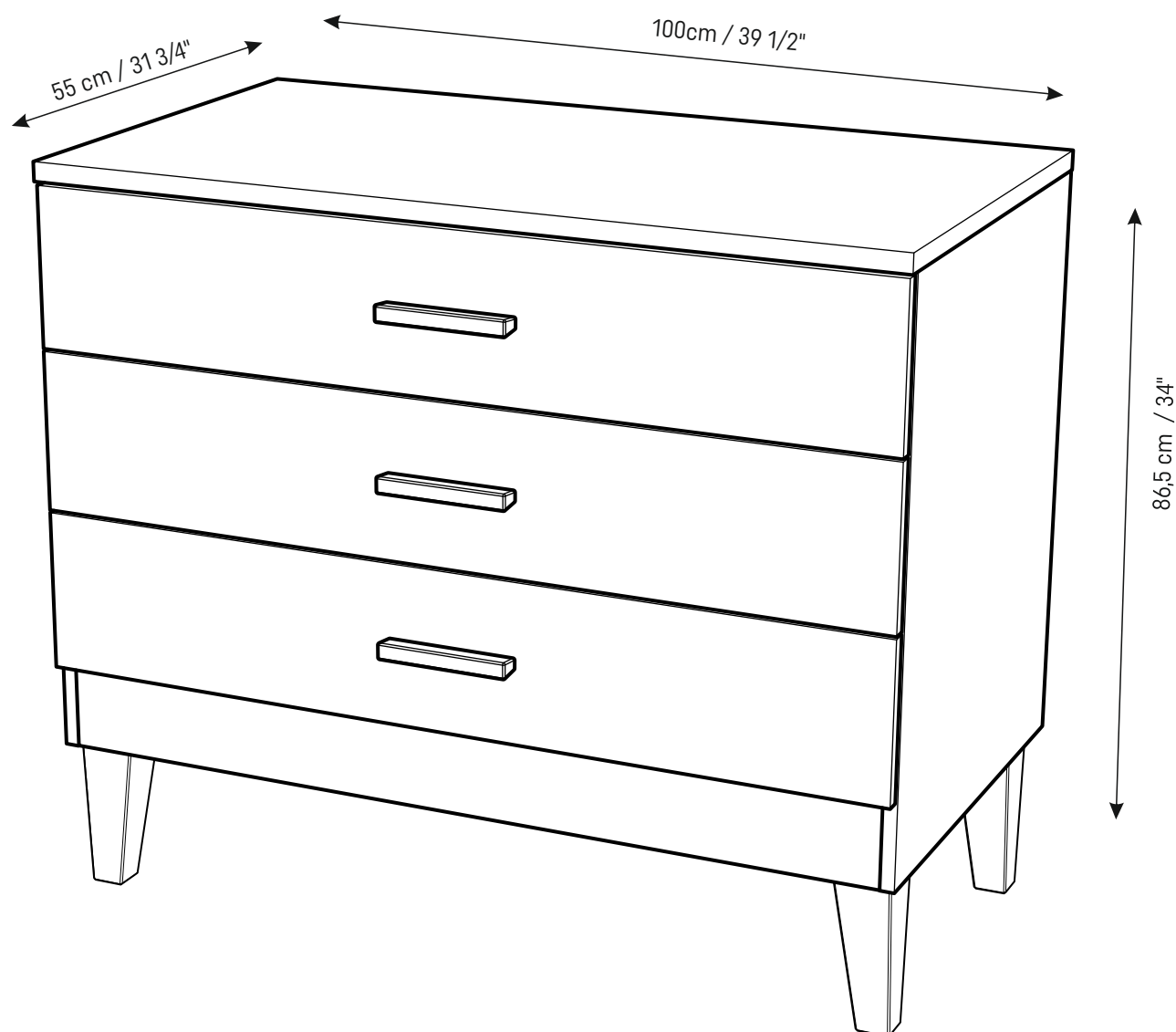


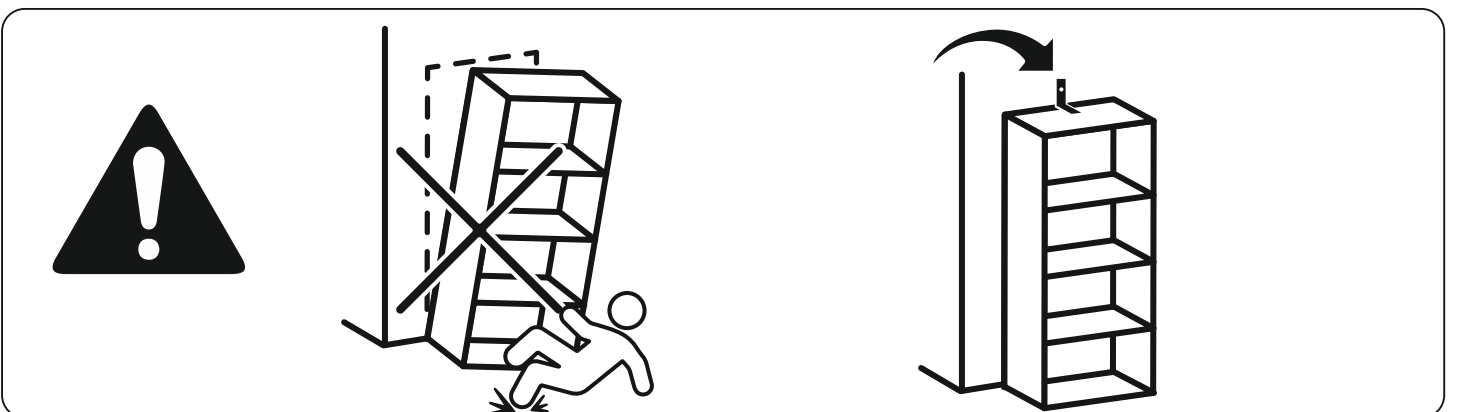
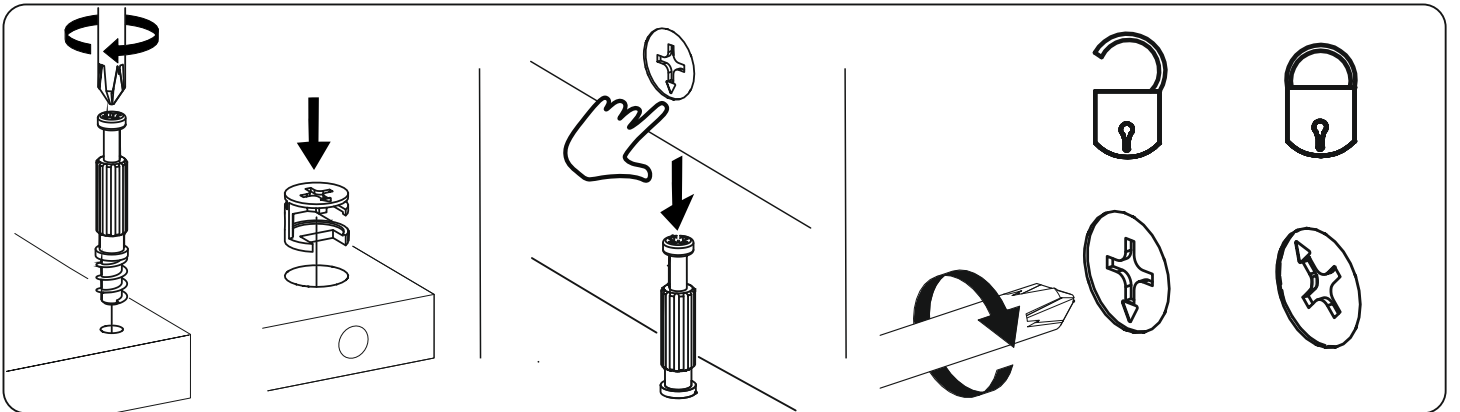
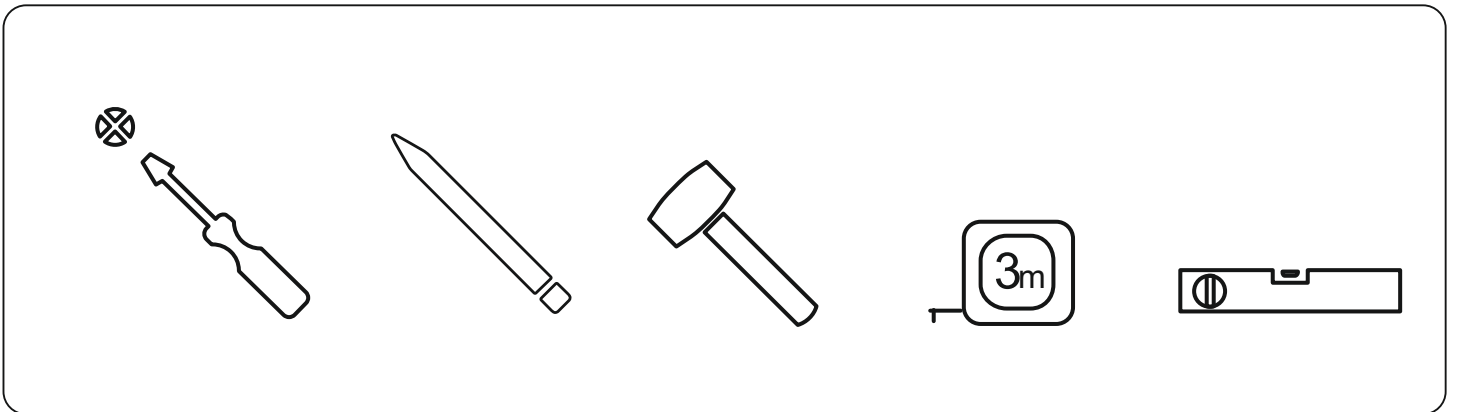
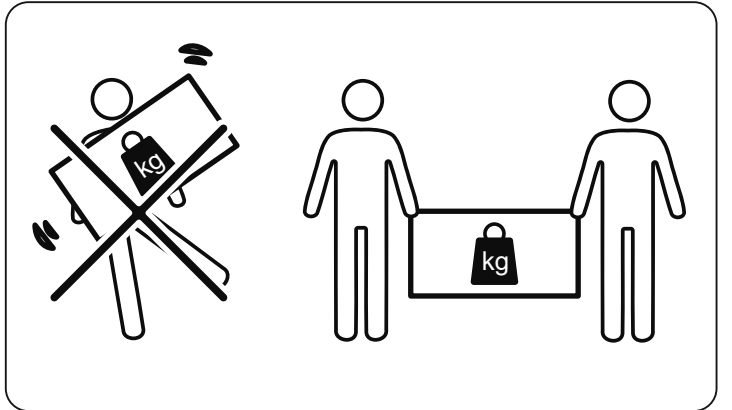
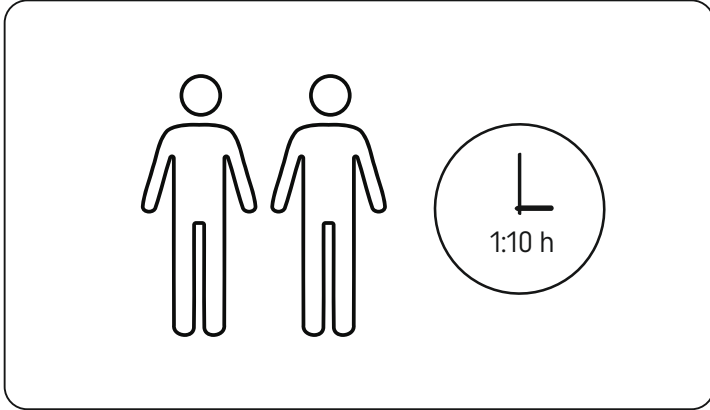
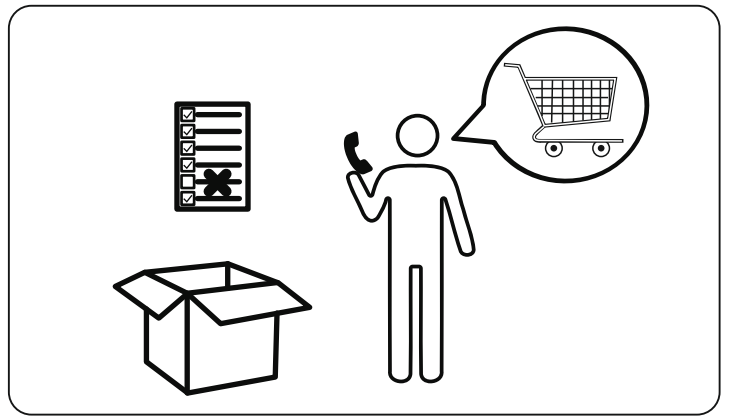
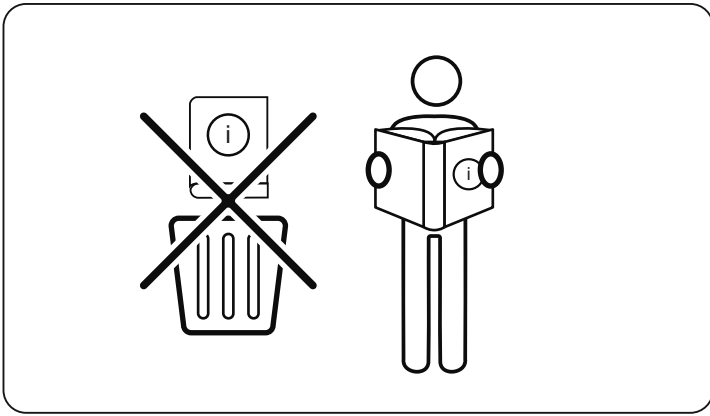
LOUNGE

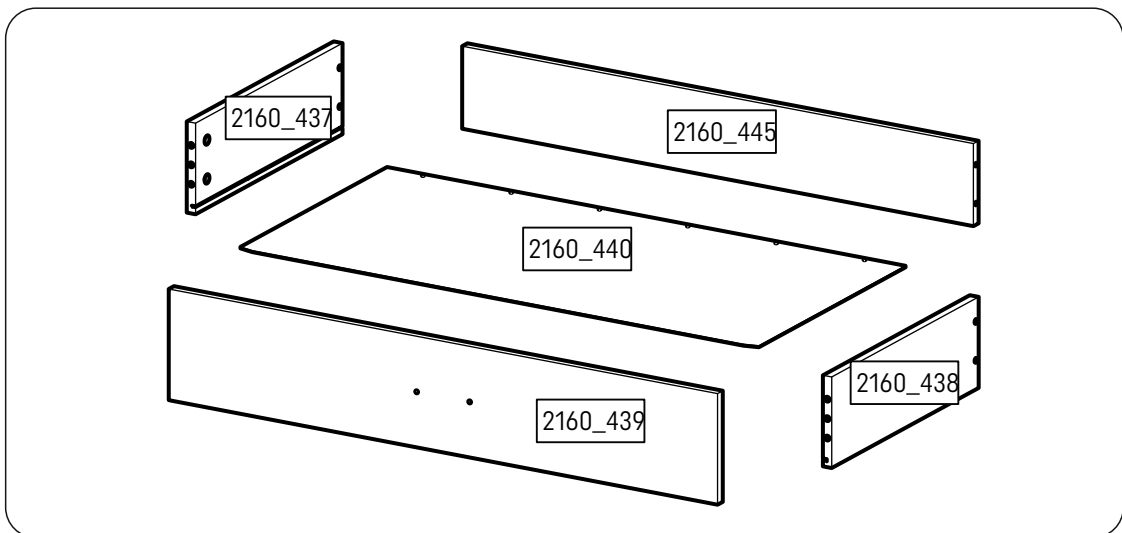
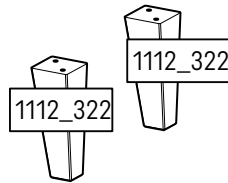
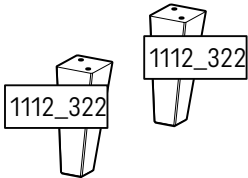
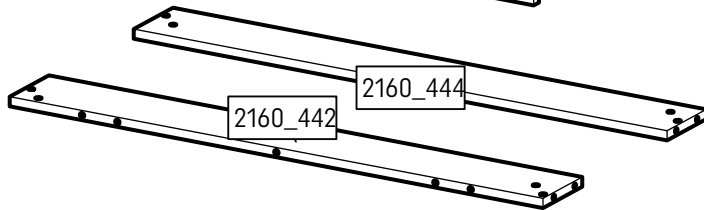
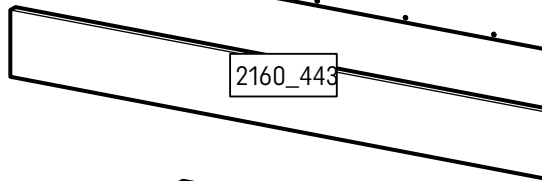
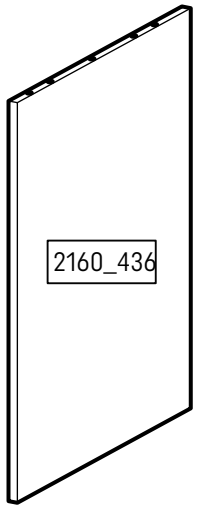
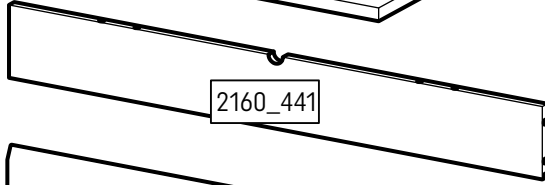
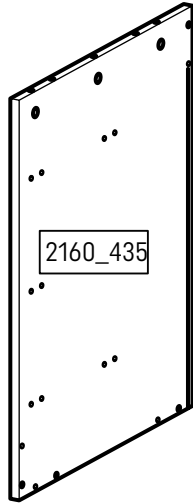
4015771_001




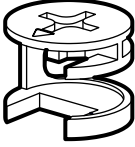
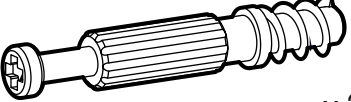


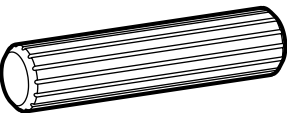

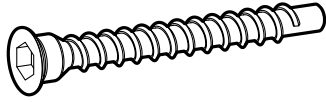
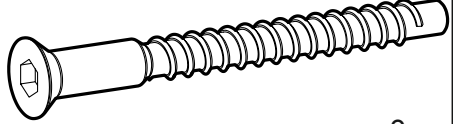
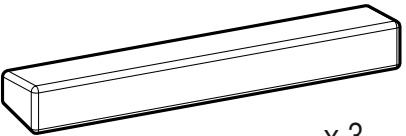
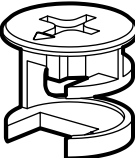
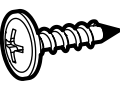
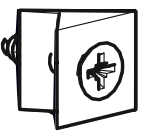
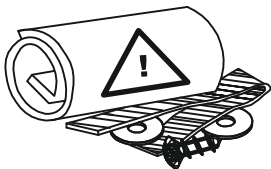
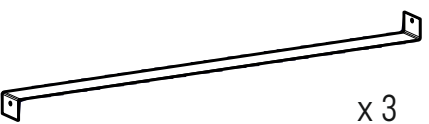
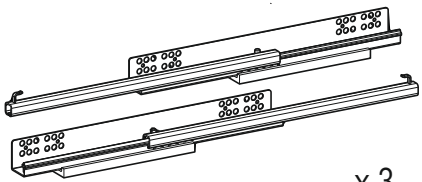
PL • vox.pl
EU • voxfurniture.com
US • voelkelcorp.com

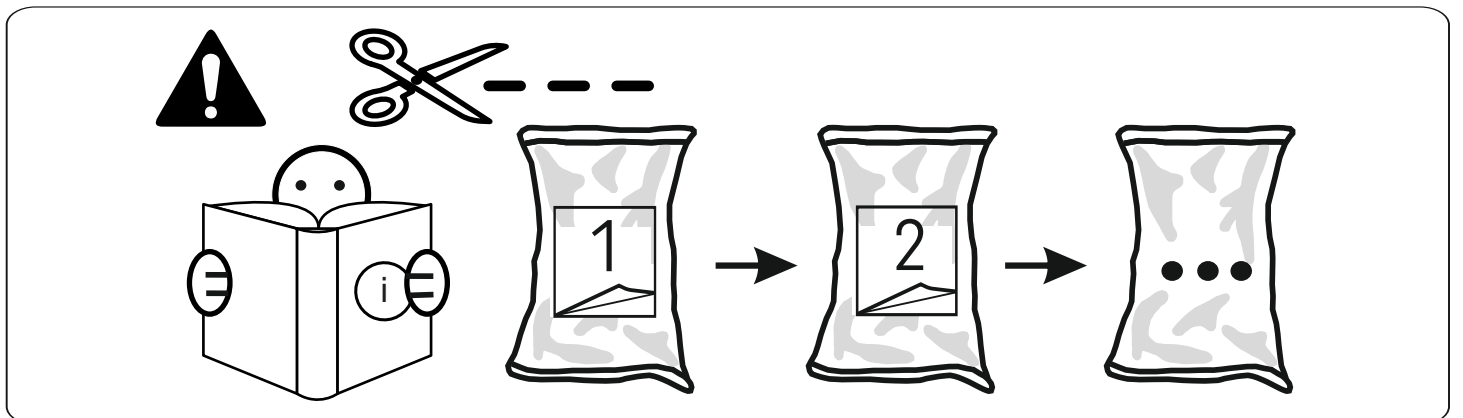
Meble VOX sp. z o.o. sp. k.
ul. Gdyńska 143
62-004 Czerwonak

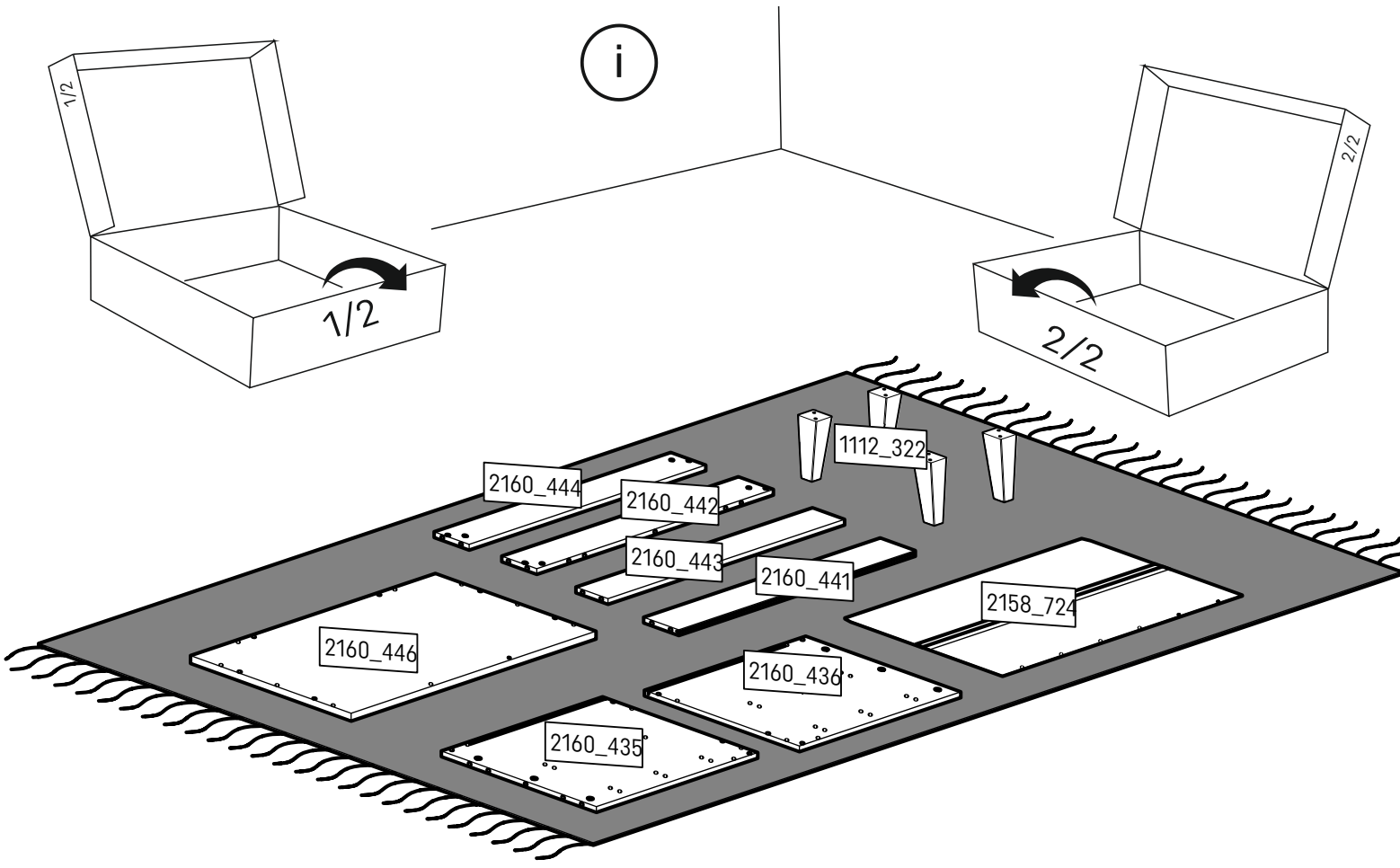




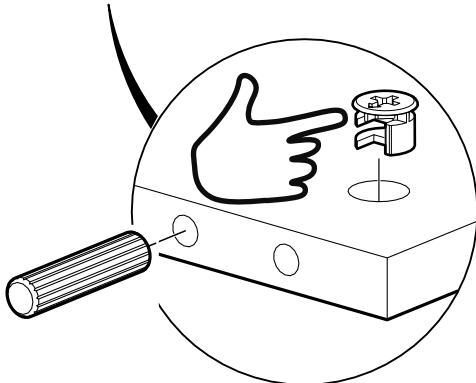
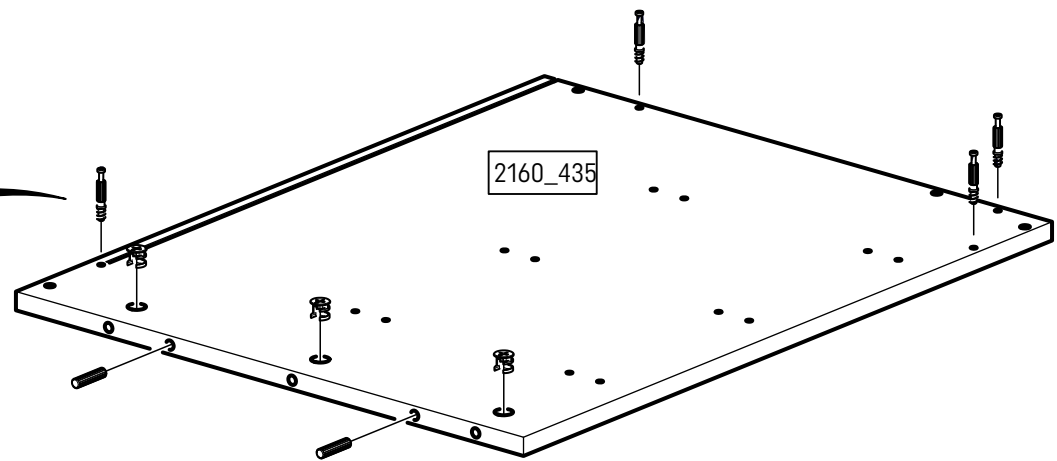
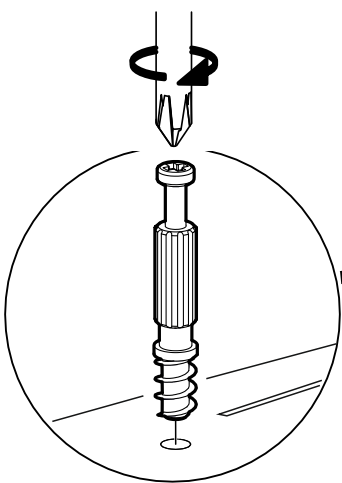
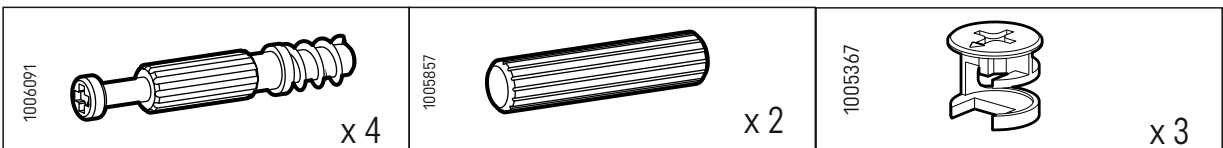
x 3

1000806  x 1	1005990  x 7	1006091  x 31
1005713  x 24	1006012  x 24	1005857  x 22
1006031  x 6	1005876  x 12	1005962  x 8
1114564  x 3	1005367  x 24	1005926  x 6
1006022  x 8	1000893  x 1	1002479  x 3
1003845  x 3		



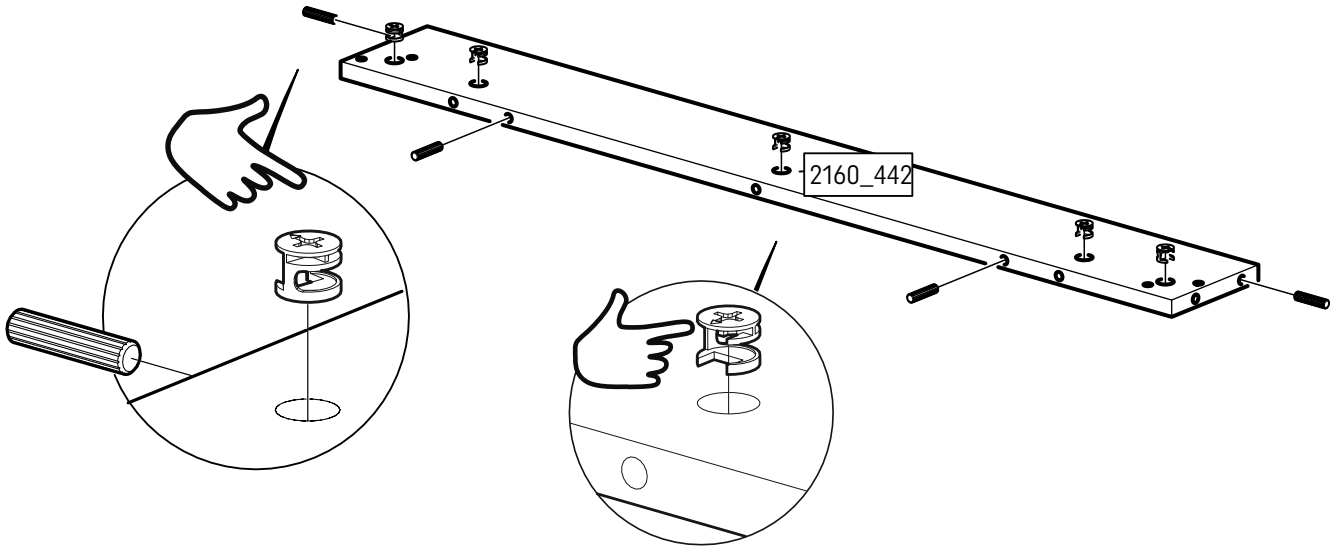
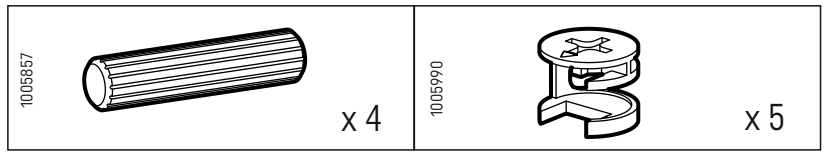


1

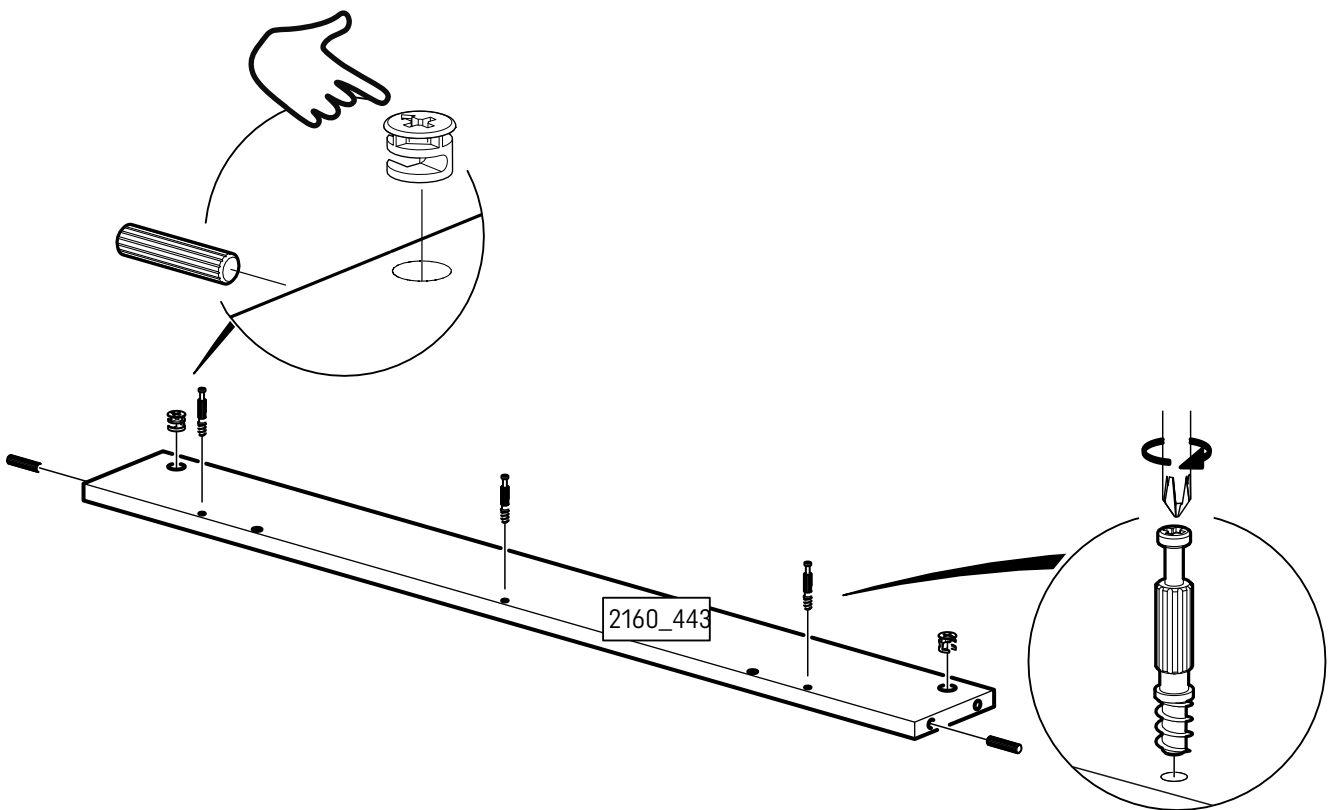
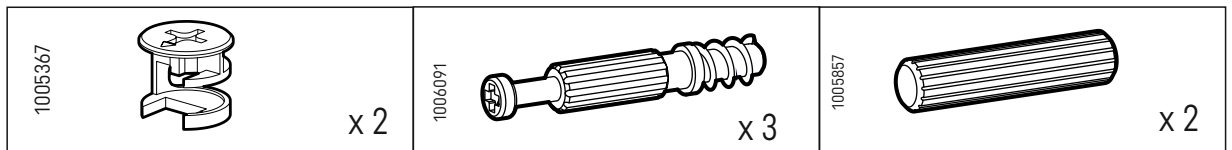


1

2

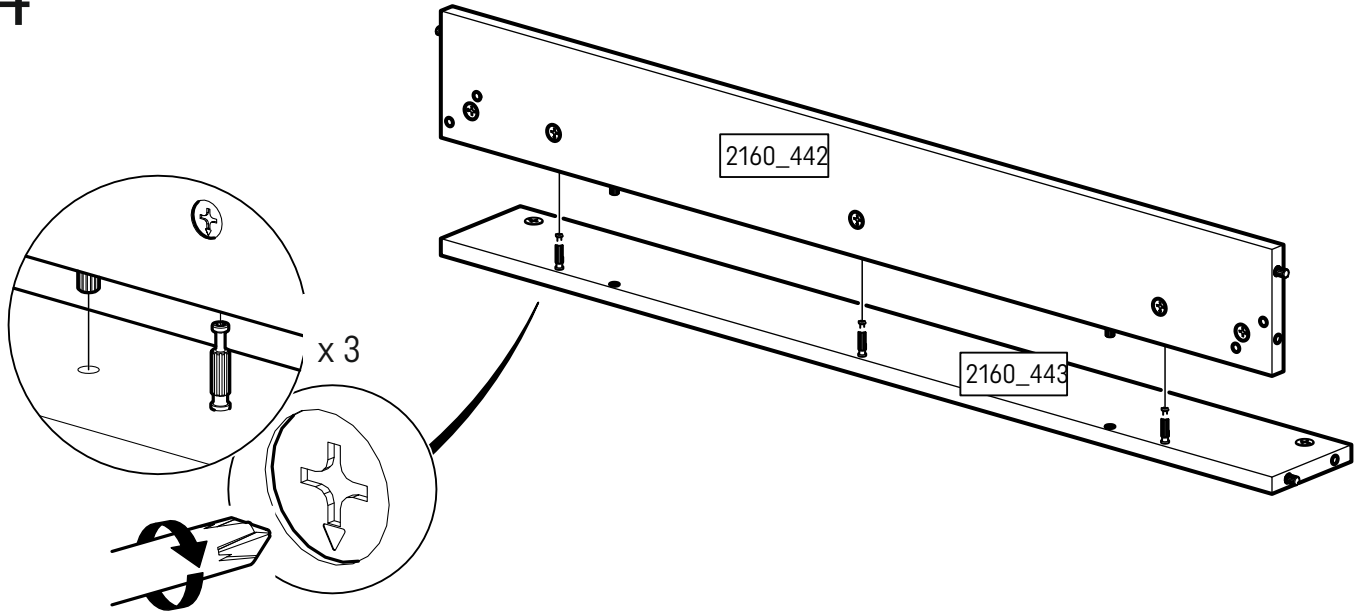


3

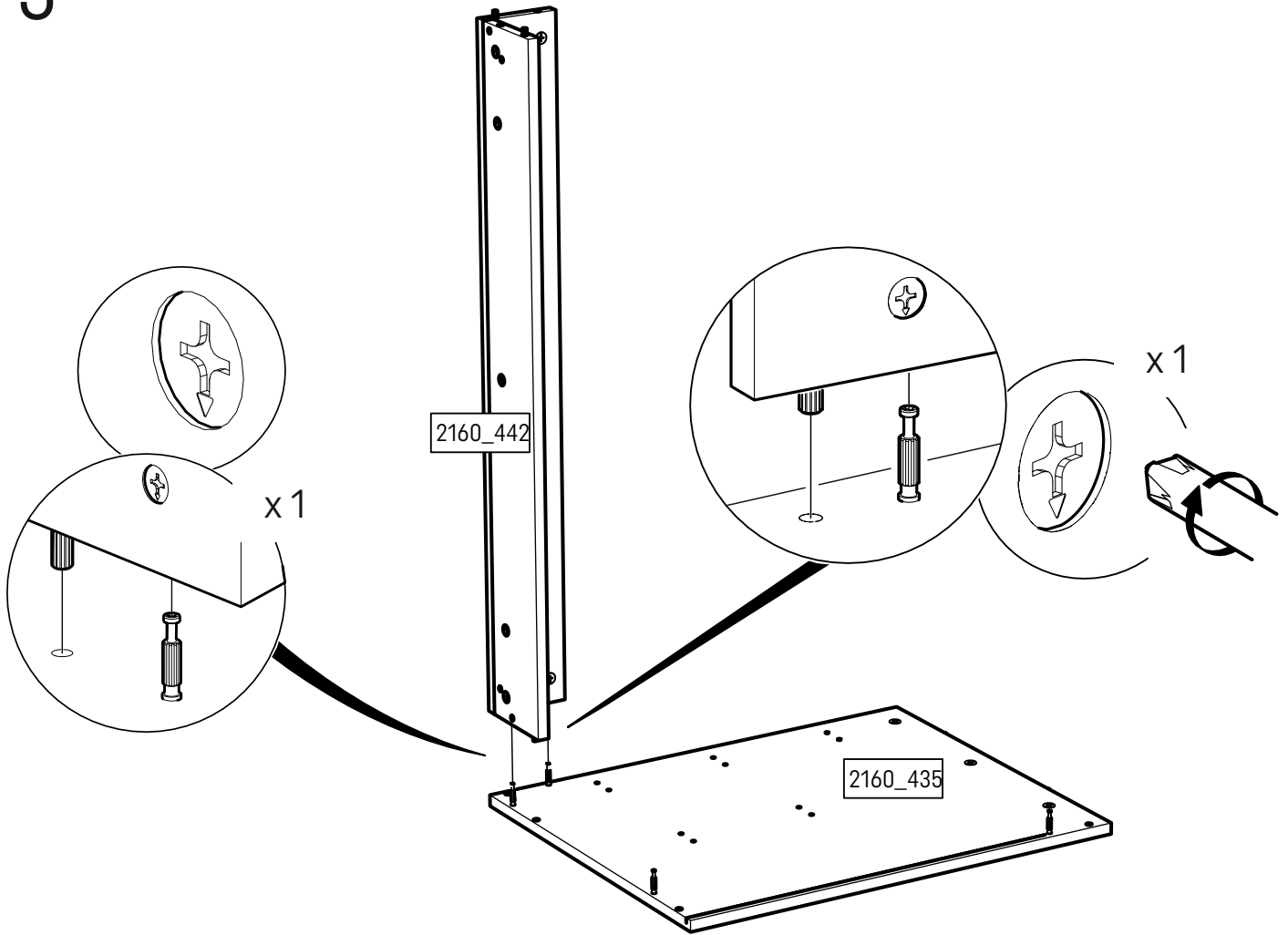


2

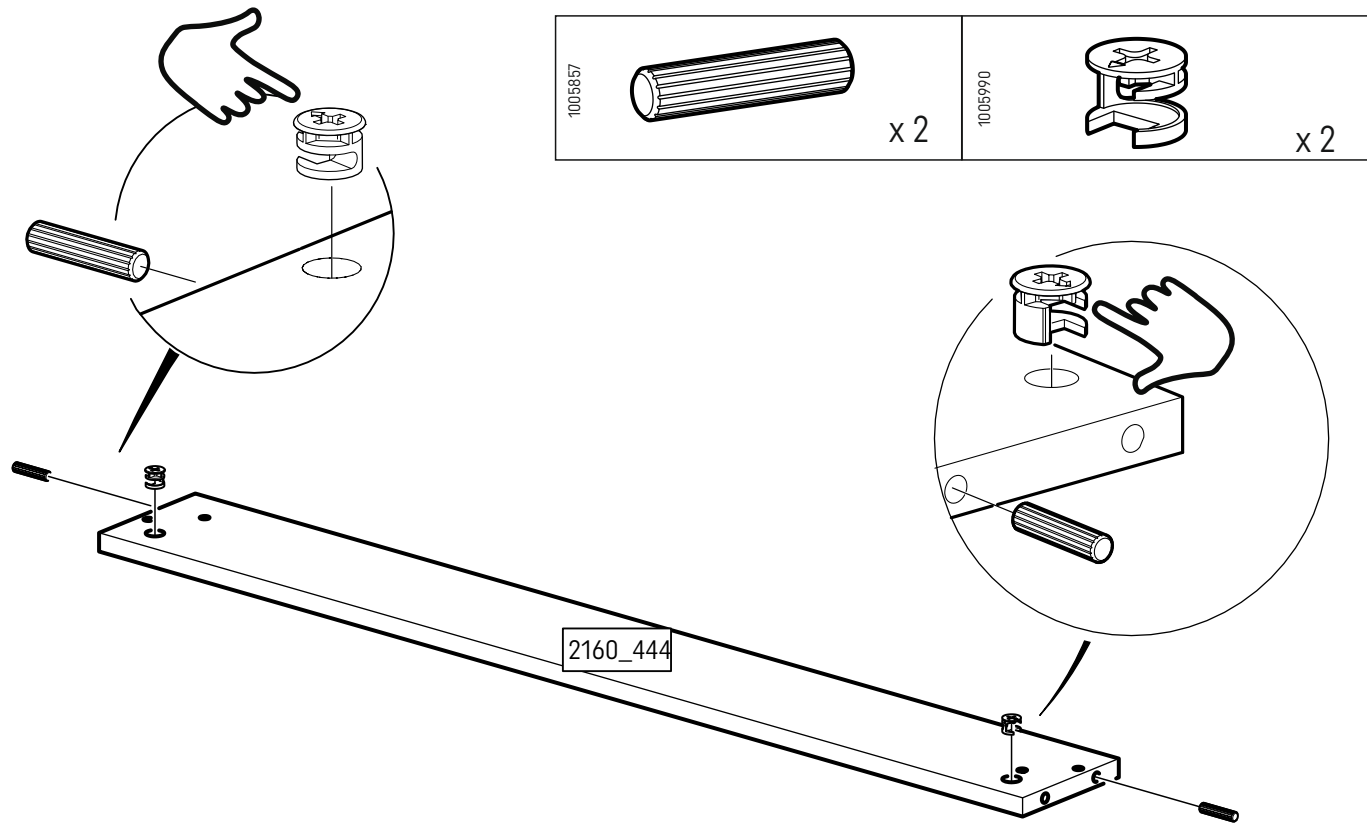
4



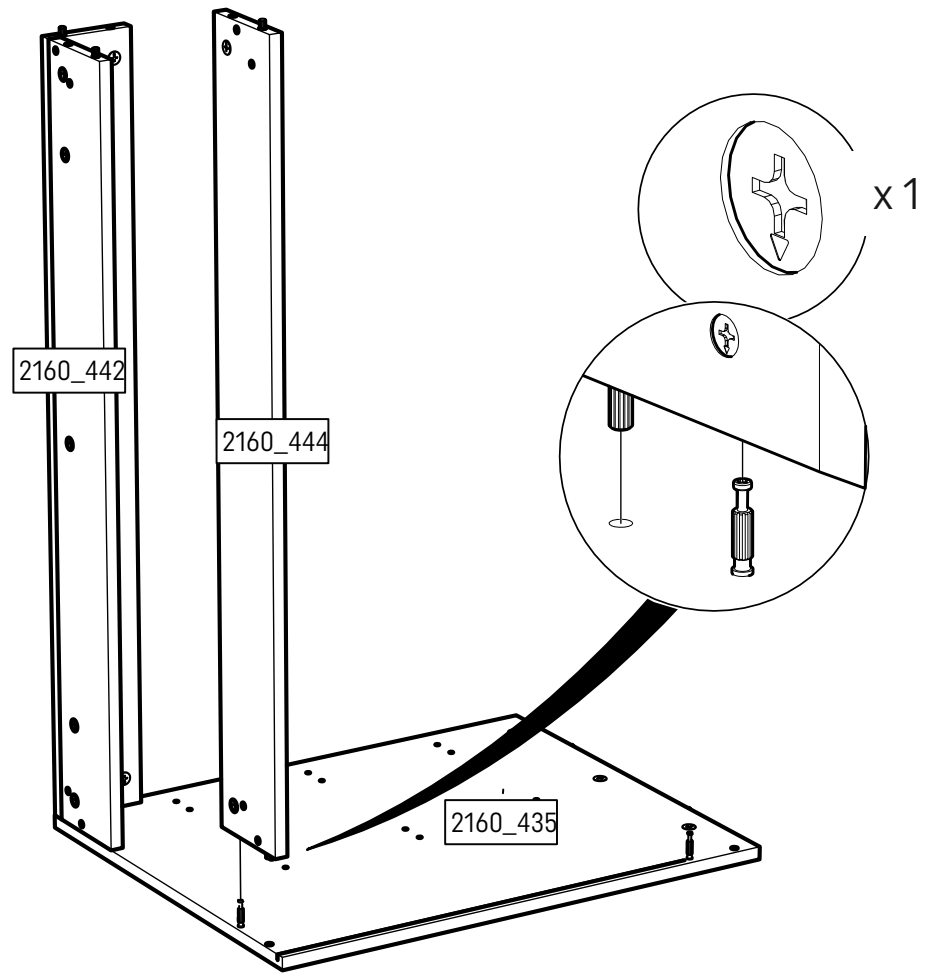
5



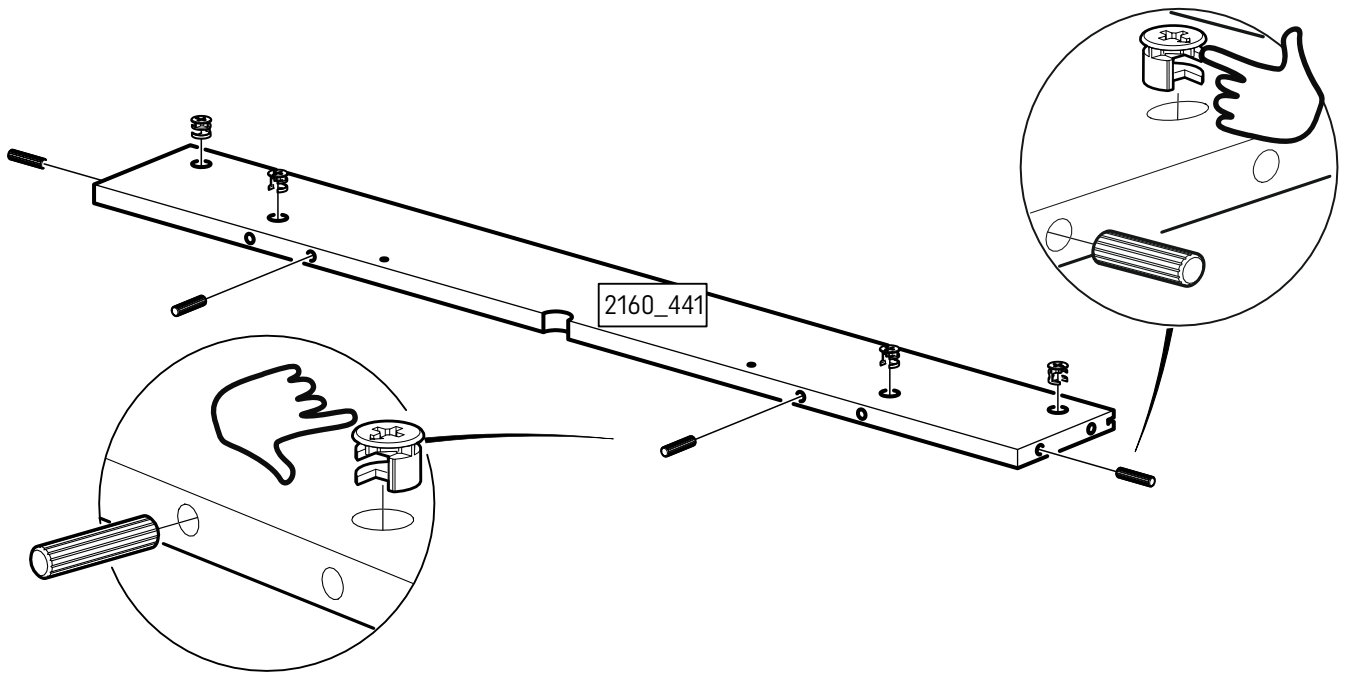
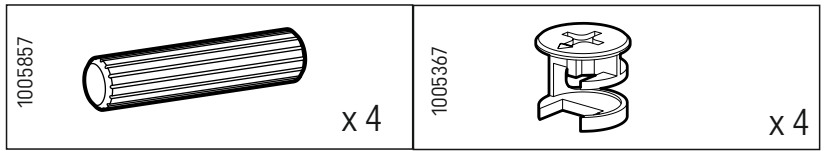
6



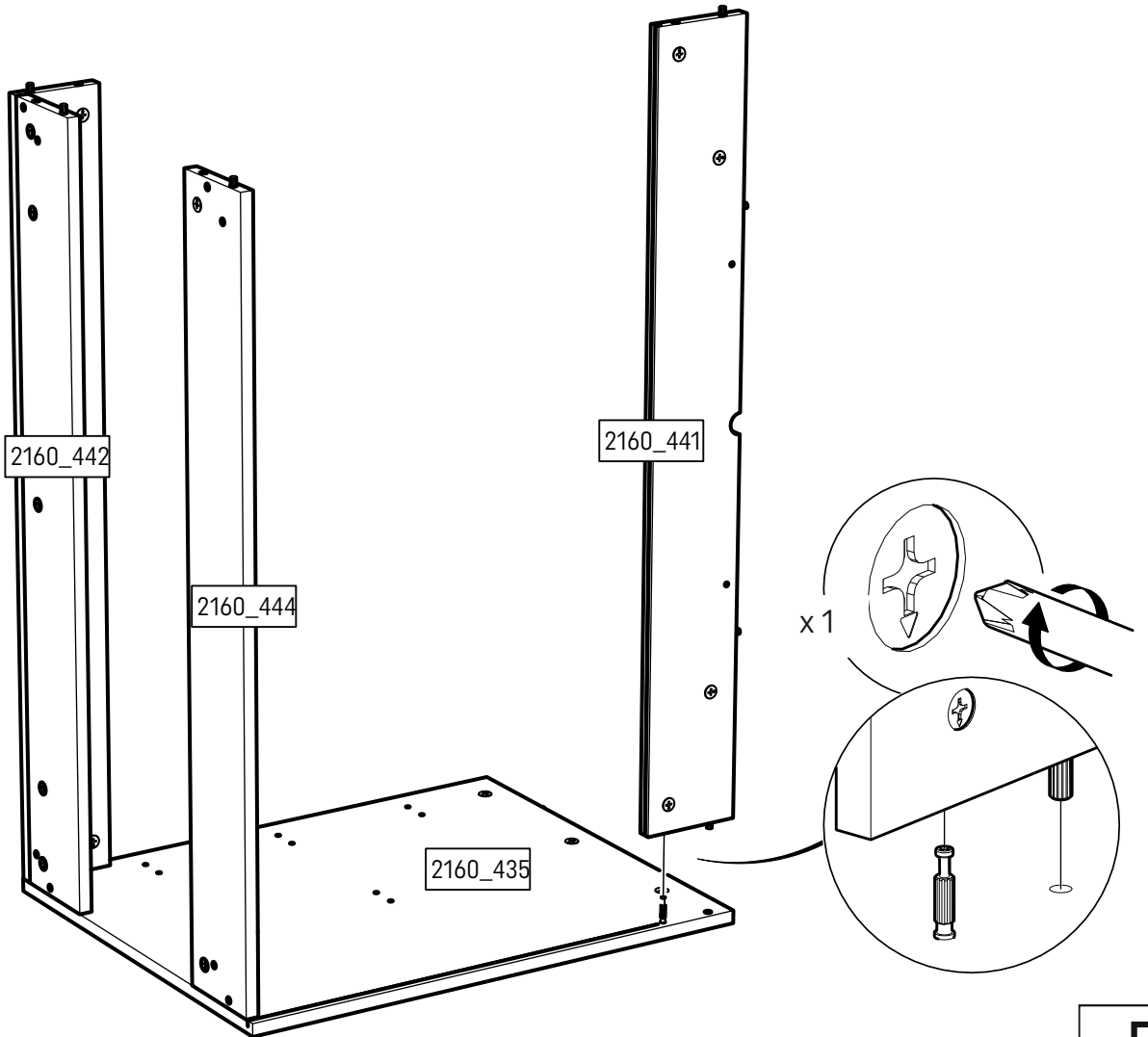
7



8

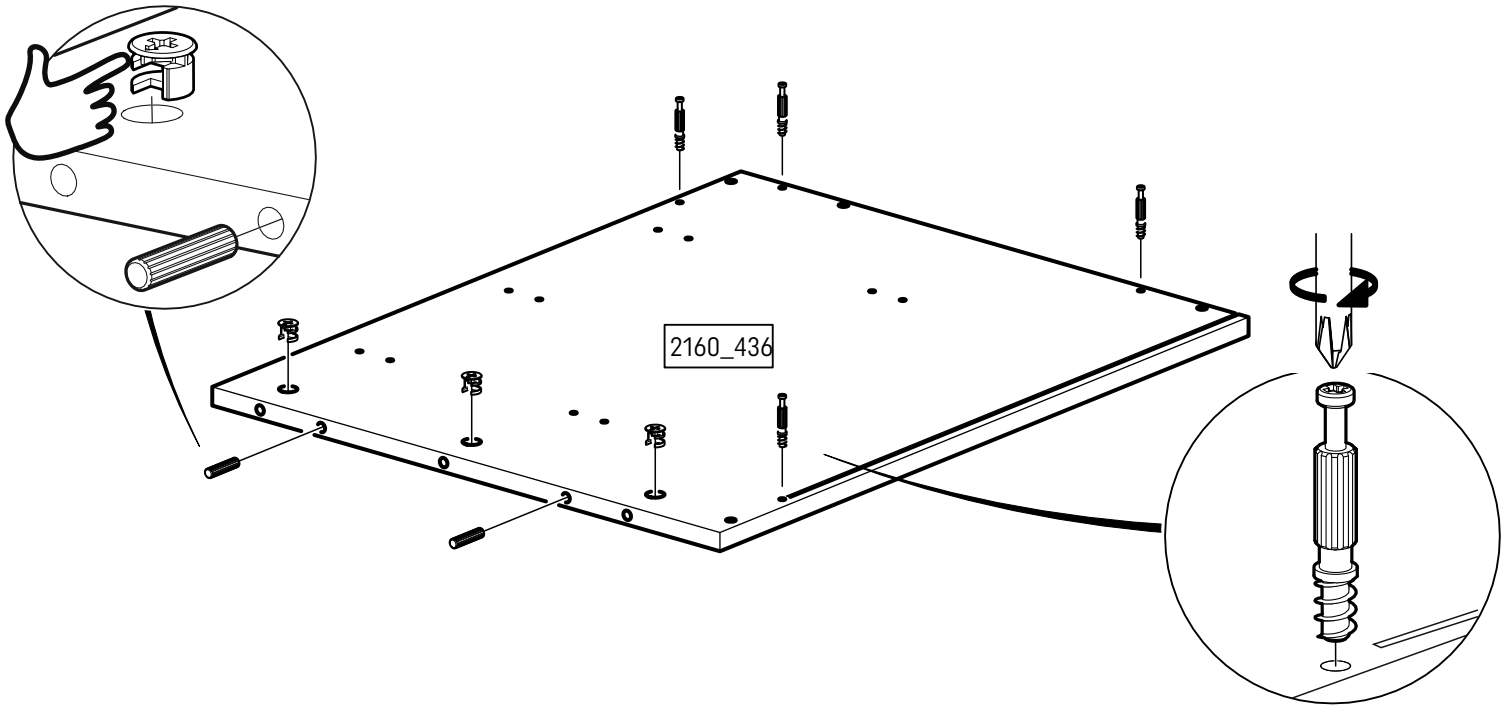
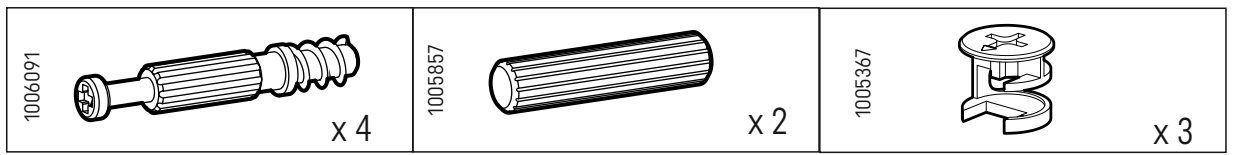


9

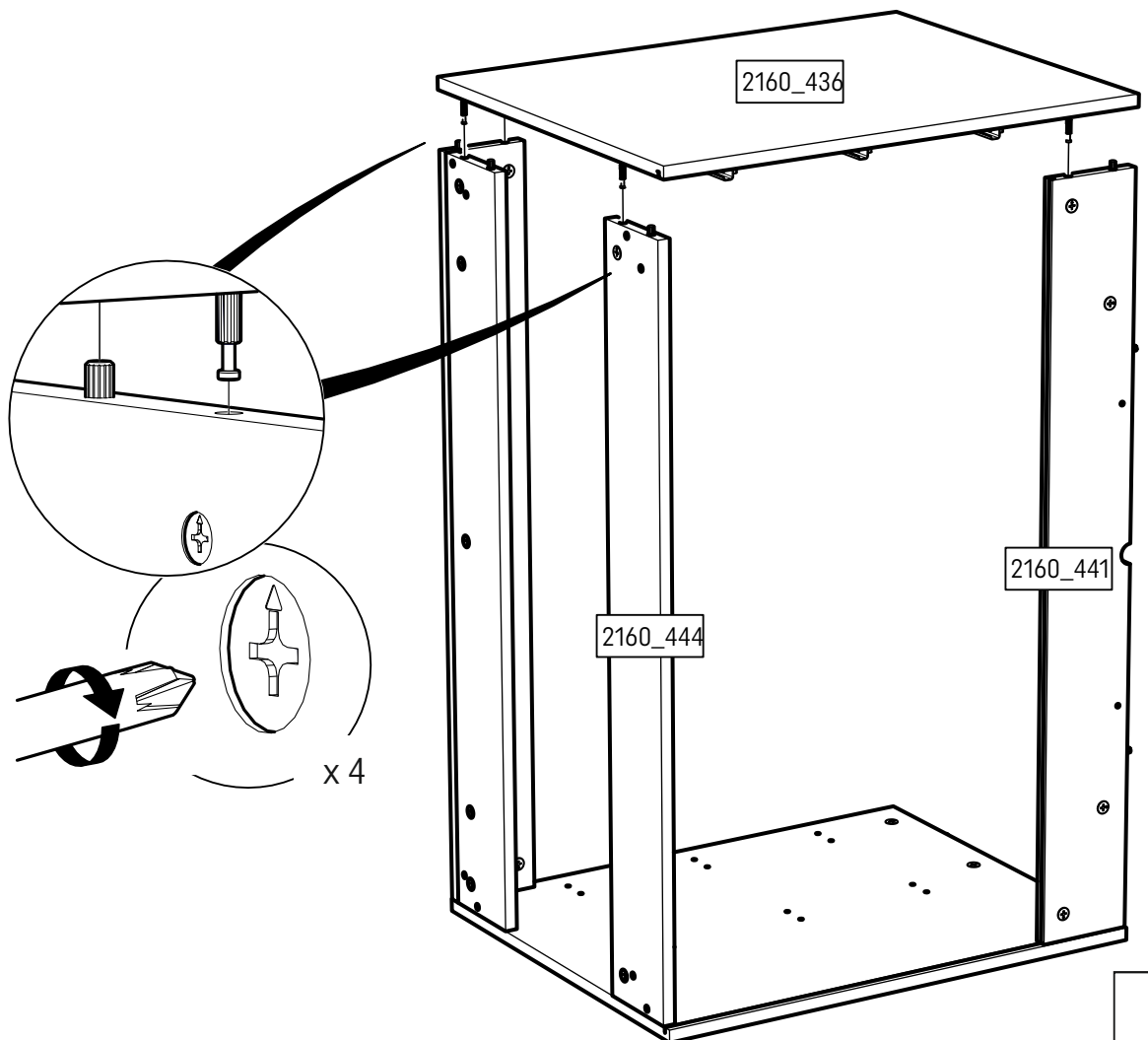


5

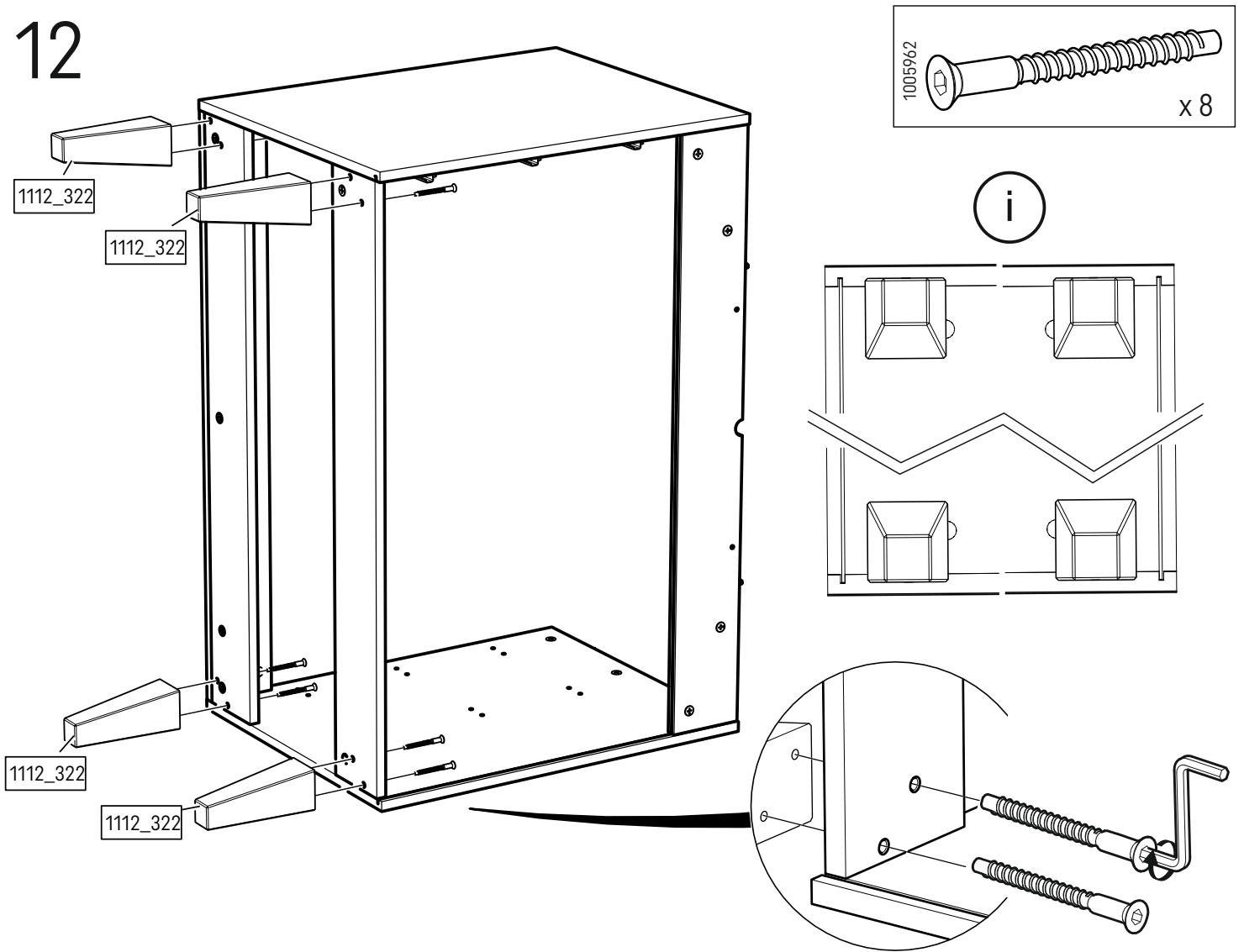
10



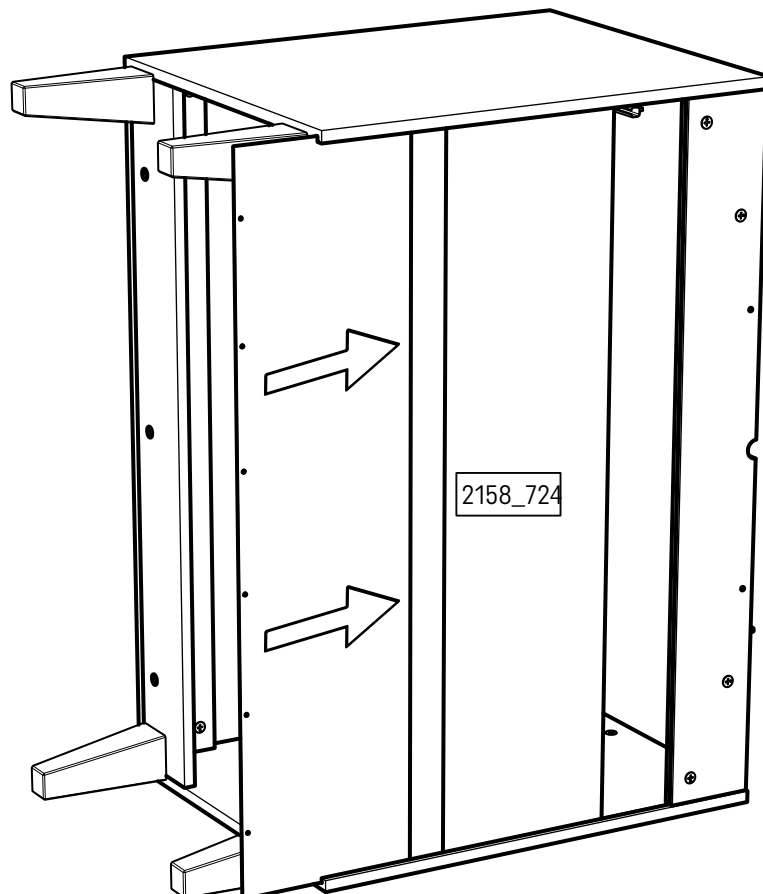
11



12

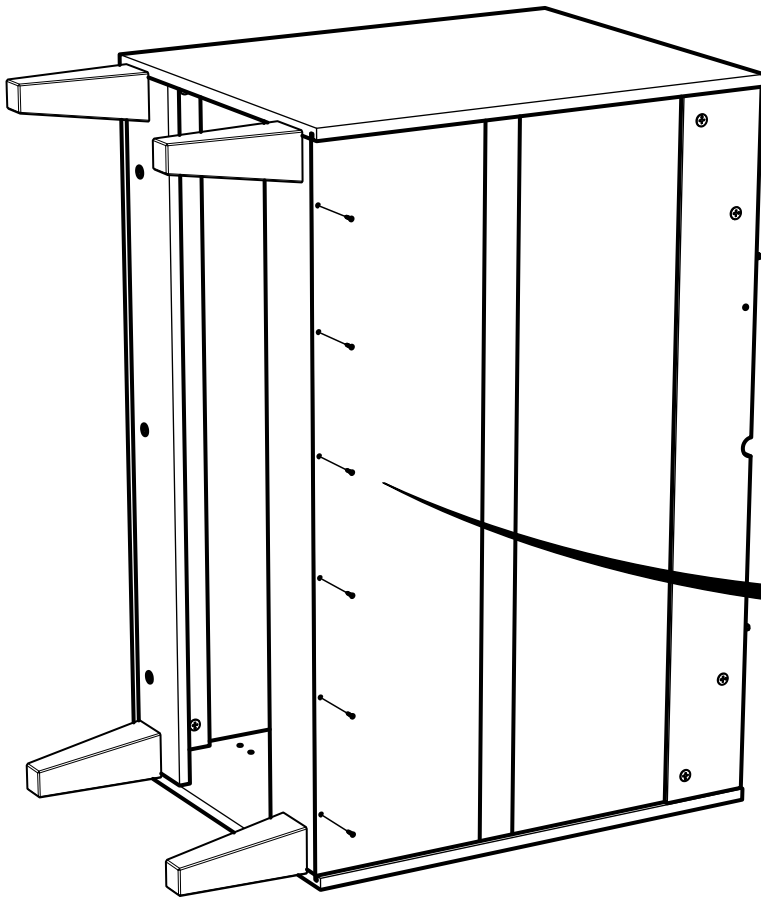



13

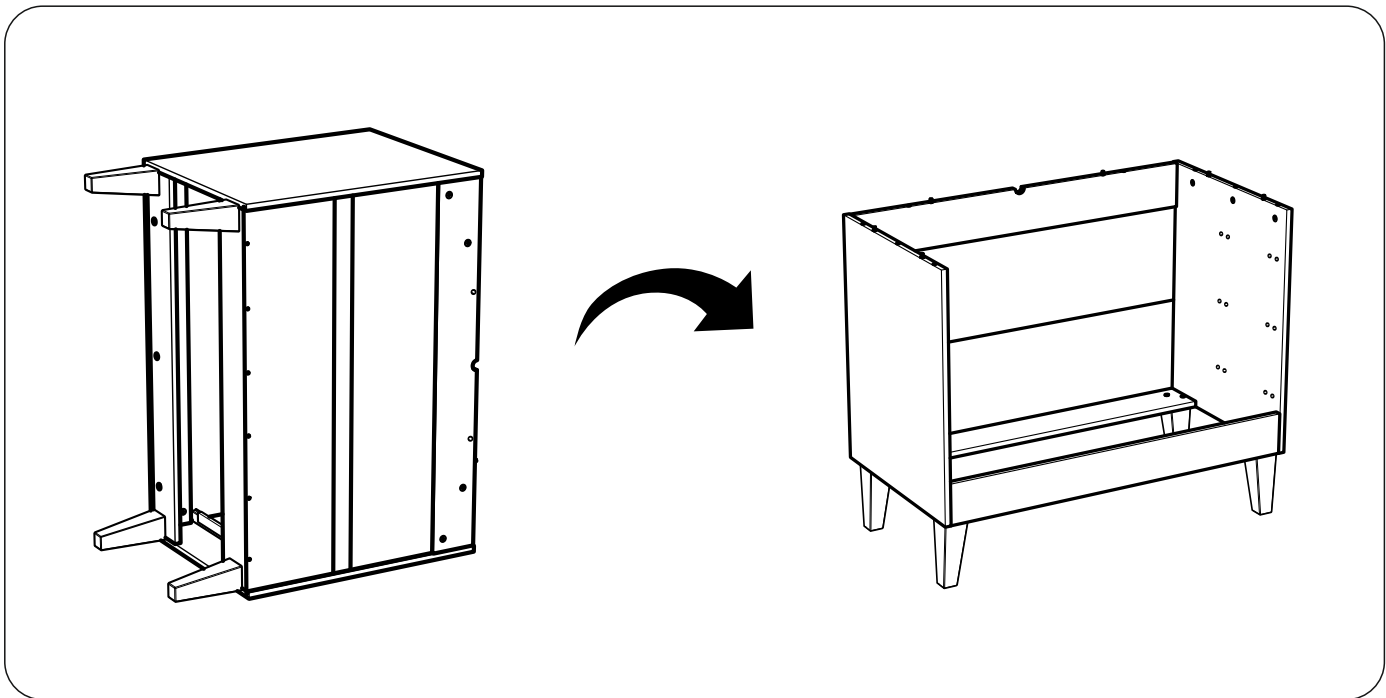
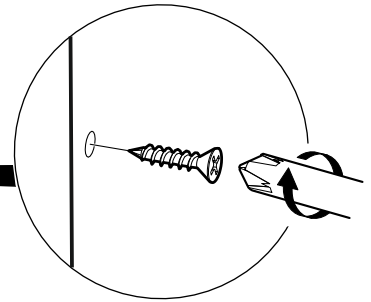


7

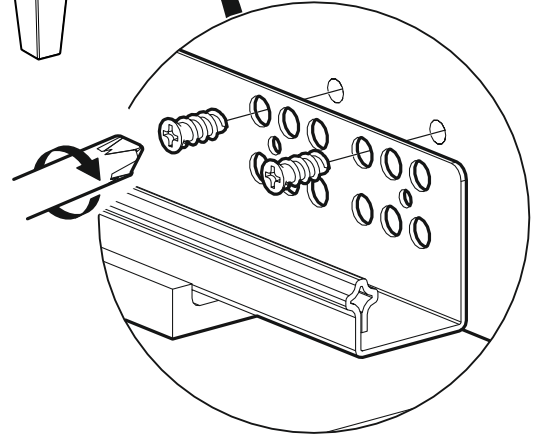
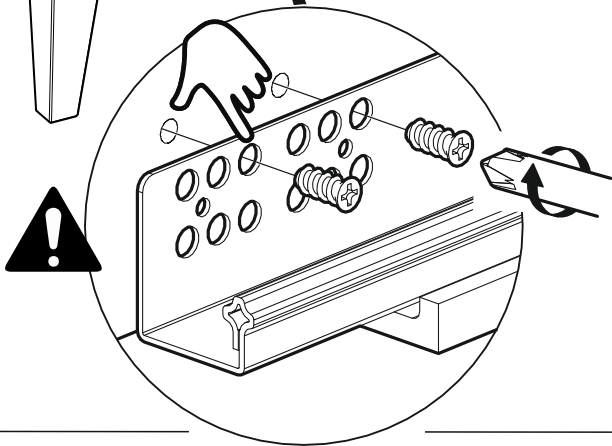
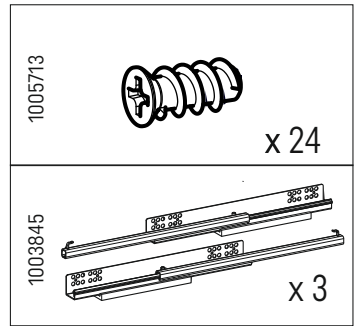
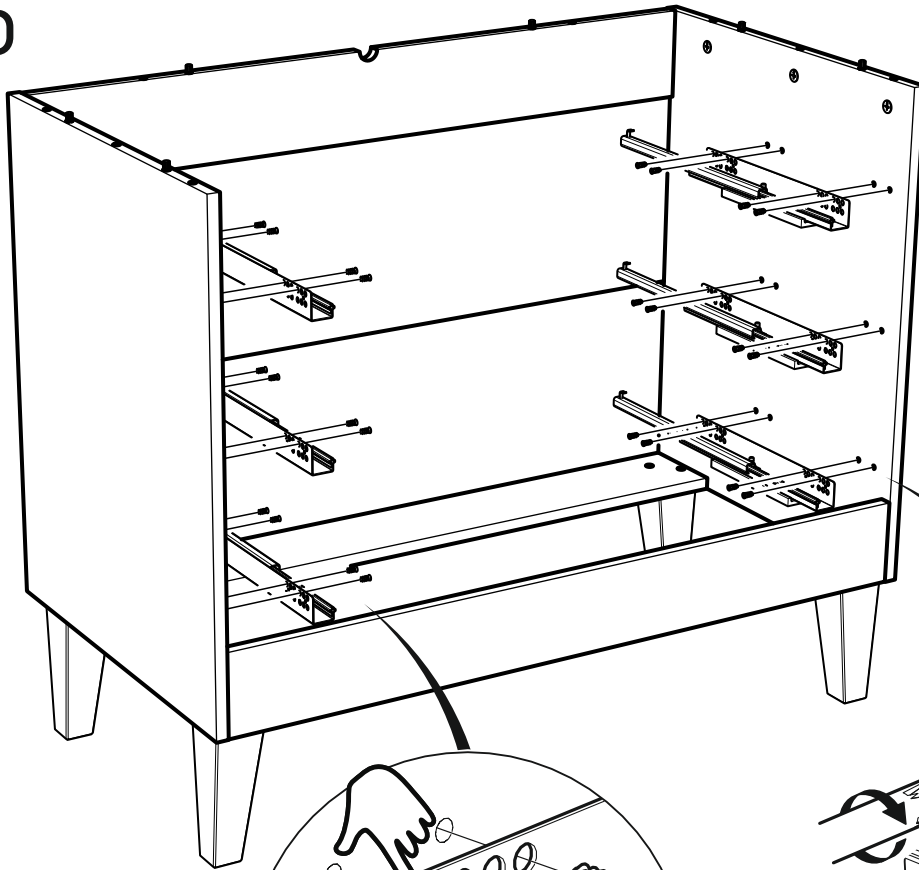
14



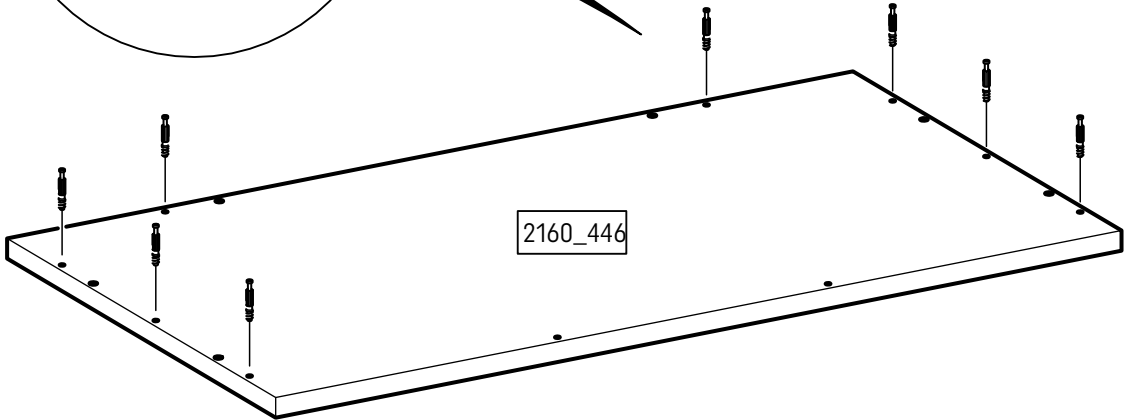
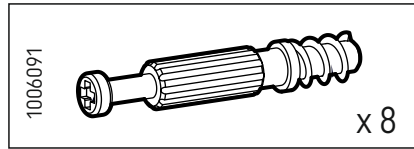
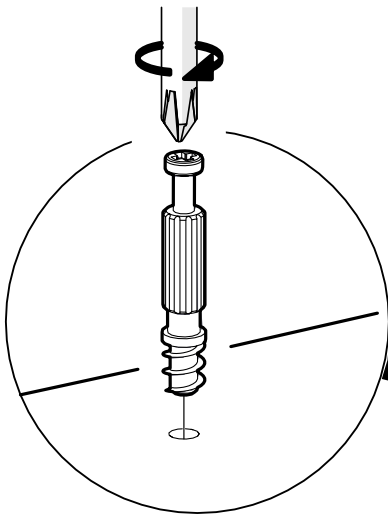
1006012  x 6



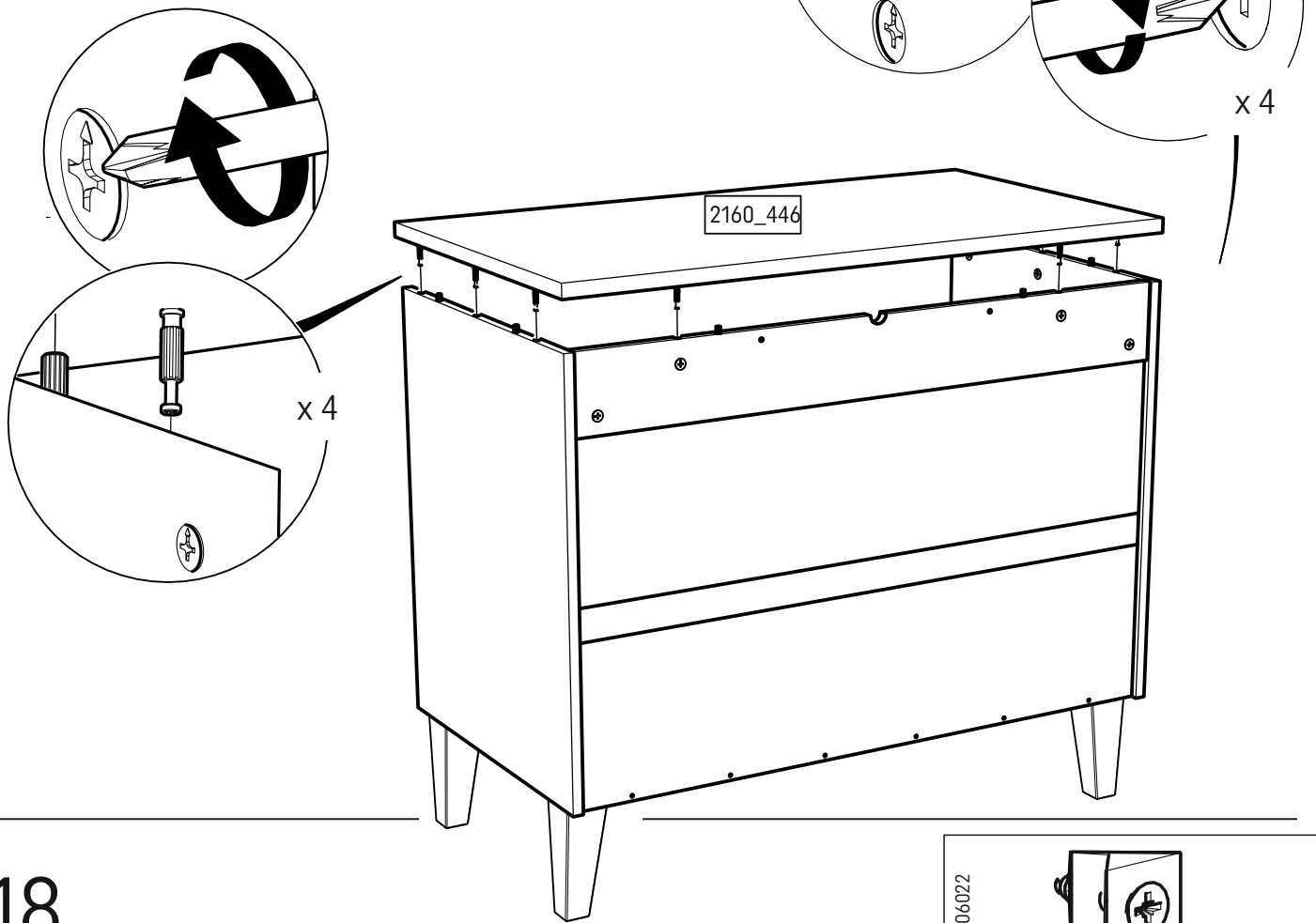
15



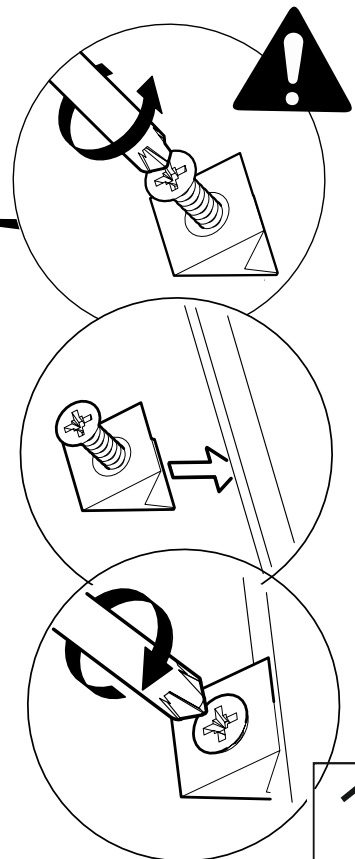
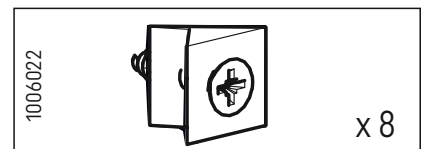
16



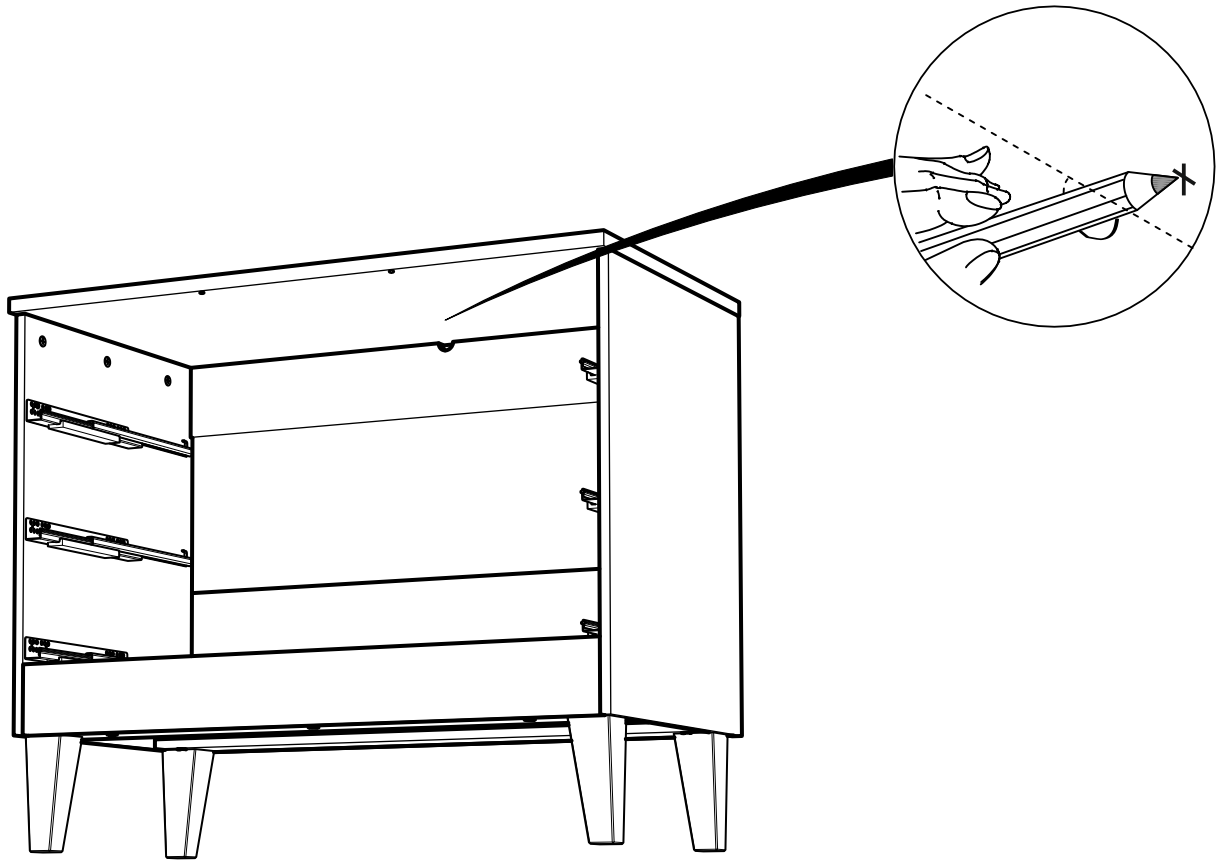
17



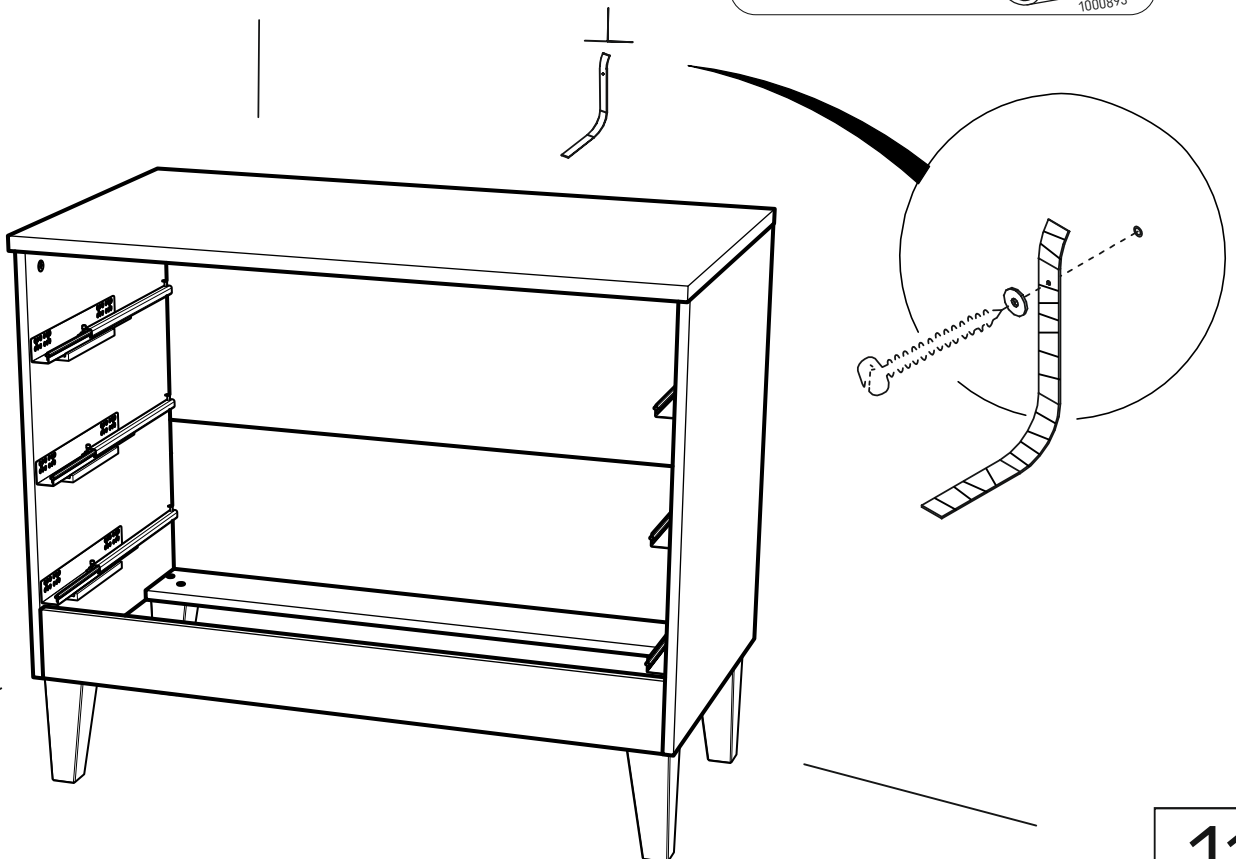
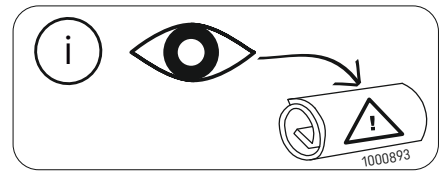
18



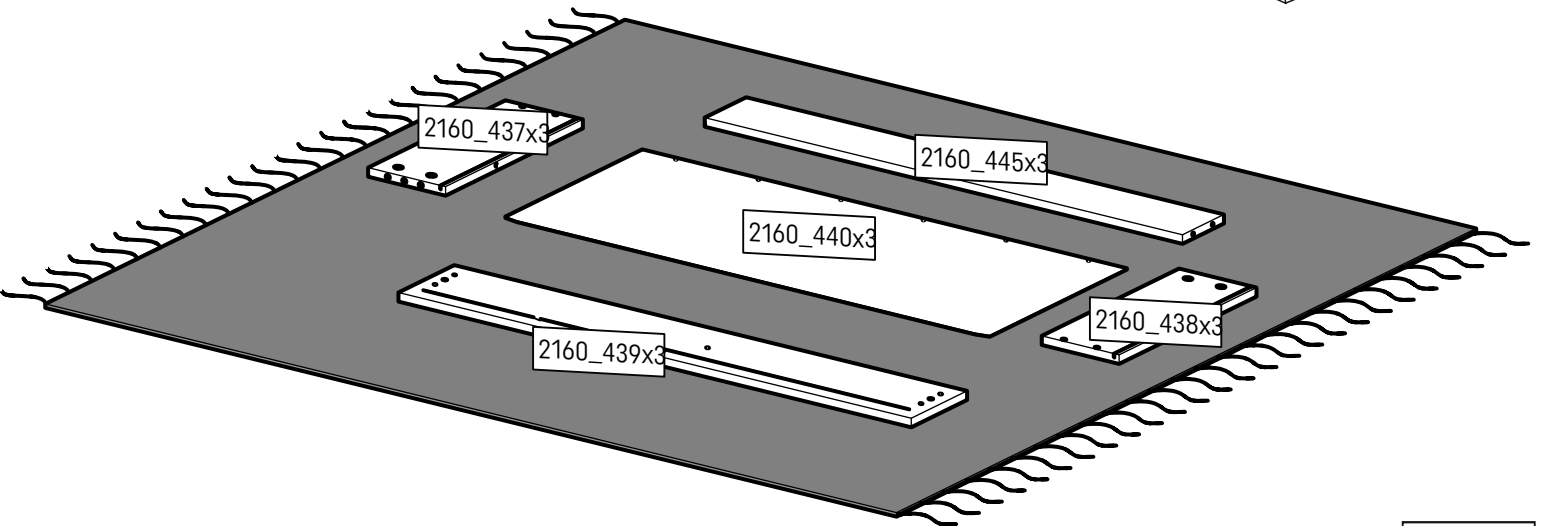
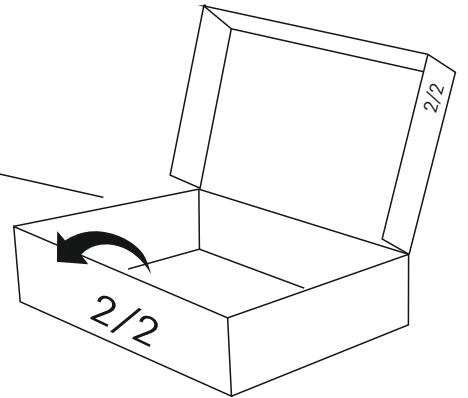
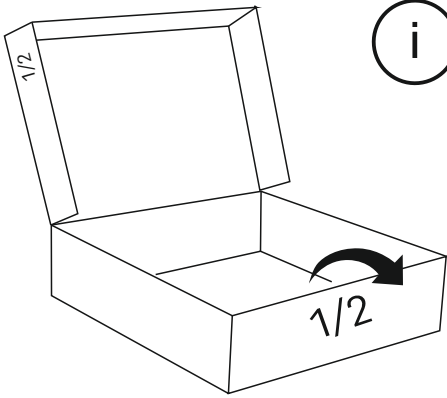
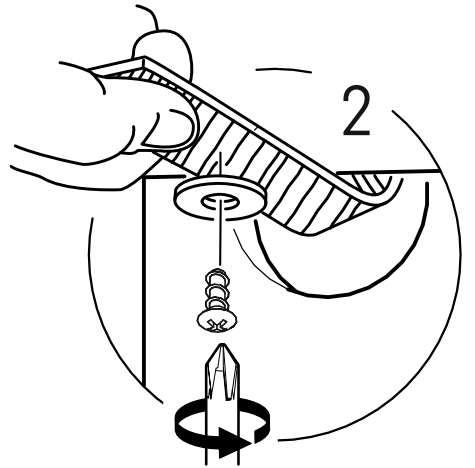
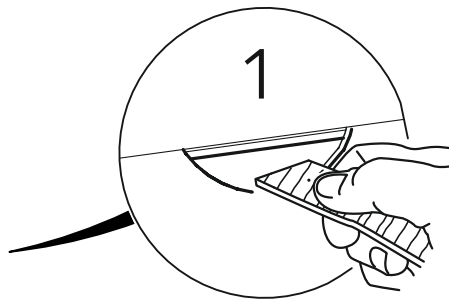
19



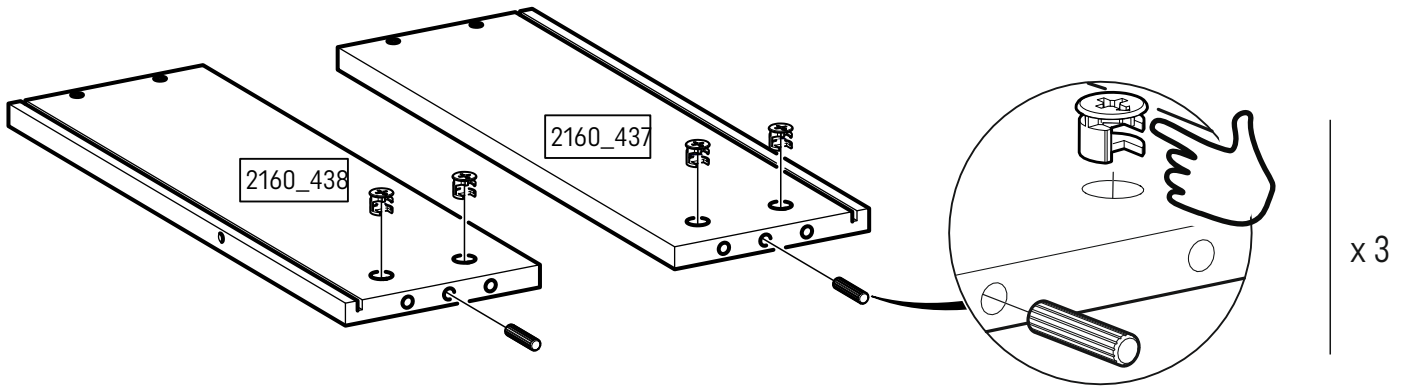
20



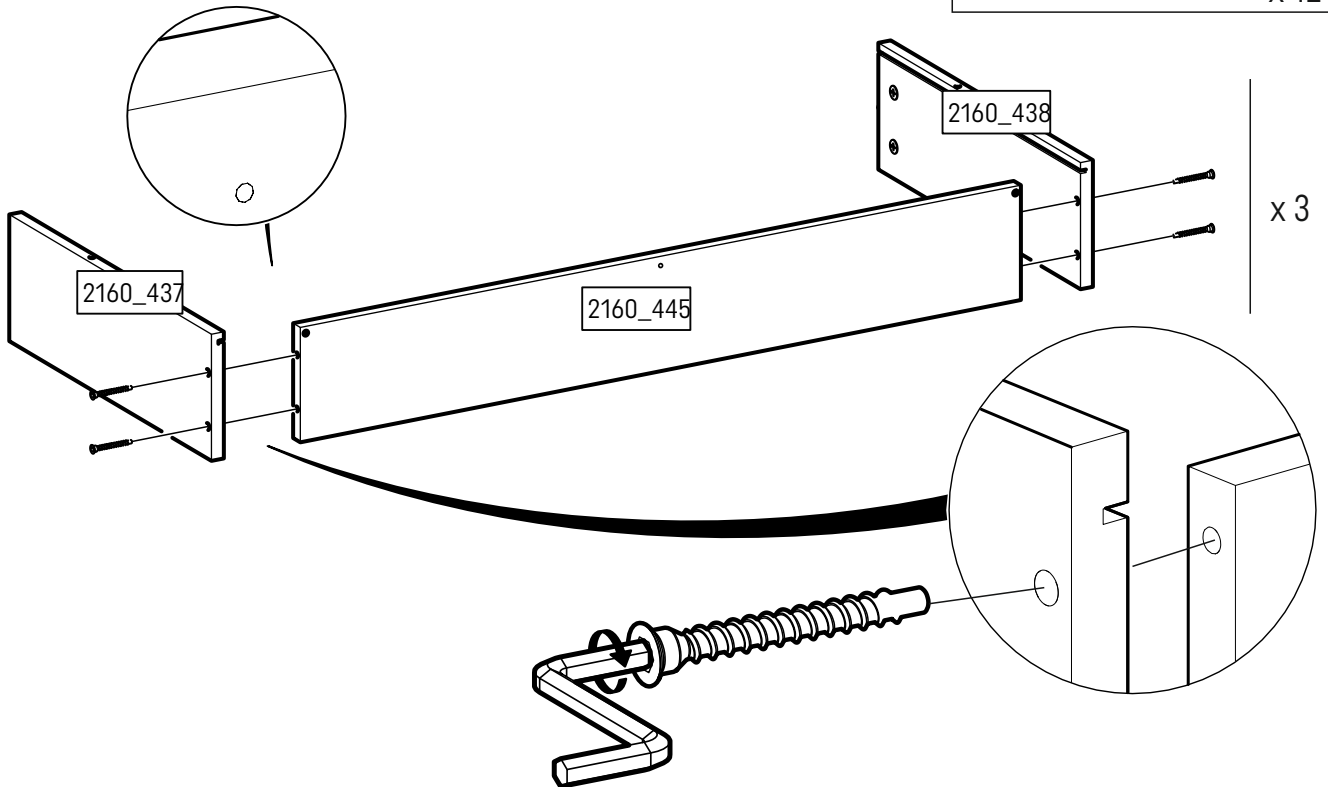
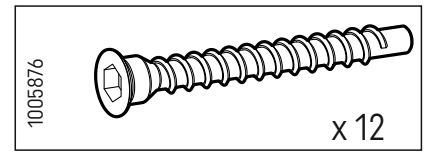
21



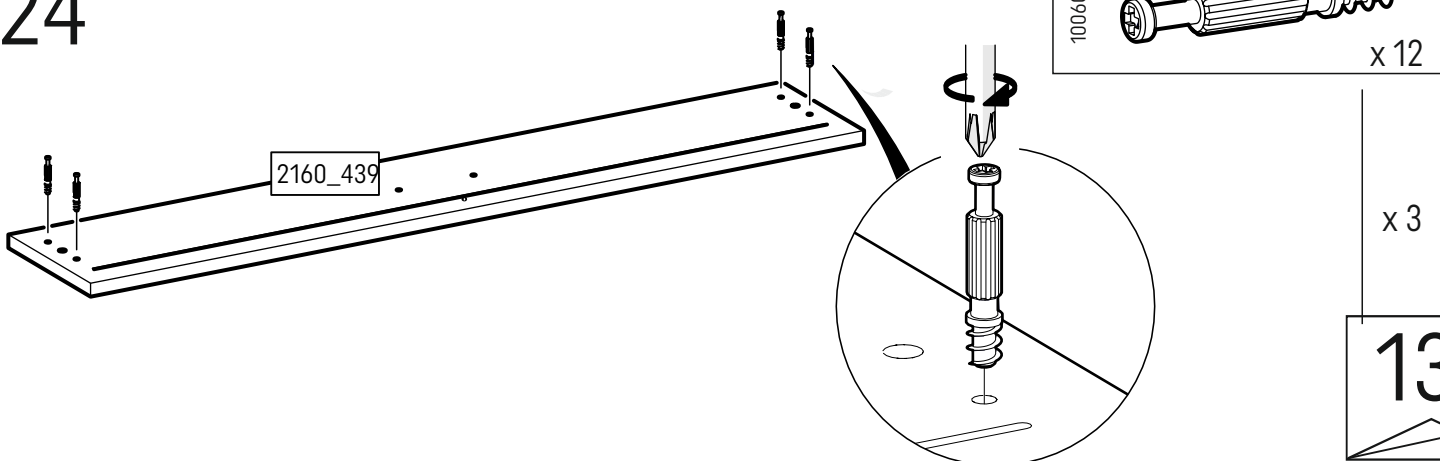
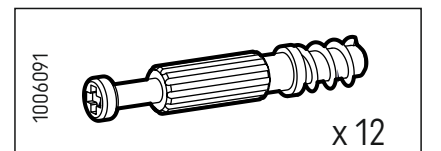
22



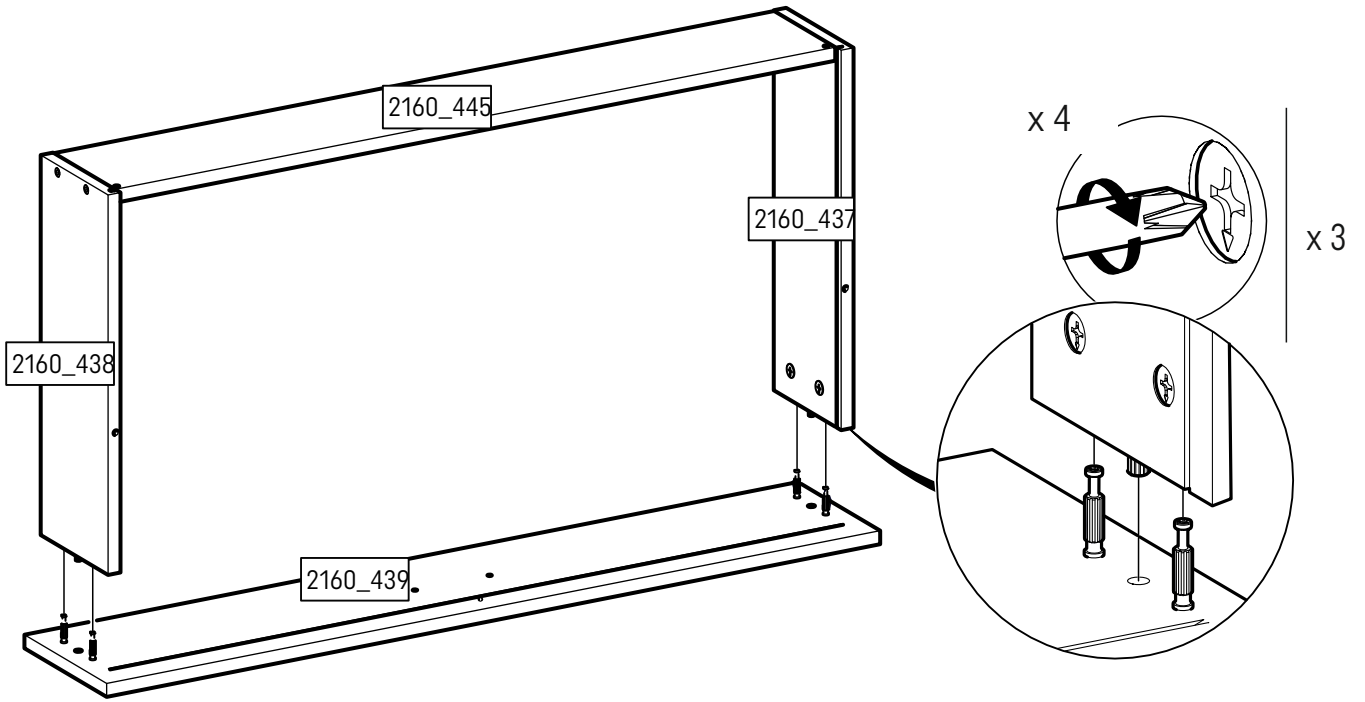
23



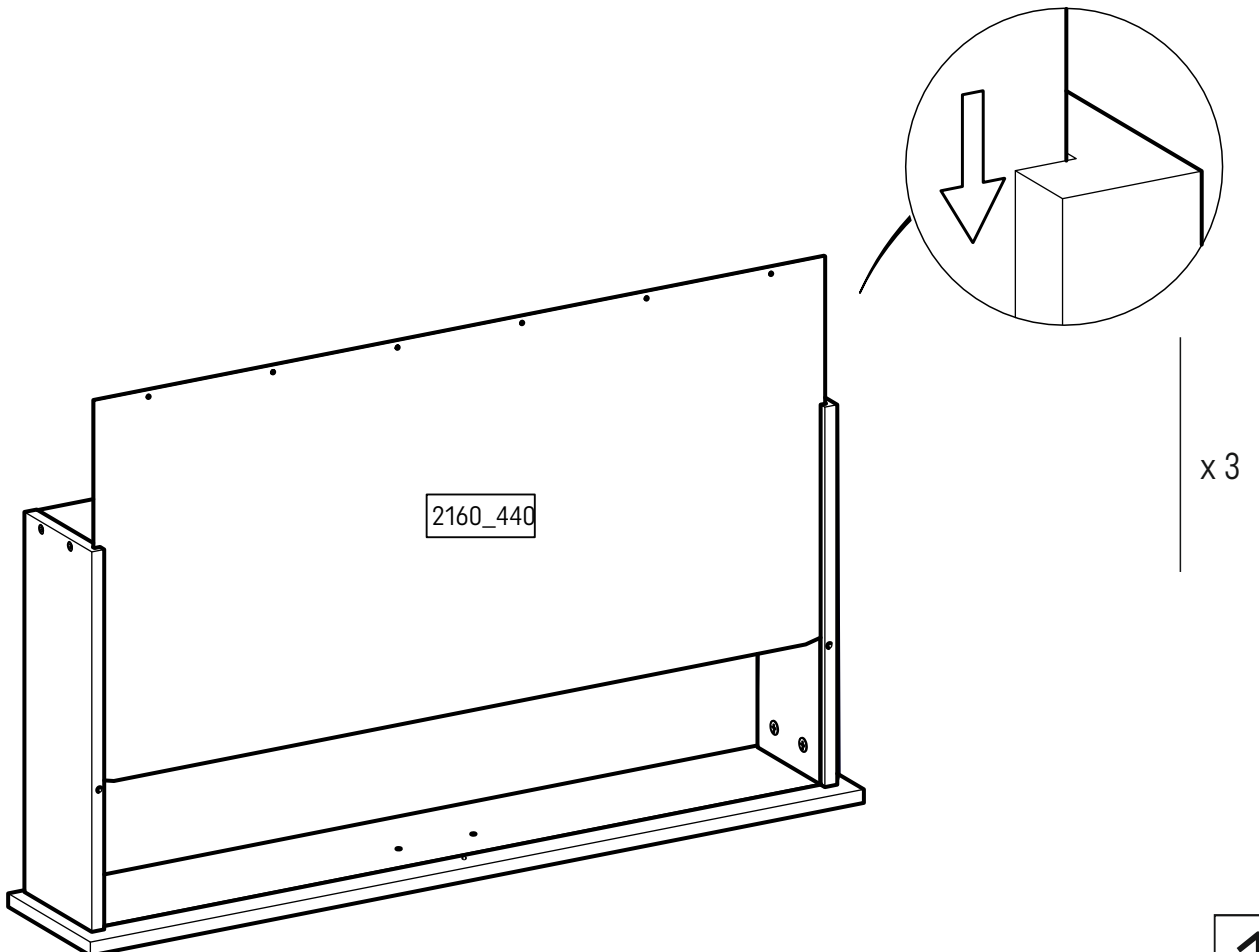
24



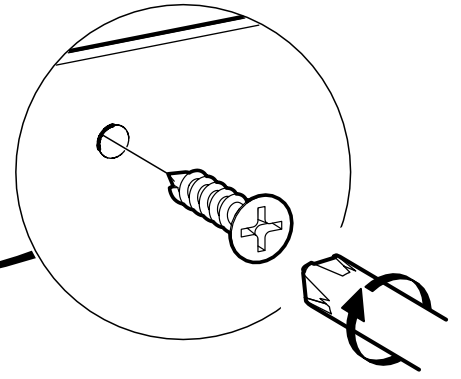
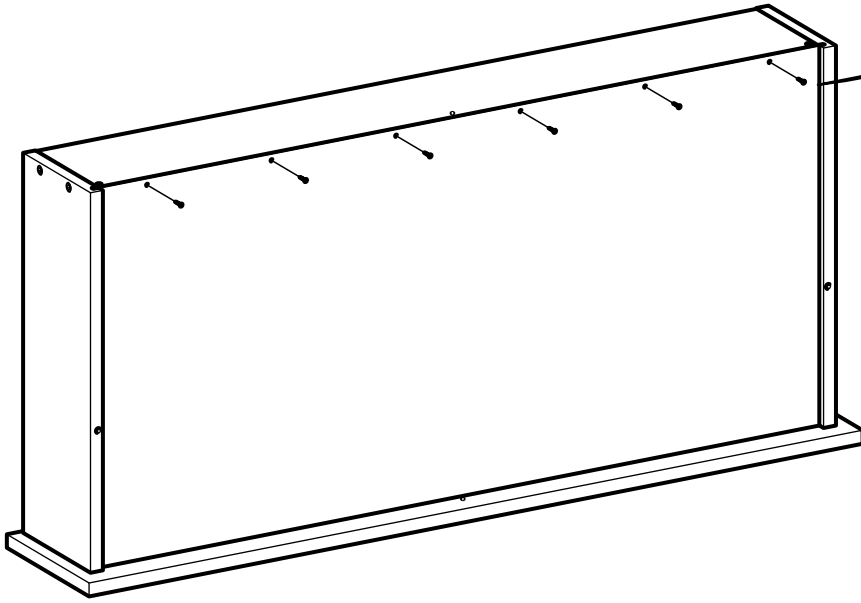
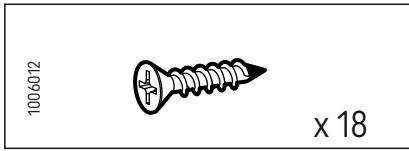
25



26

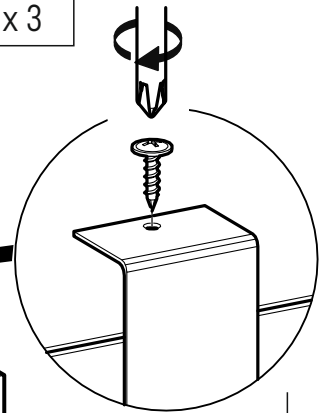
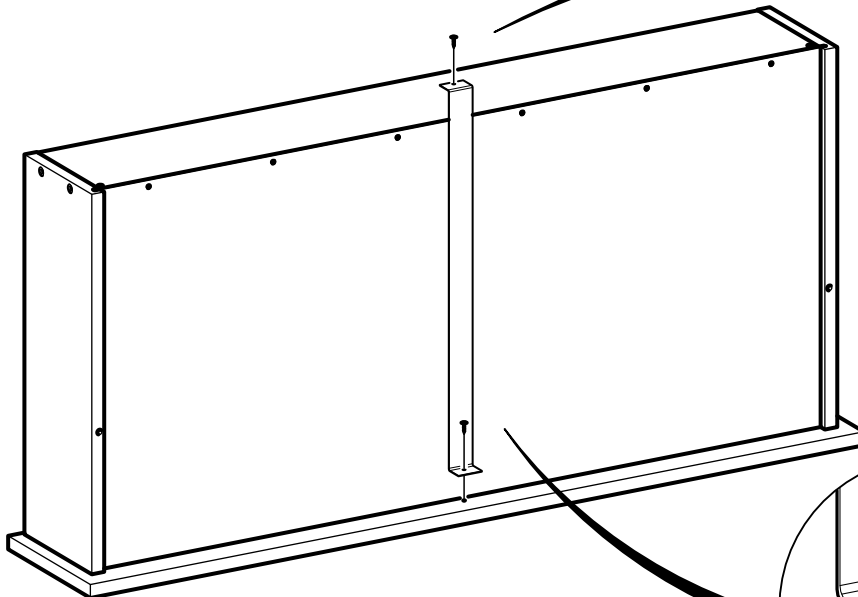
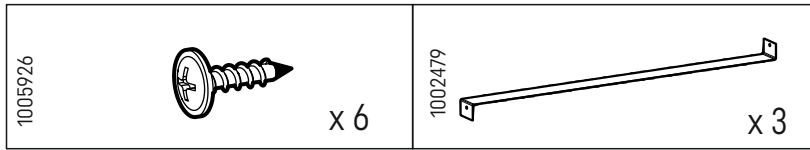


27

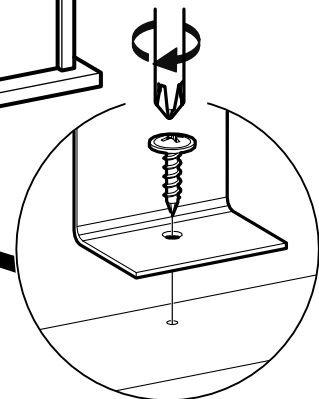


x 3

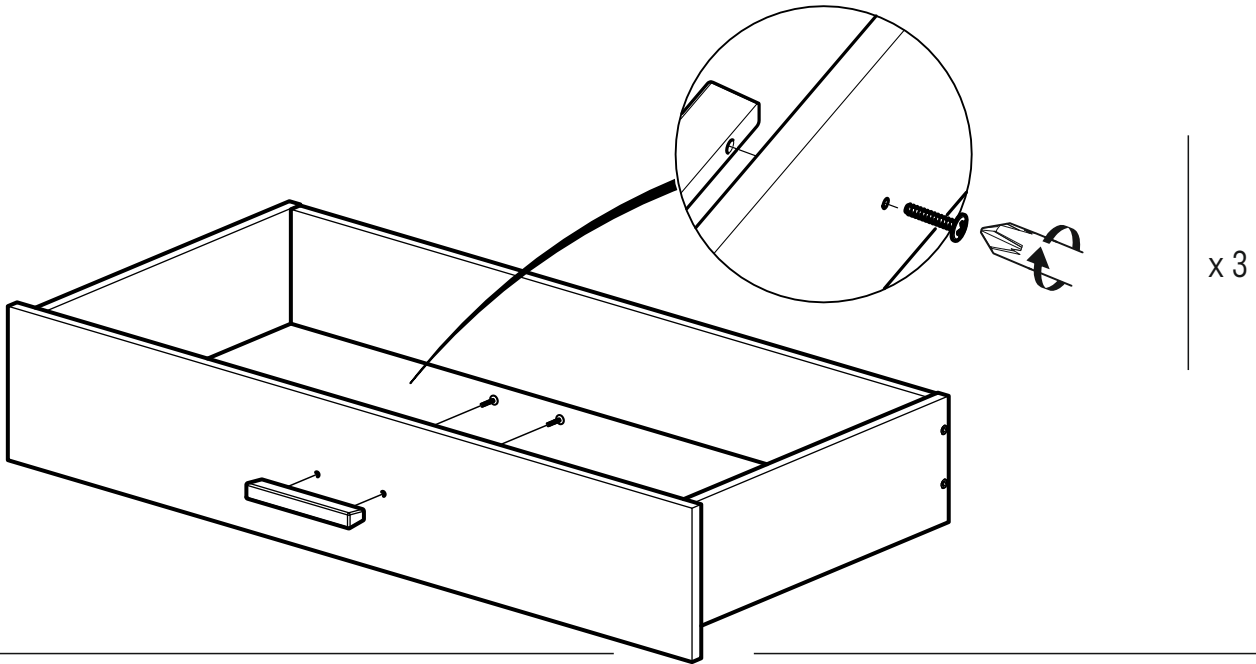
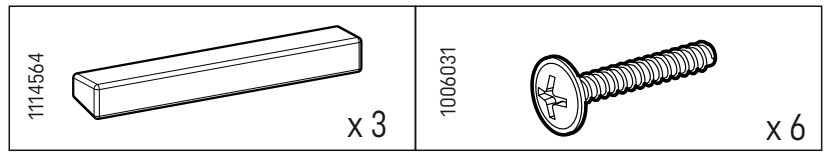
28



x 3



29



30



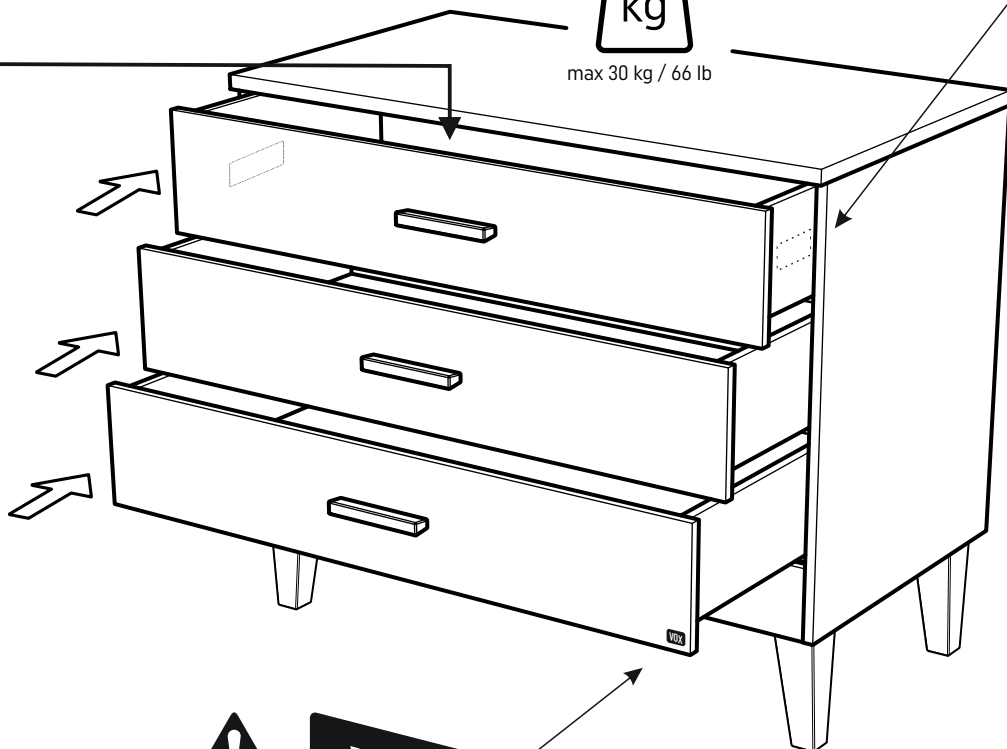
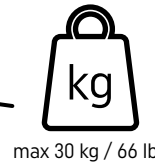
WARNING

Serious or fatal crushing injuries can occur from furniture tip-over. To help prevent tip-over:

- Install tipover restraint provided.
- Place heaviest items in the lower drawers.
- Unless specifically designed to accommodate, do not set TVs or other heavy objects on top of this product.
- Never allow children to climb or hang on drawers, doors or shelves.
- Never open more than one drawer at a time. (OR)
- Do not defeat or remove the drawer interlock system.

Use of tip-over restraints may only reduce, but not eliminate, the risk of tip-over.

This is a permanent label. Do not attempt to remove.



VOX

