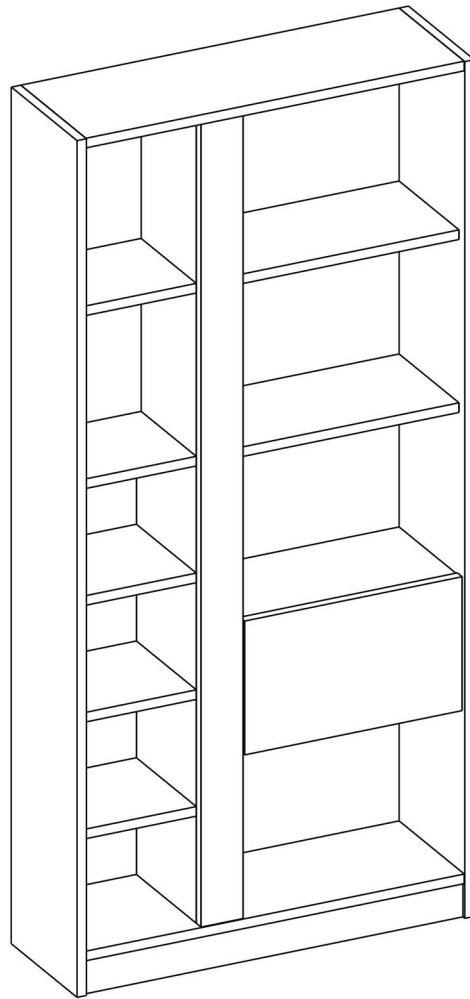


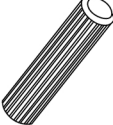


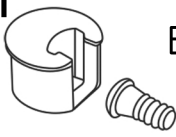
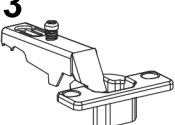
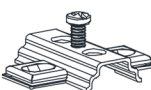

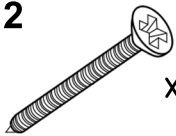
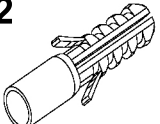
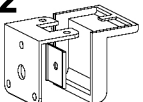
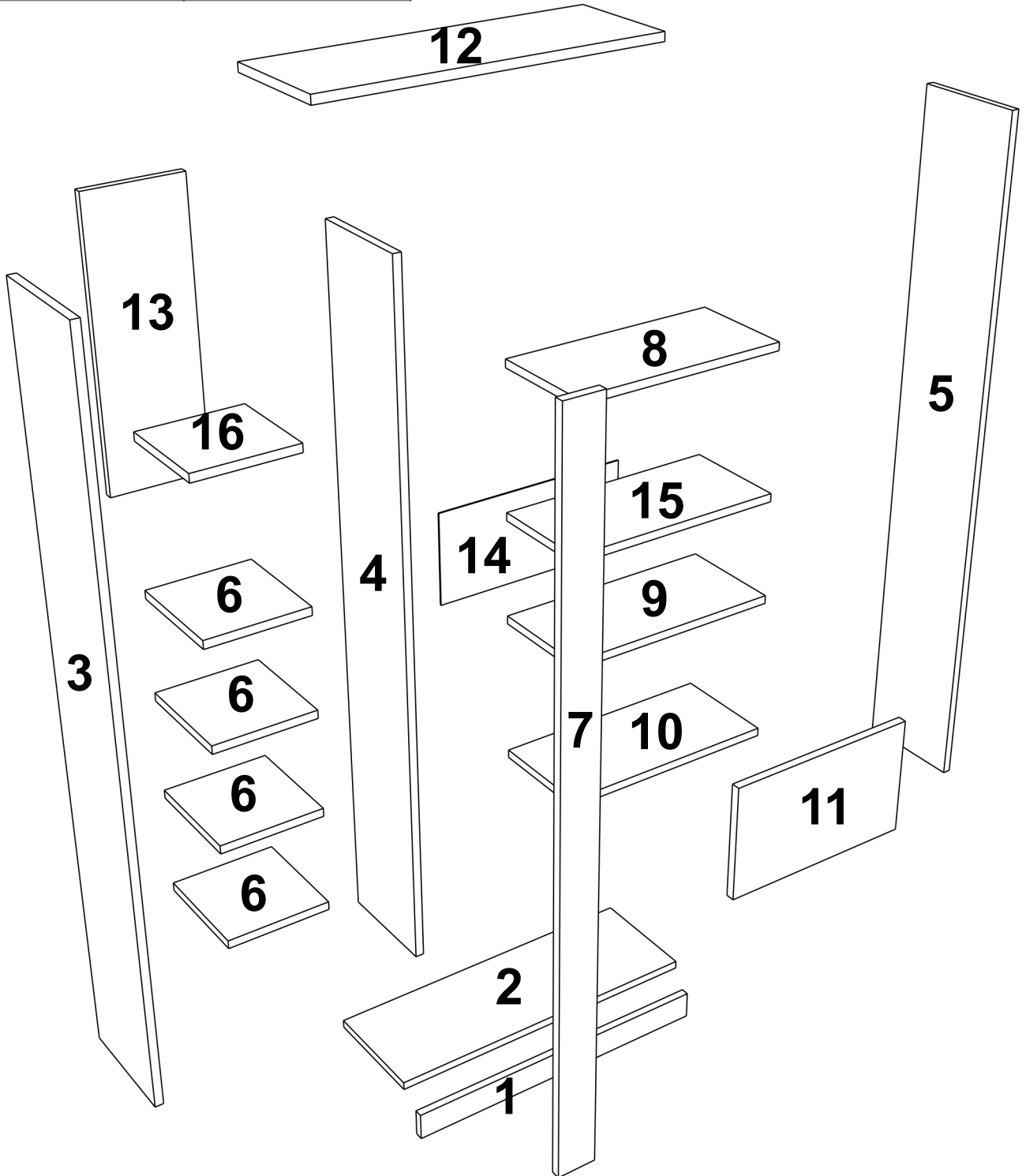
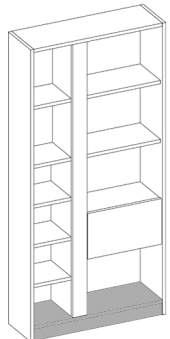


LV21

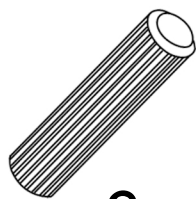


1  B0501 x29	1  B0502 x29	1  B0503 x37	1  B0504 x29	2  B0301 x12
1  B0507 x28	3  B0101 x2	3  B0105 x2	2  B0318 x15	2  B0306 x2
2  B0317 x2	2  B1303 x2			

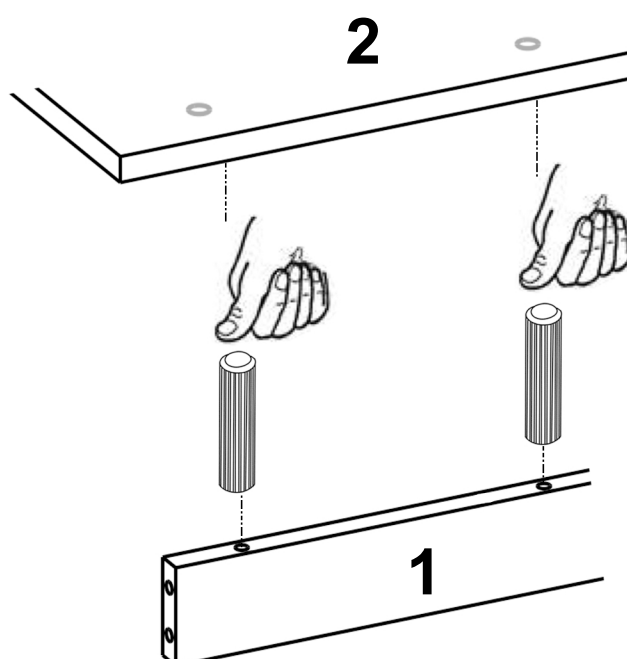
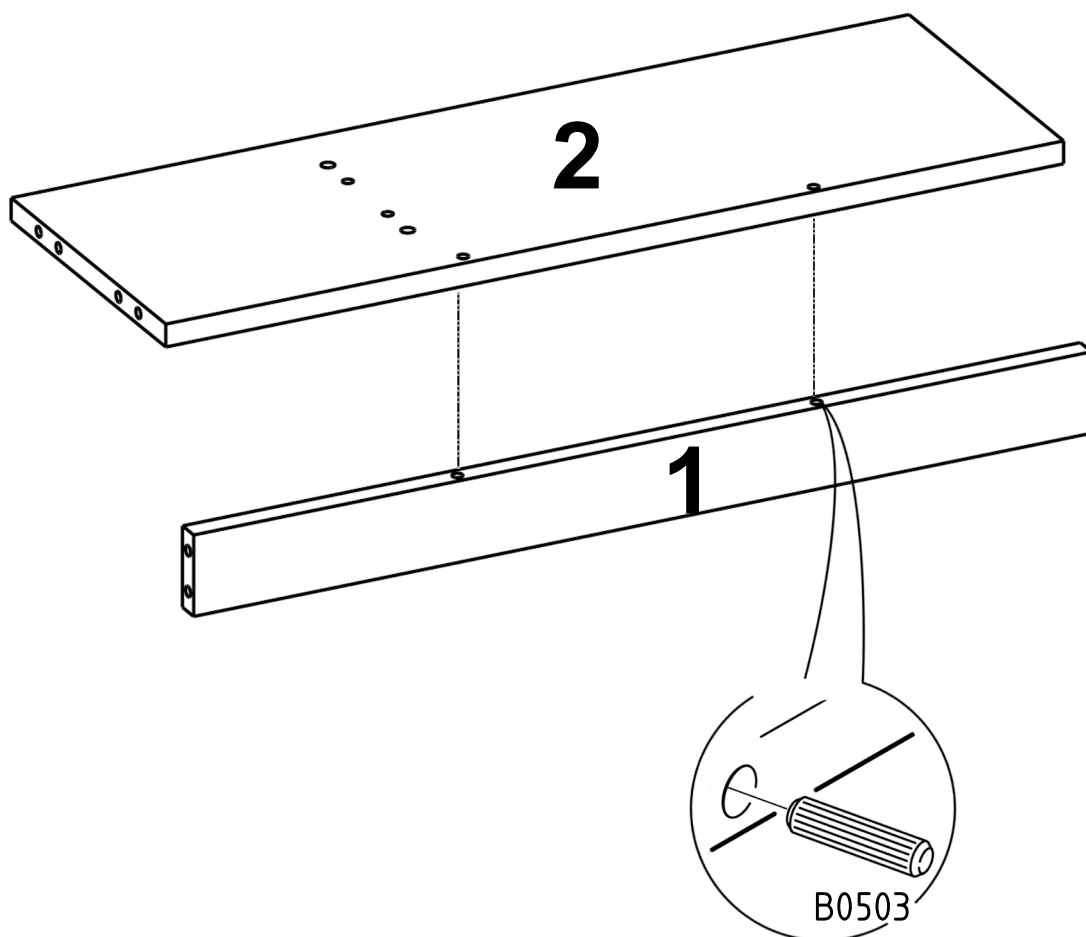
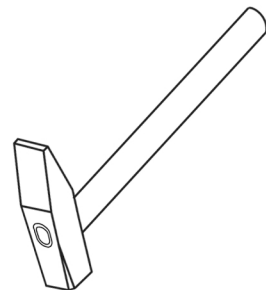


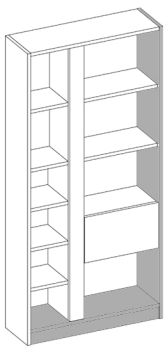


B0503



x2





B0502



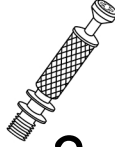
x2

B0503



x4

B0504

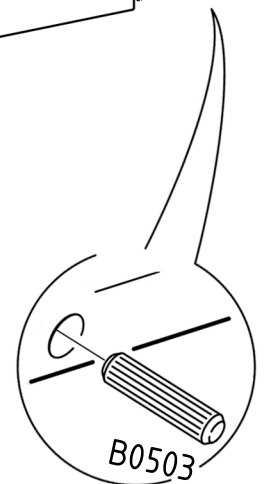
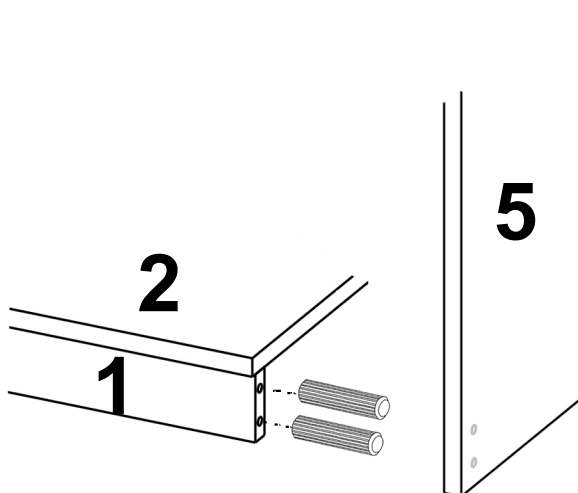
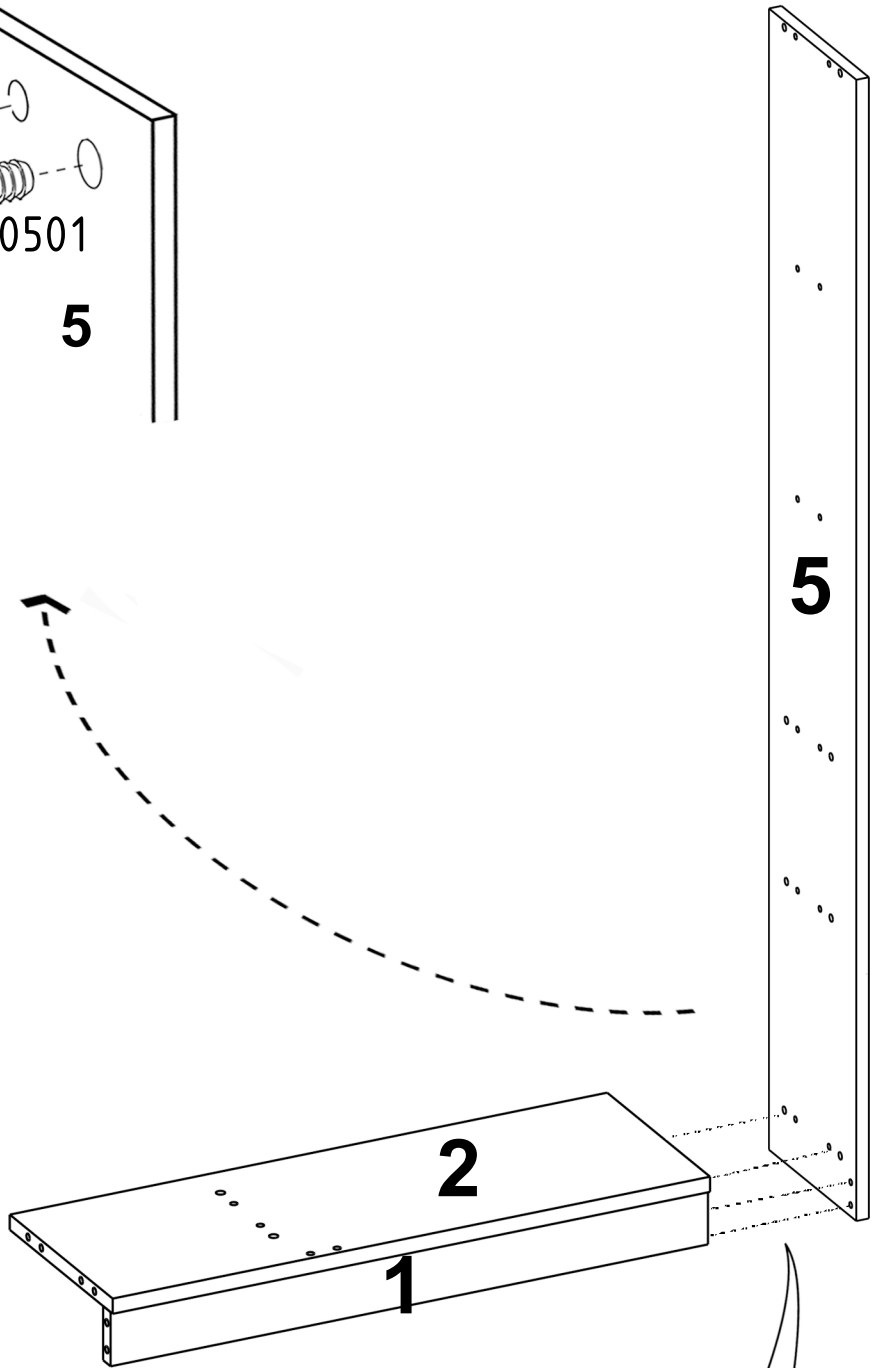
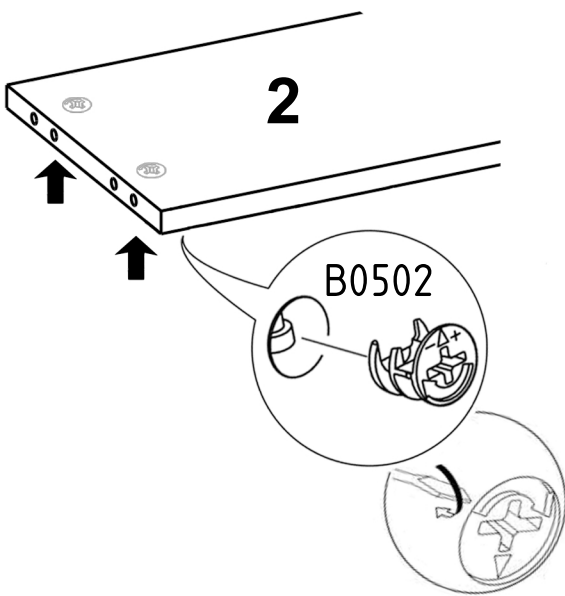
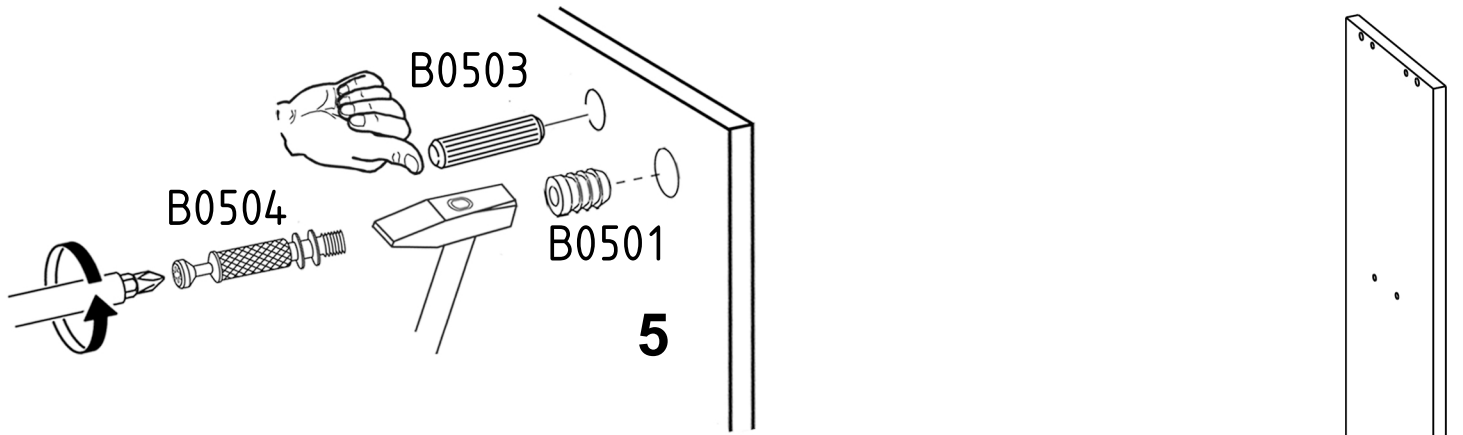
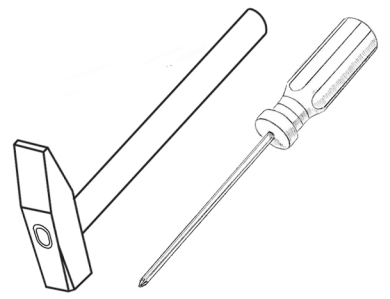


x2

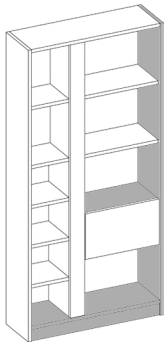
B0501



x2



4

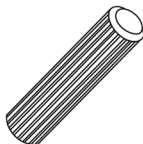


B0502



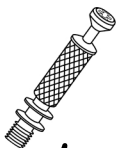
x4

B0503



x4

B0504

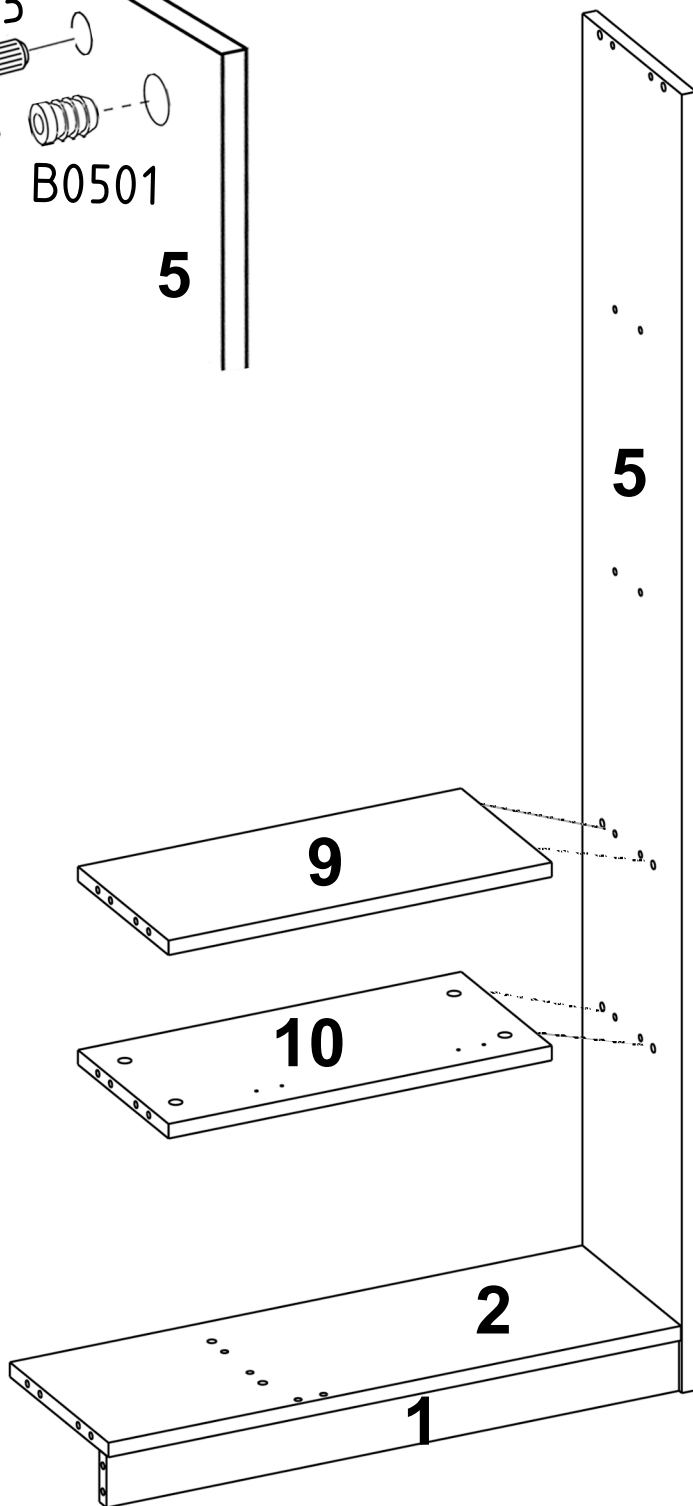
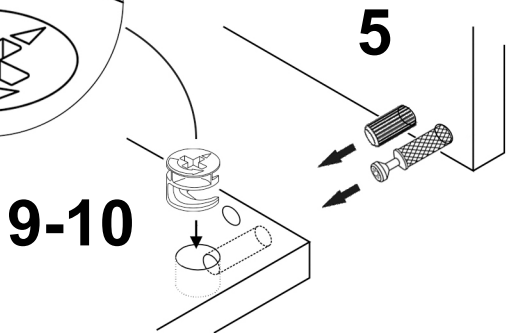
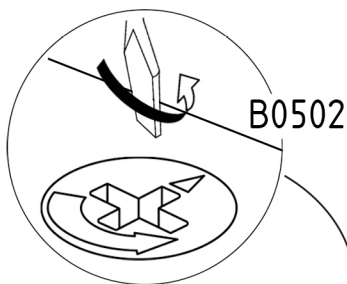
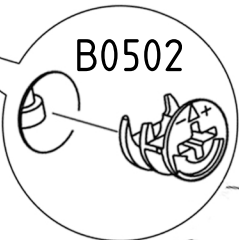
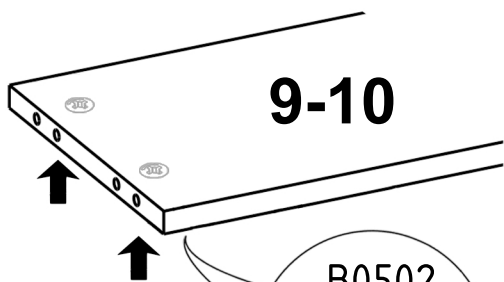
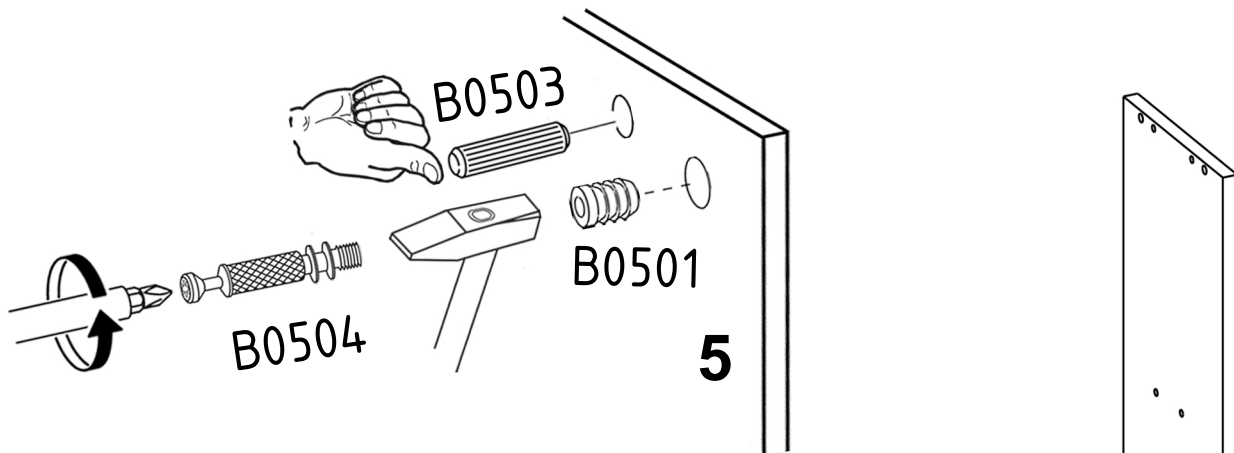
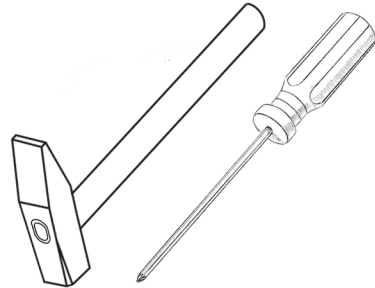


x4

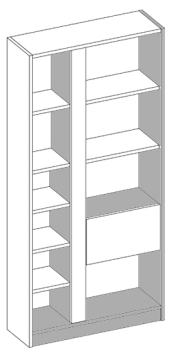
B0501



x4



5



B0502



x6

B0503



x6

B0504

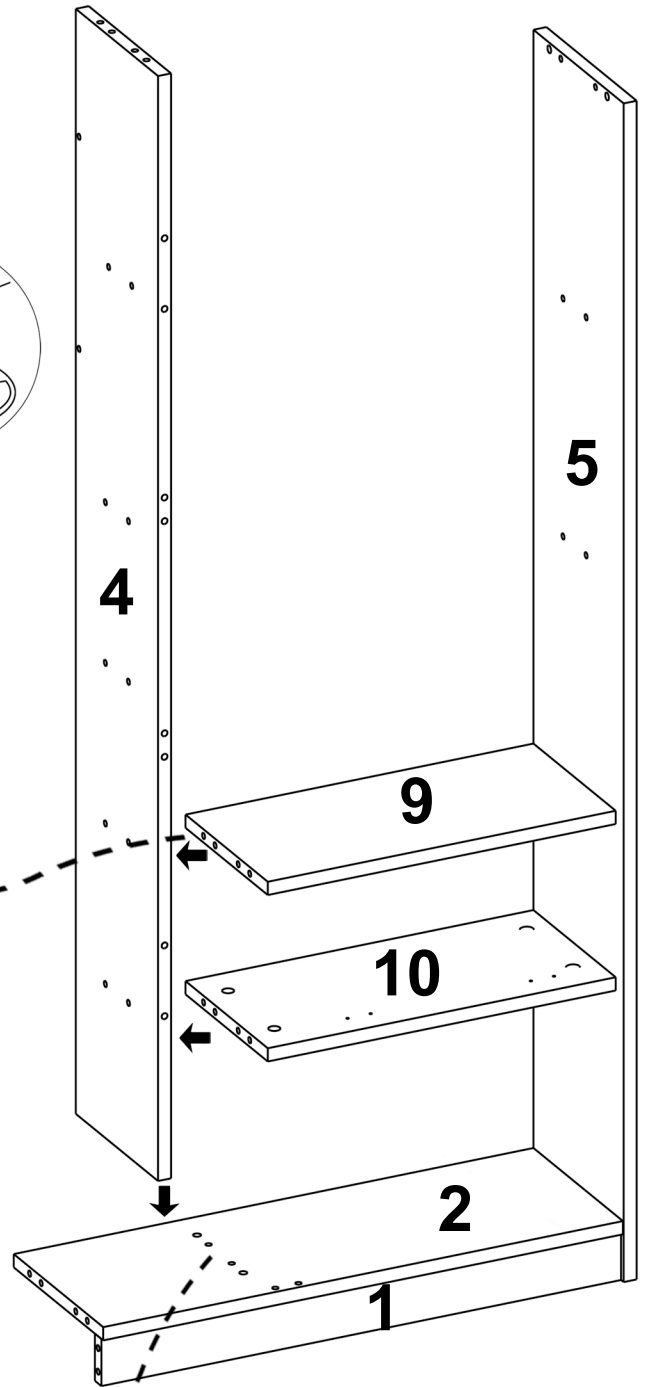
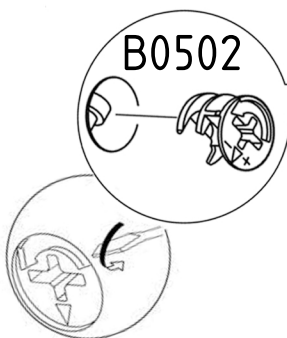
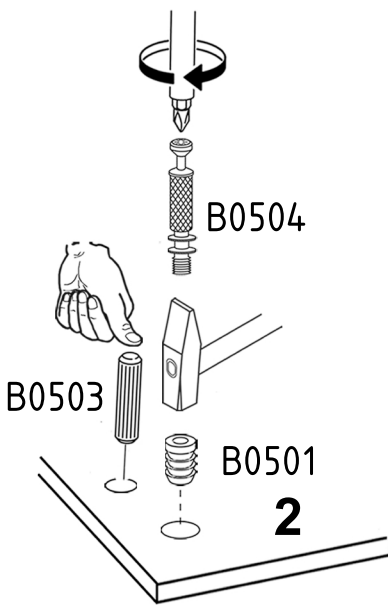
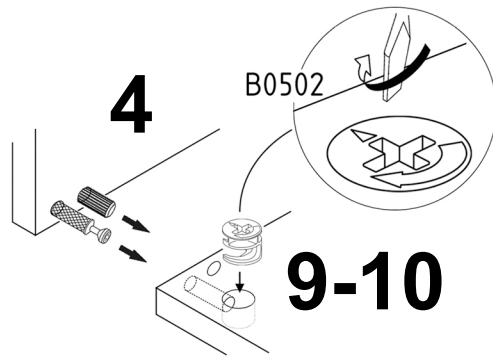
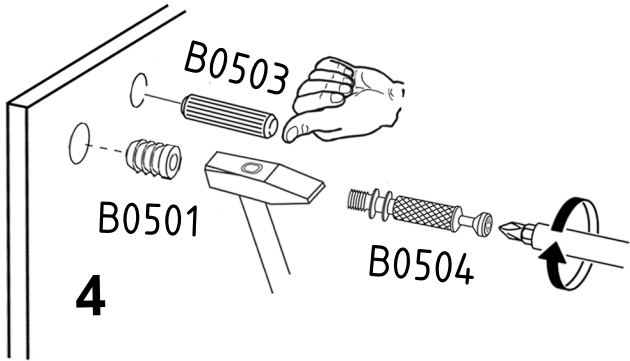
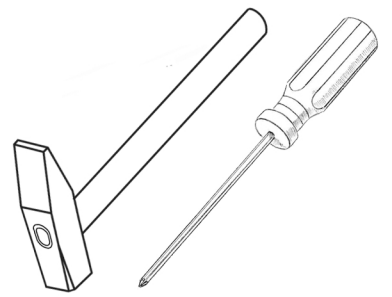


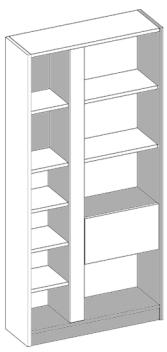
x6

B0501



x6



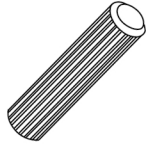


B0502



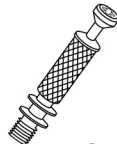
x2

B0503



x2

B0504

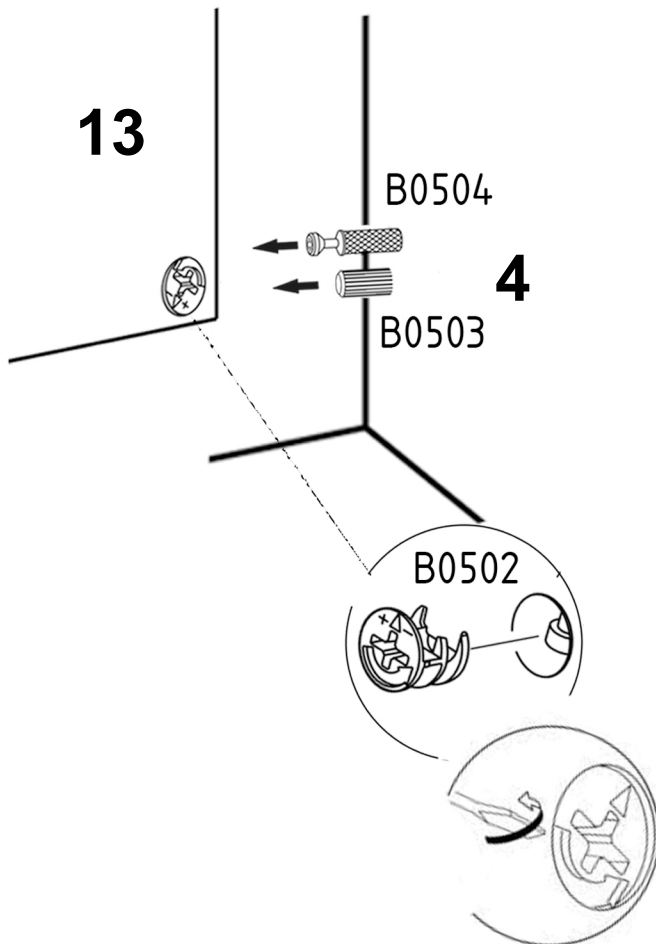
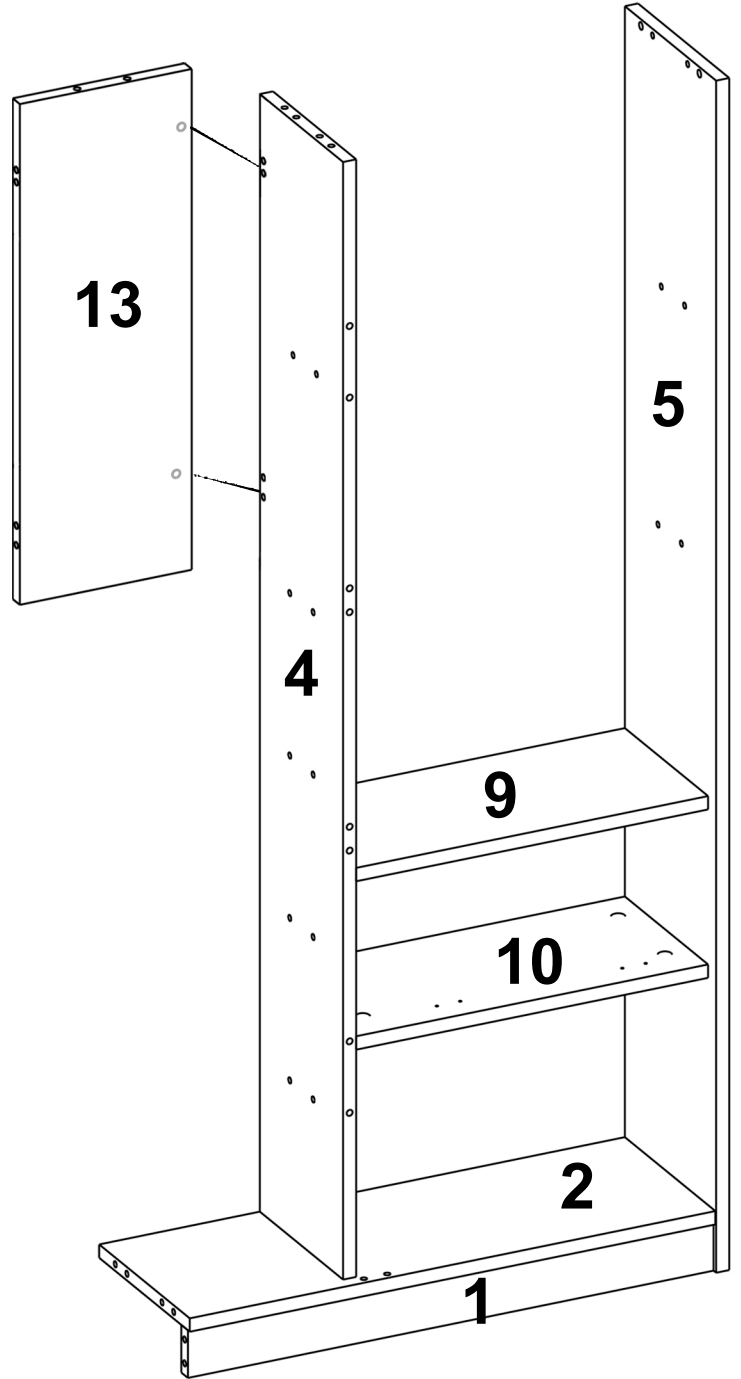
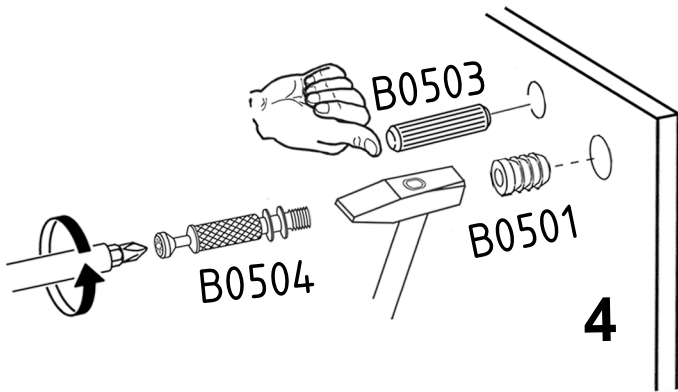
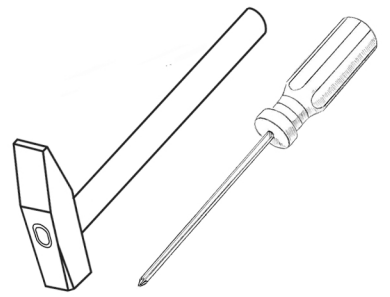


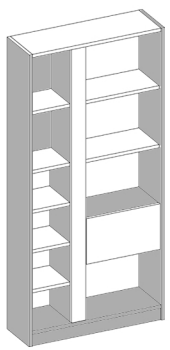
x2

B0501



x2



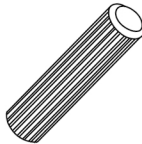


B0502



x4

B0503



x6

B0504

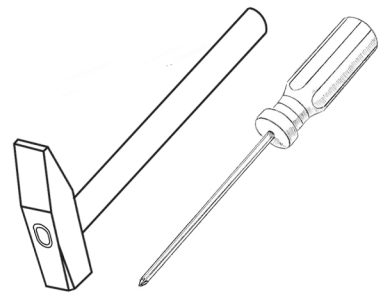


x4

B0501



x4



13

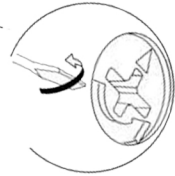
B0504



B0503

3

B0502



13

5

3

4

9

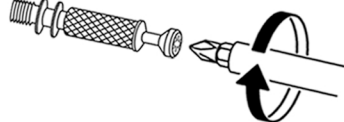
10

2

B0503



B0504



B0501

2

3



B0502



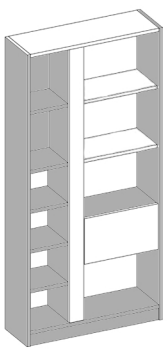
3

B0503

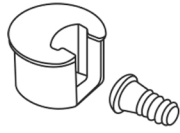
2

1

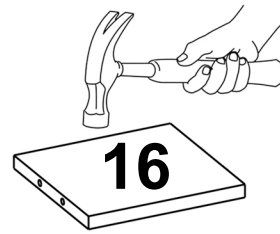
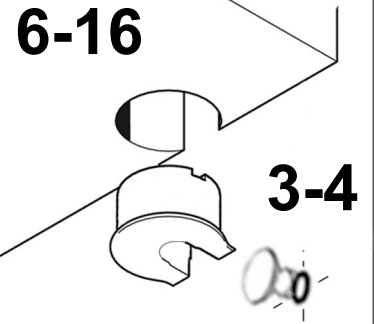
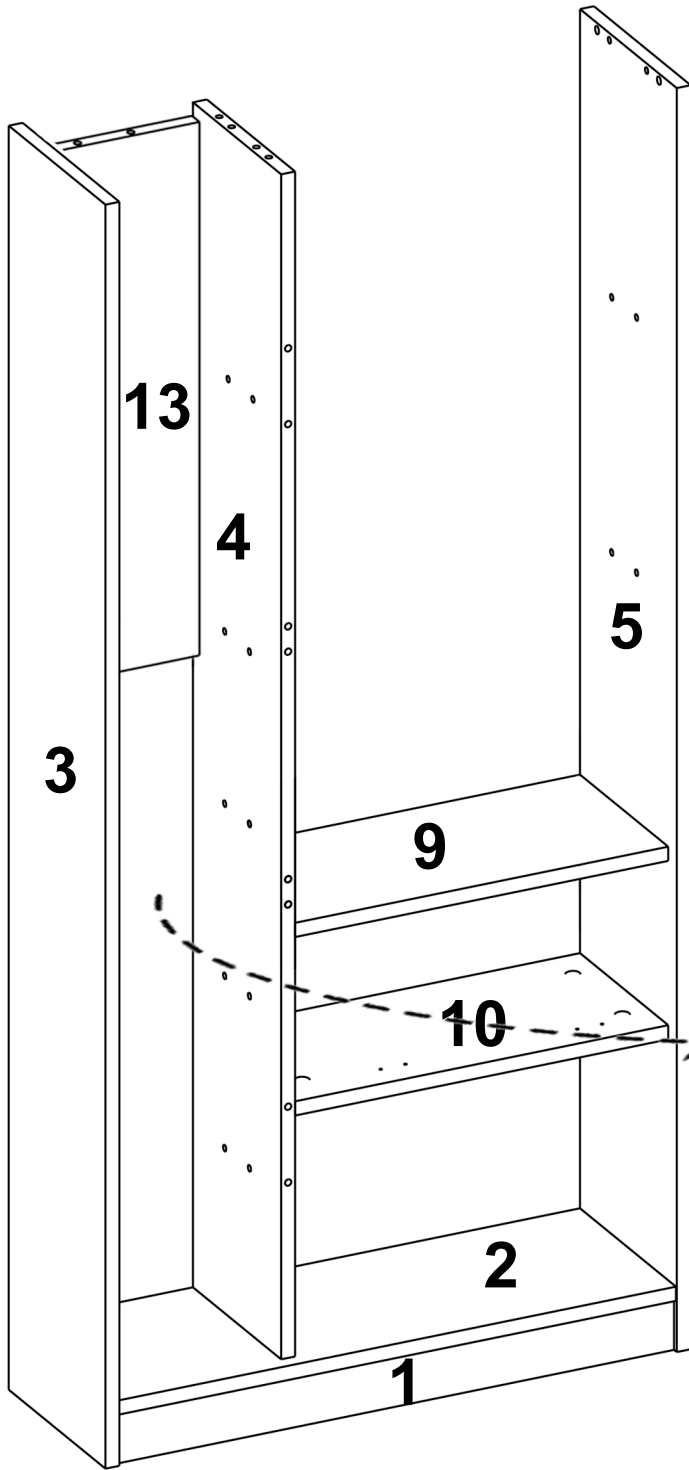
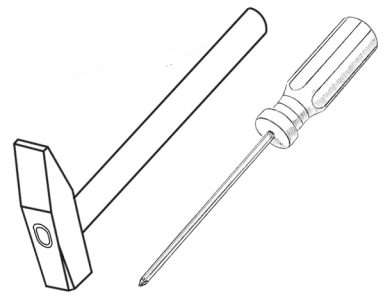
8

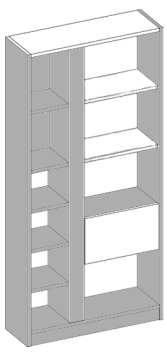


B0507



x20



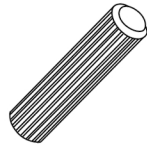


B0502



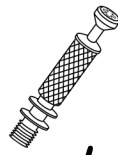
X4

B0503



X4

B0504

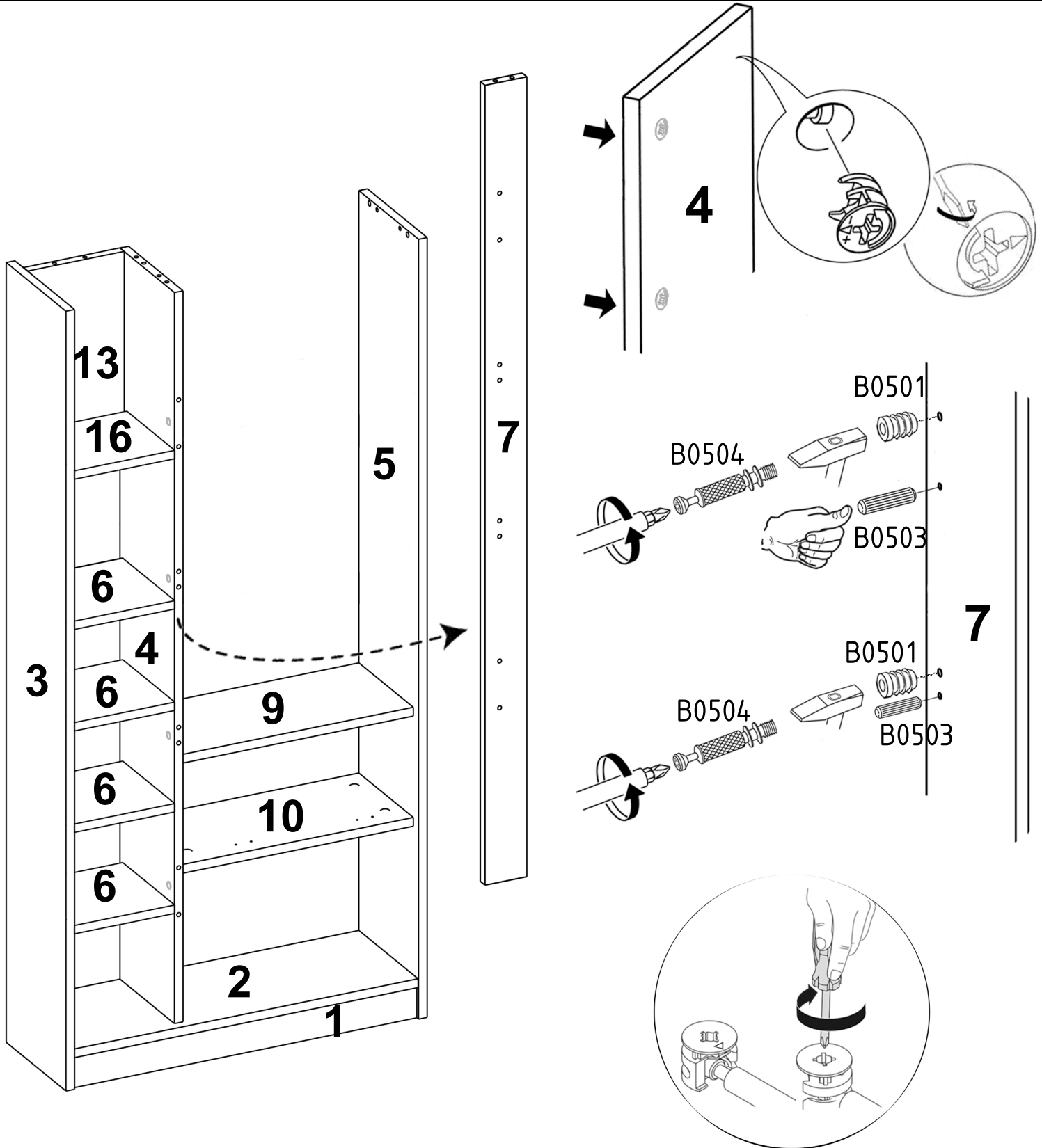
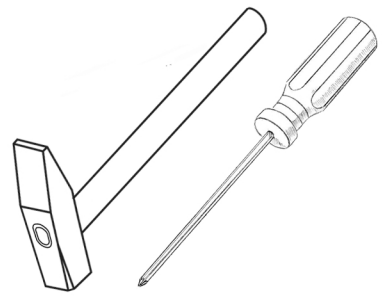


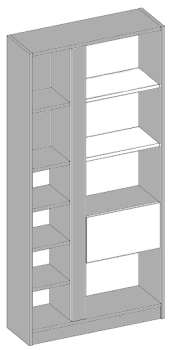
X4

B0501



X4



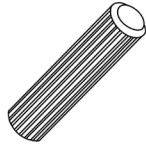


B0502



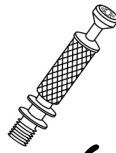
x6

B0503



x8

B0504

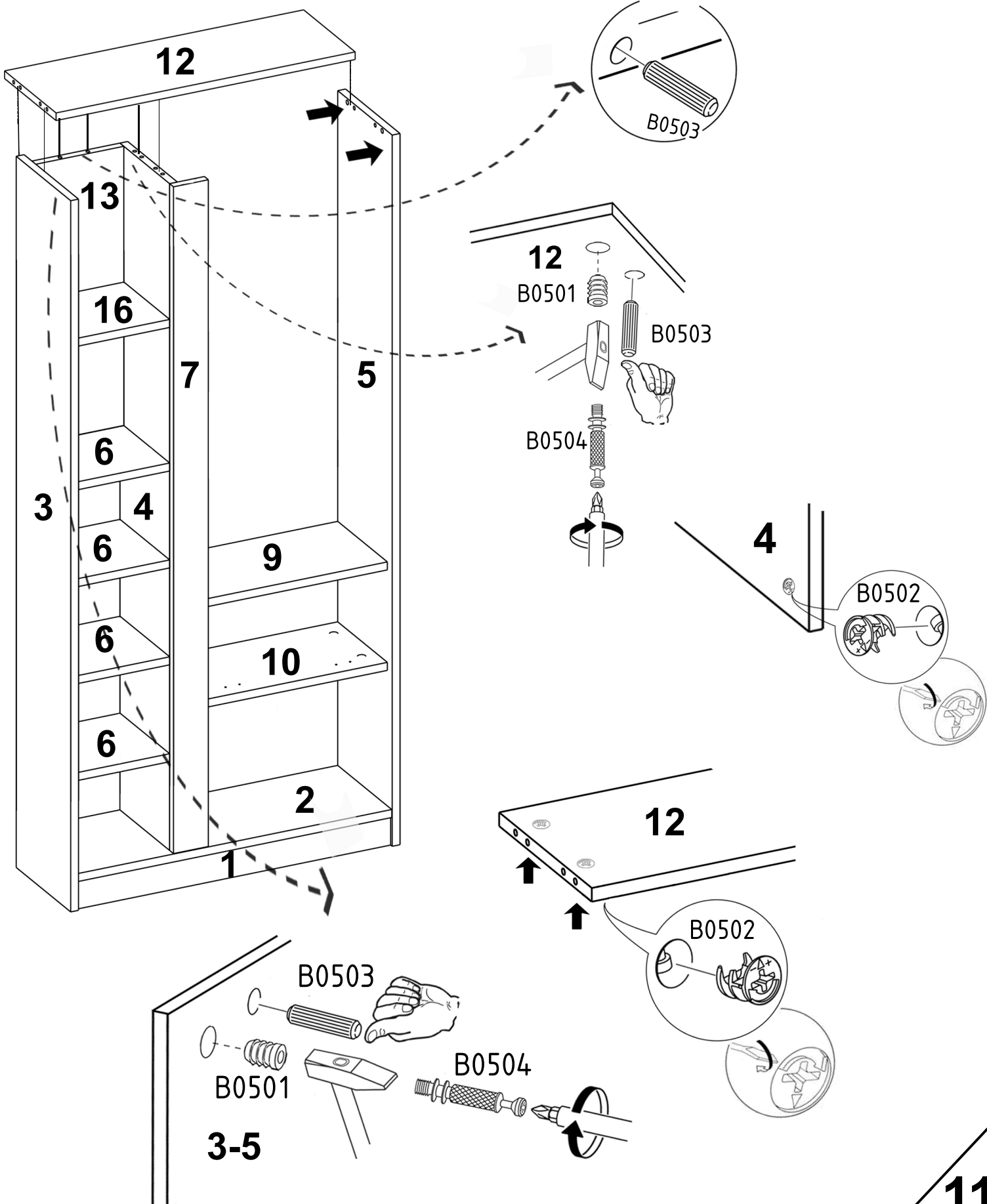
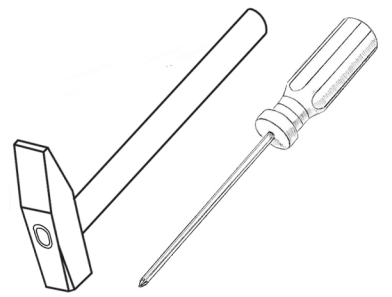


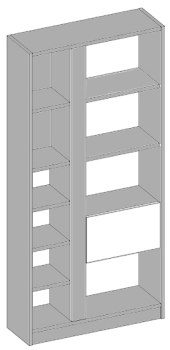
x6

B0501

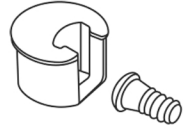


x6

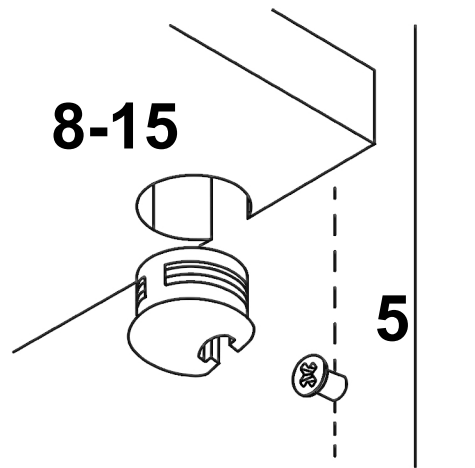
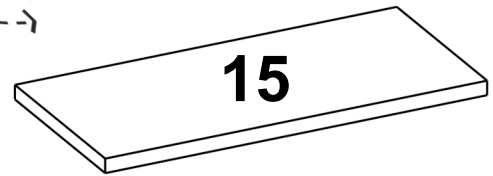
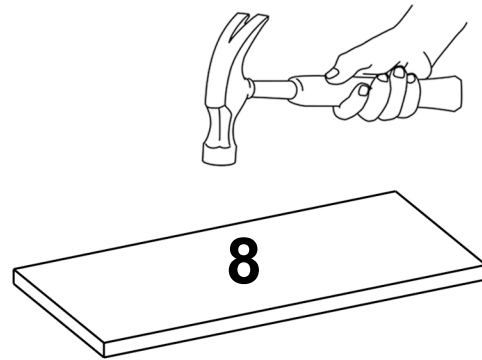
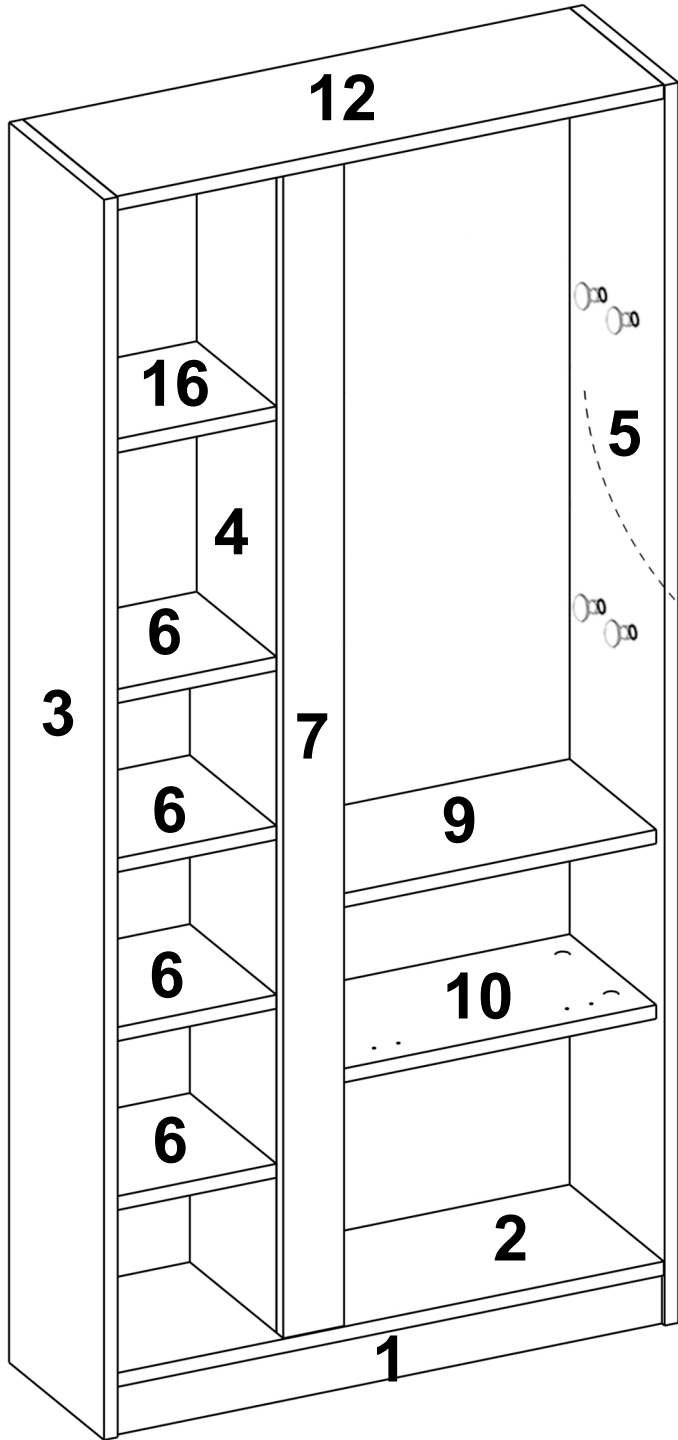
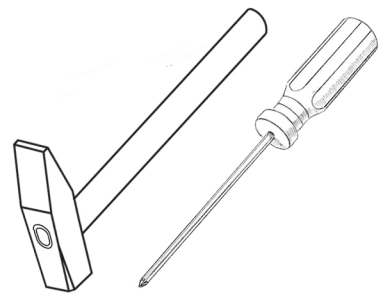


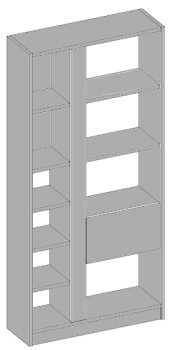


B0507

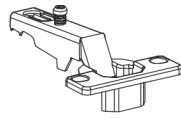


x8



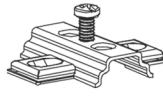


B0101



x2

B0105

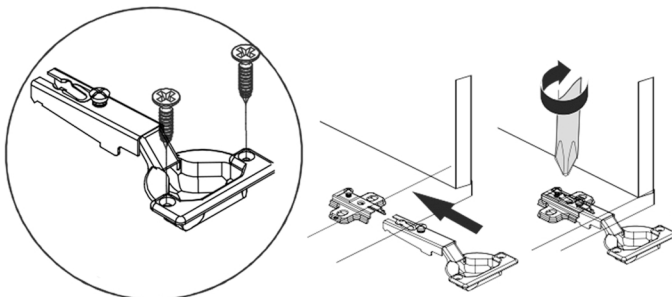
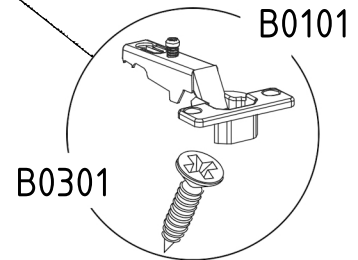
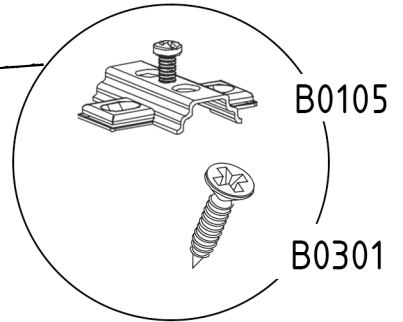
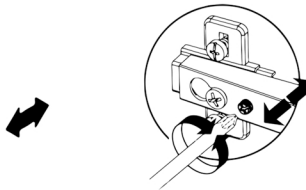
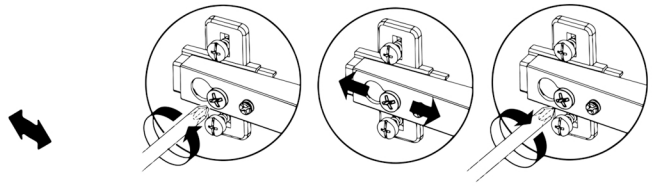
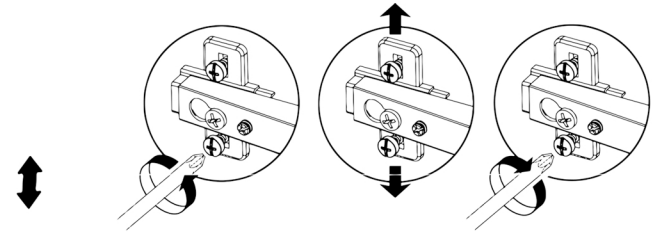
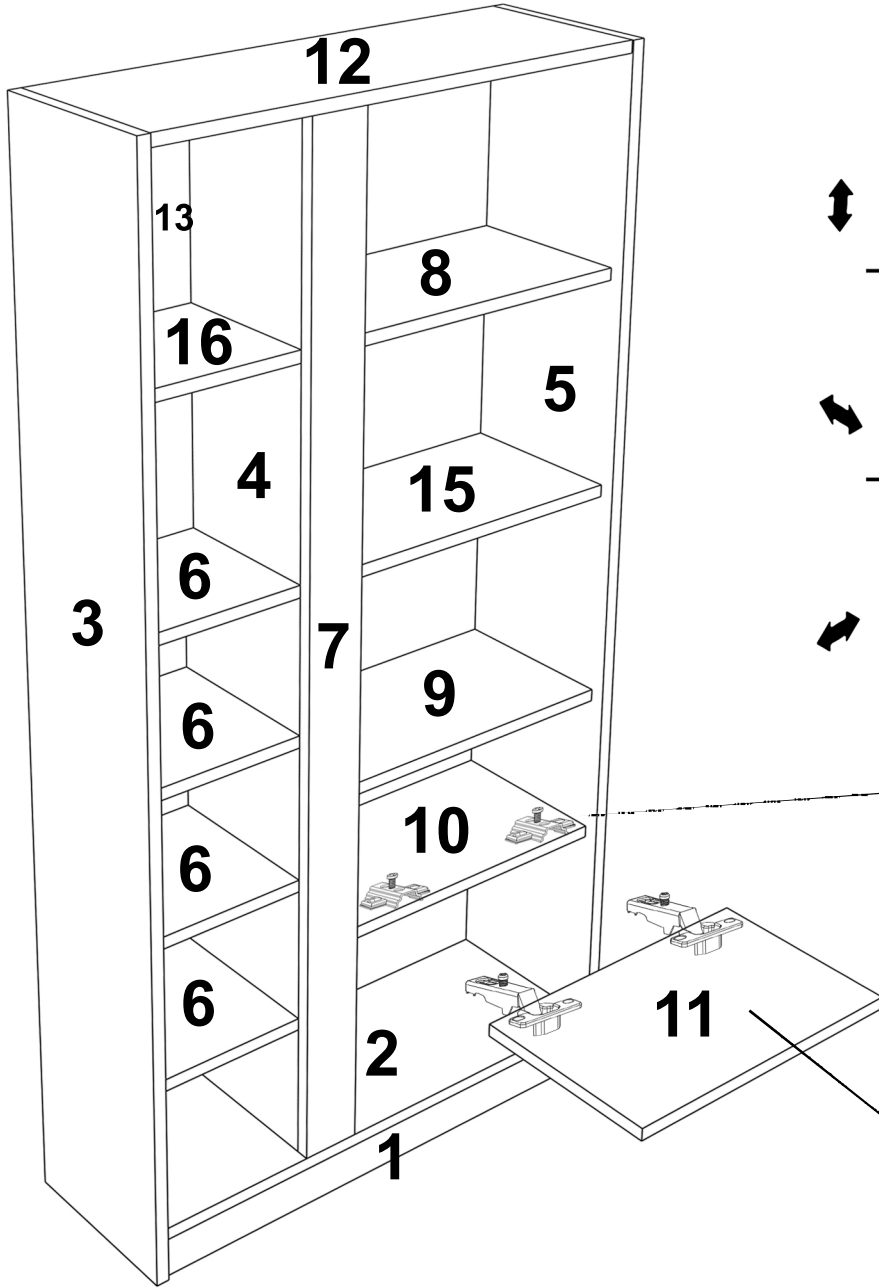
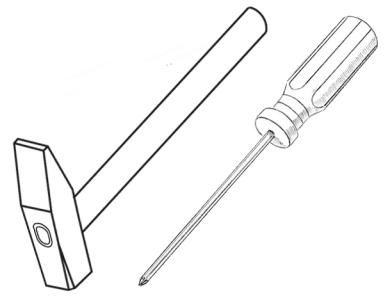


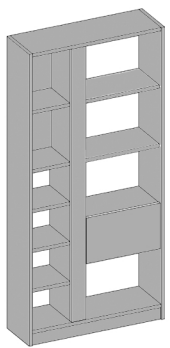
x2

B0301



x8

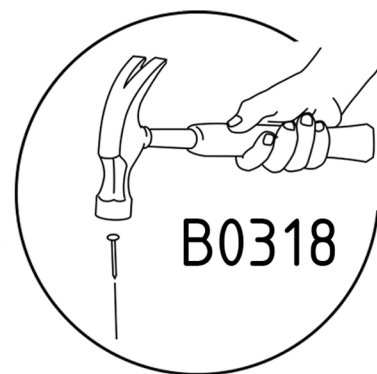
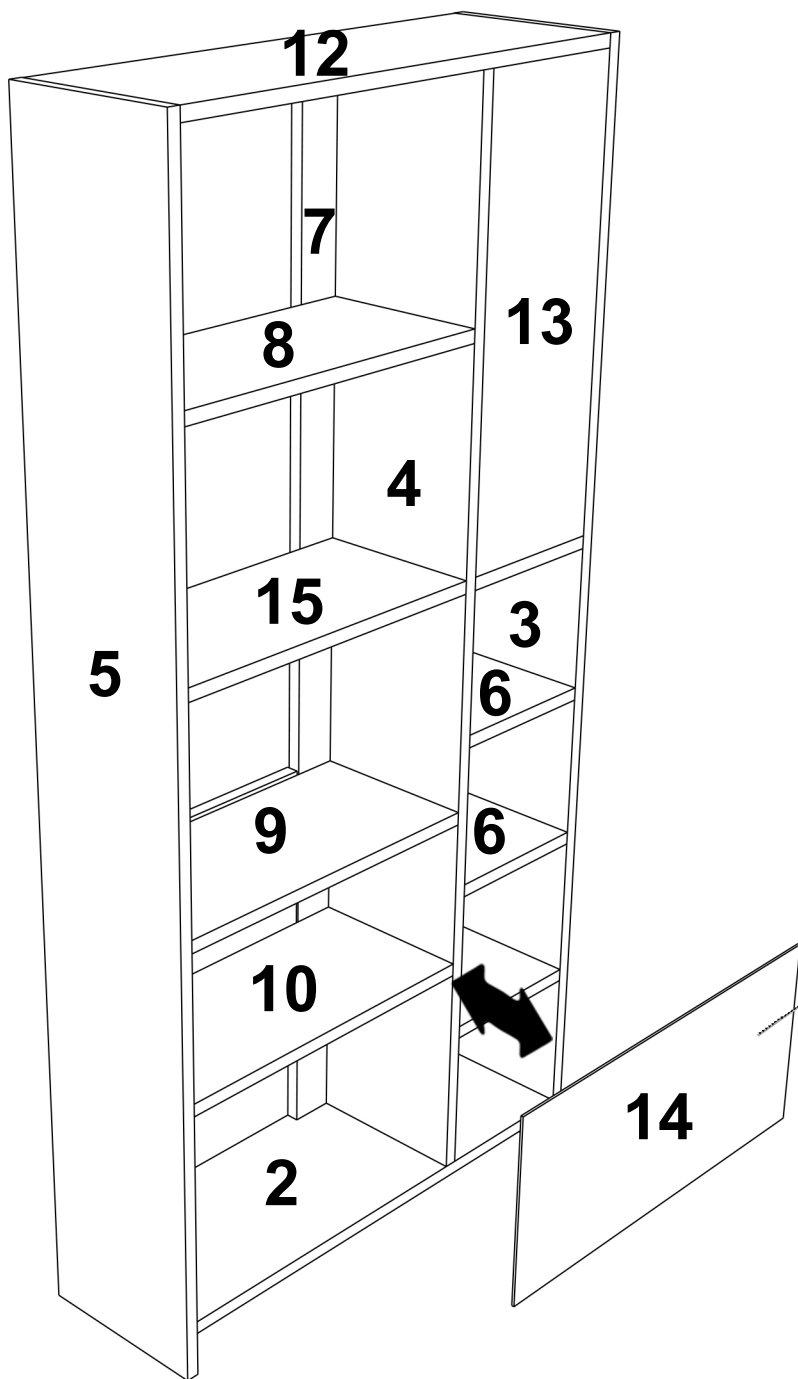
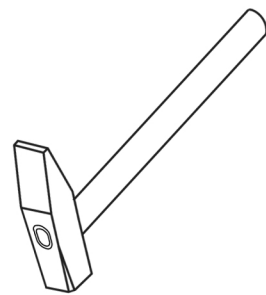




B0318



x8



B0318