

1090



A x1



B x1



C x1



D x1



E x1

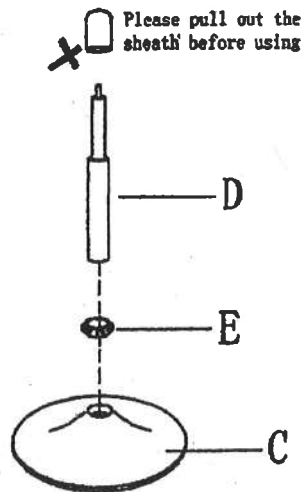


F x4

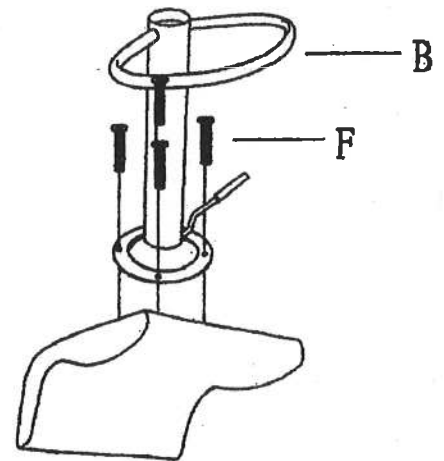


M6

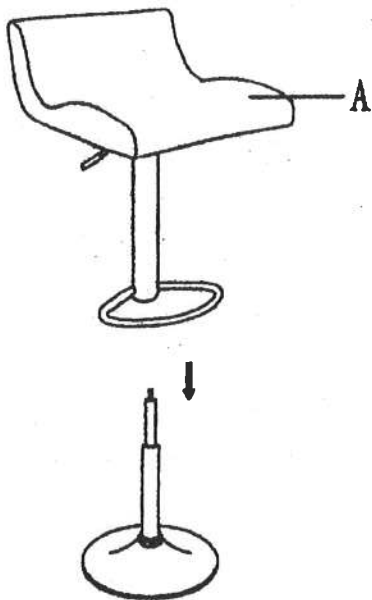
1



2



3



4

