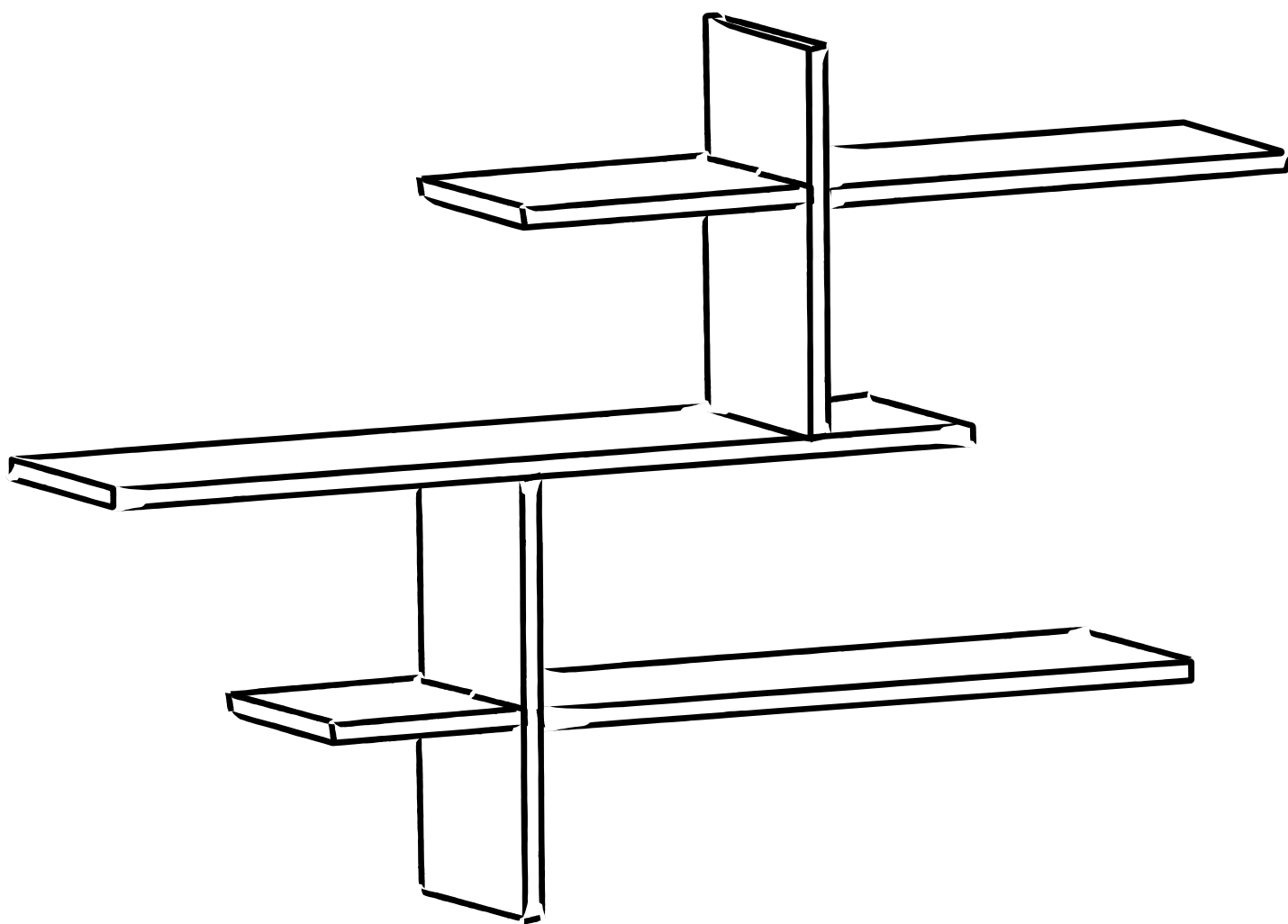
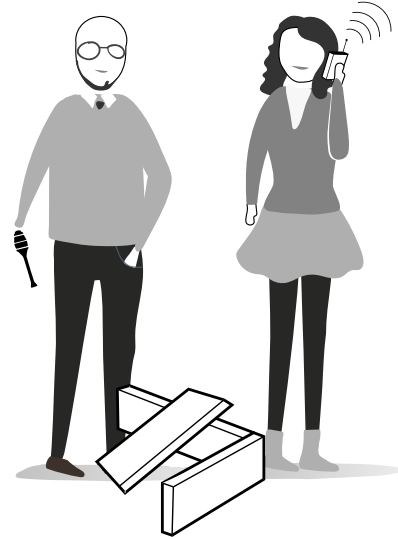
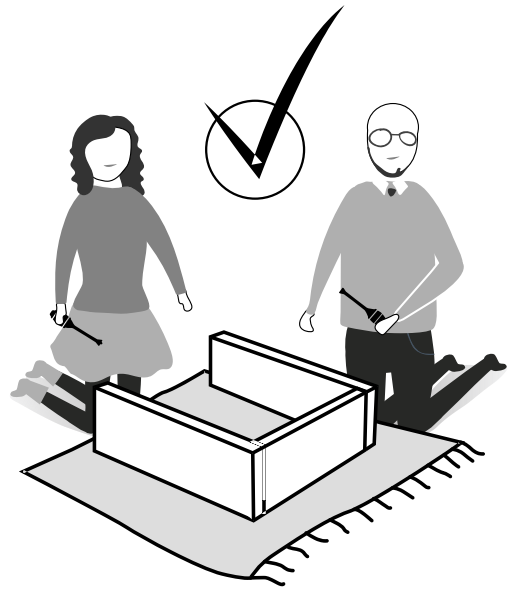
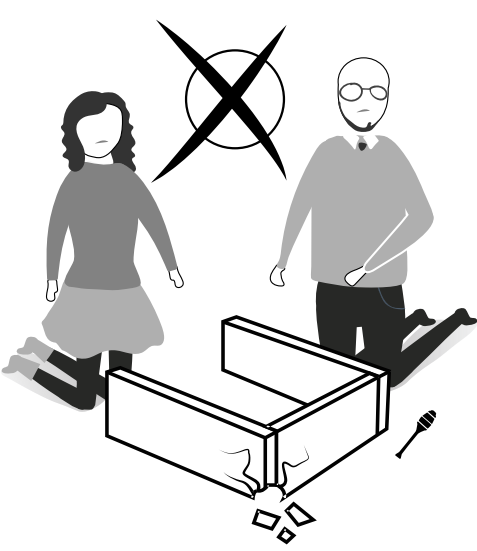
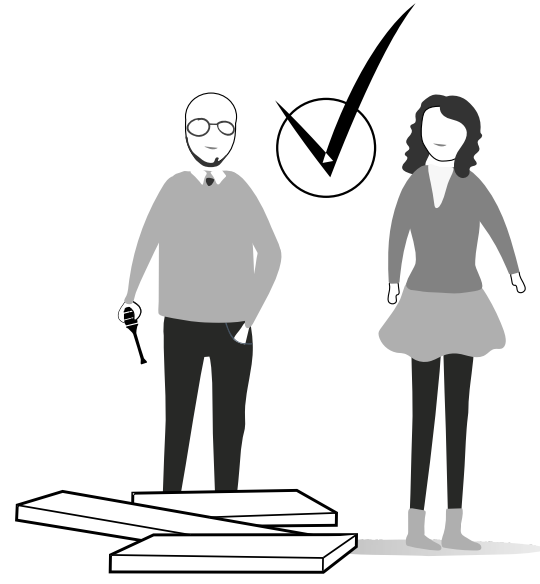
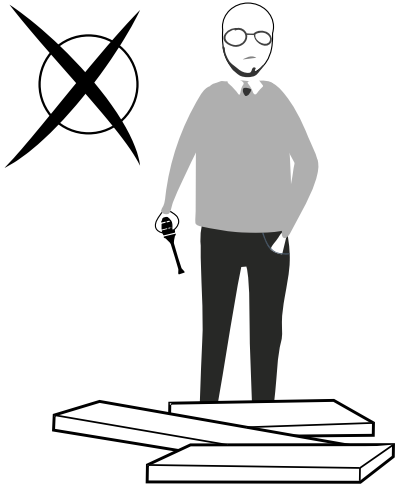


# LEO

---





# ATTENTION !!

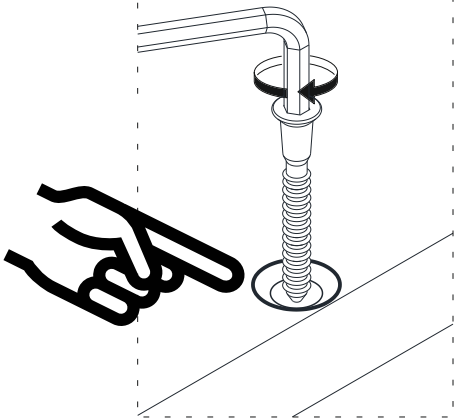
Our products are screw system. Before you proceed with installation try to understand the following



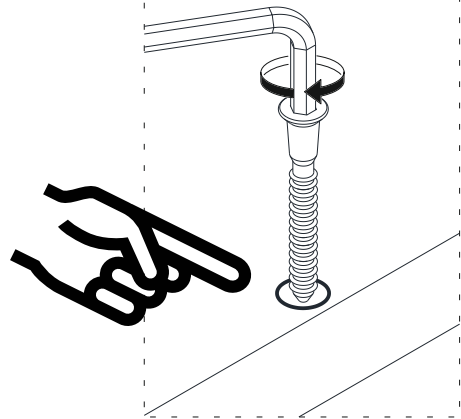
**A13**



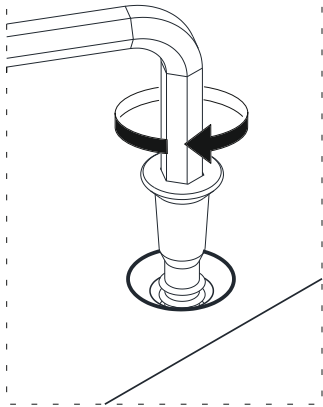
**1**



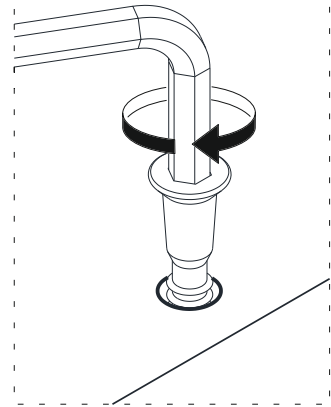
**1**



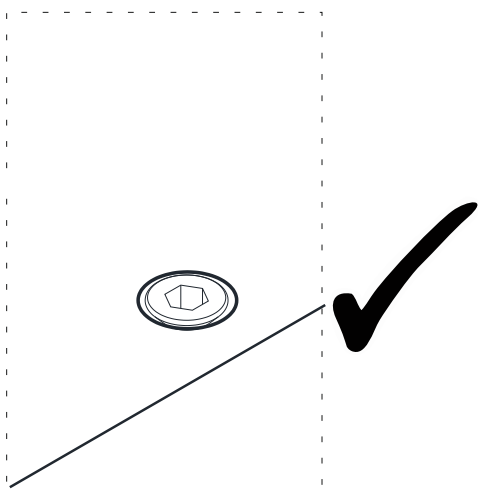
**2**



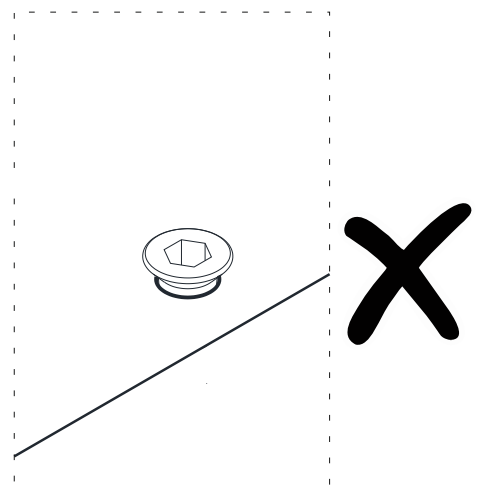
**2**



**3**






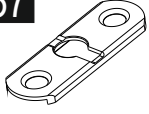

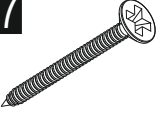


**3**

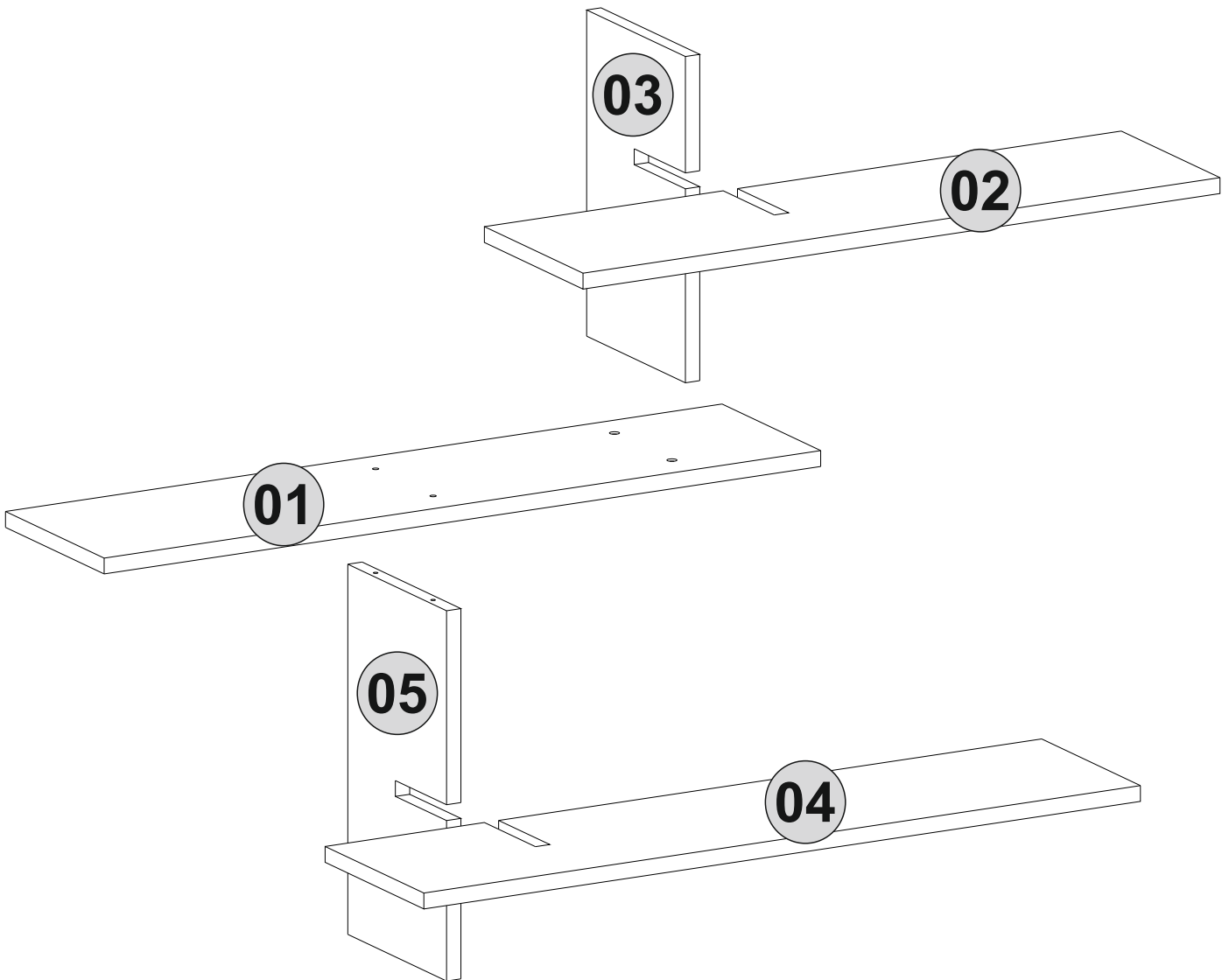


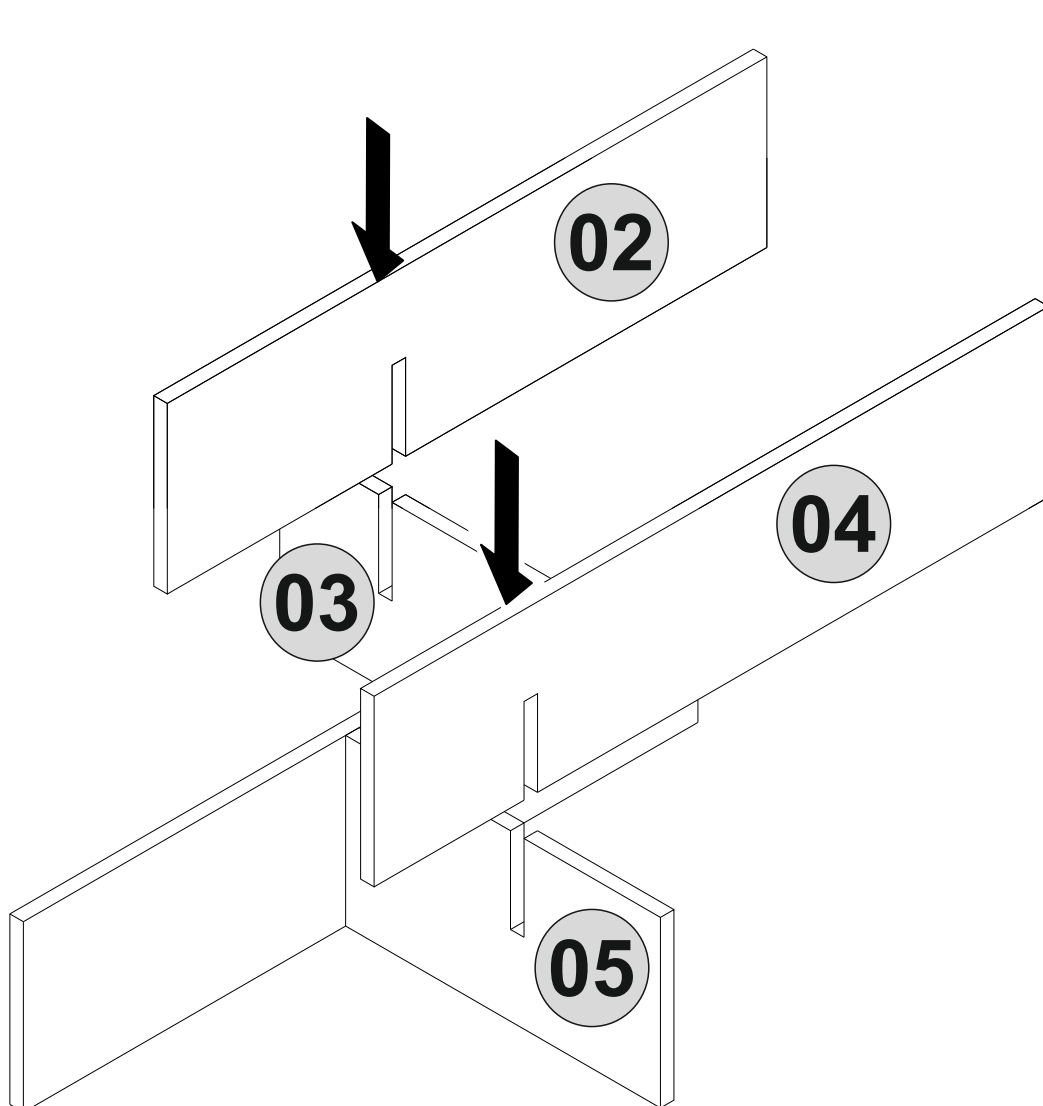
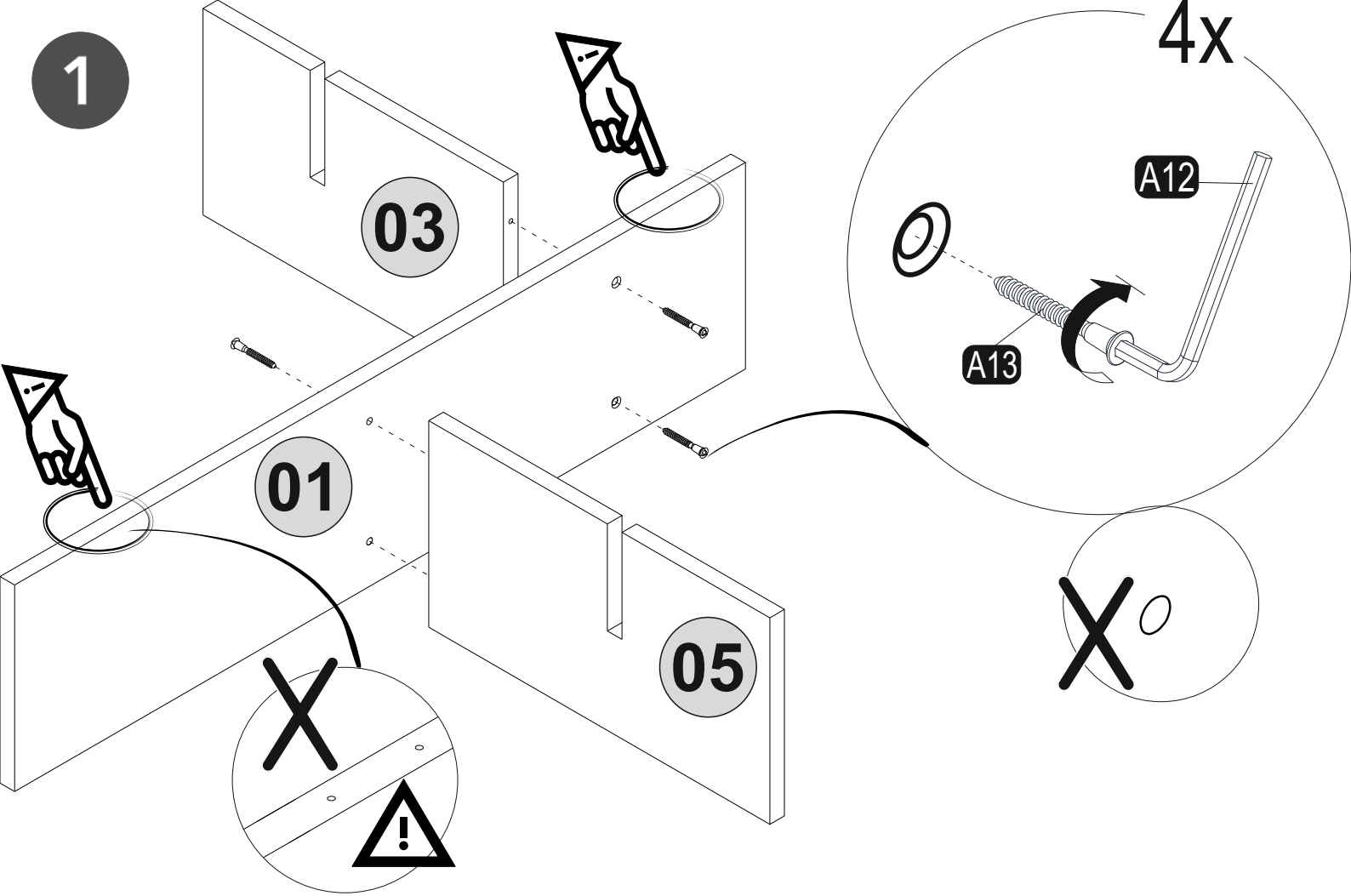
Follow the installation steps in the order as shown.  
Position the parts as shown in the installation guide steps.

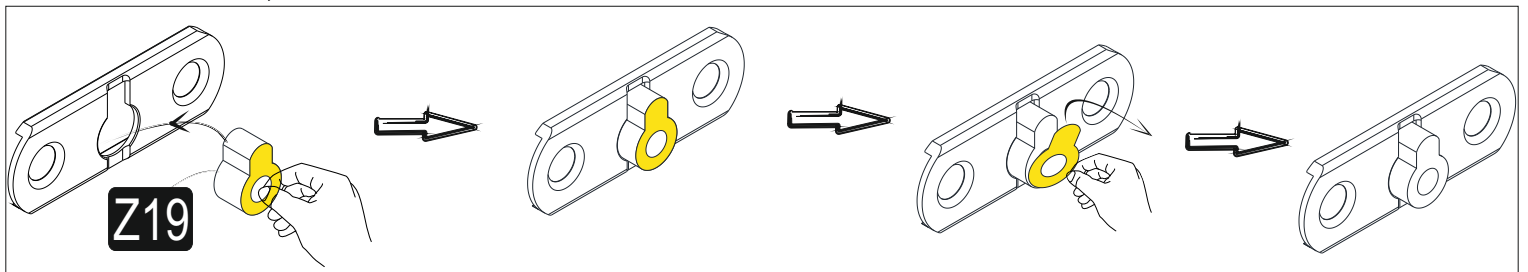
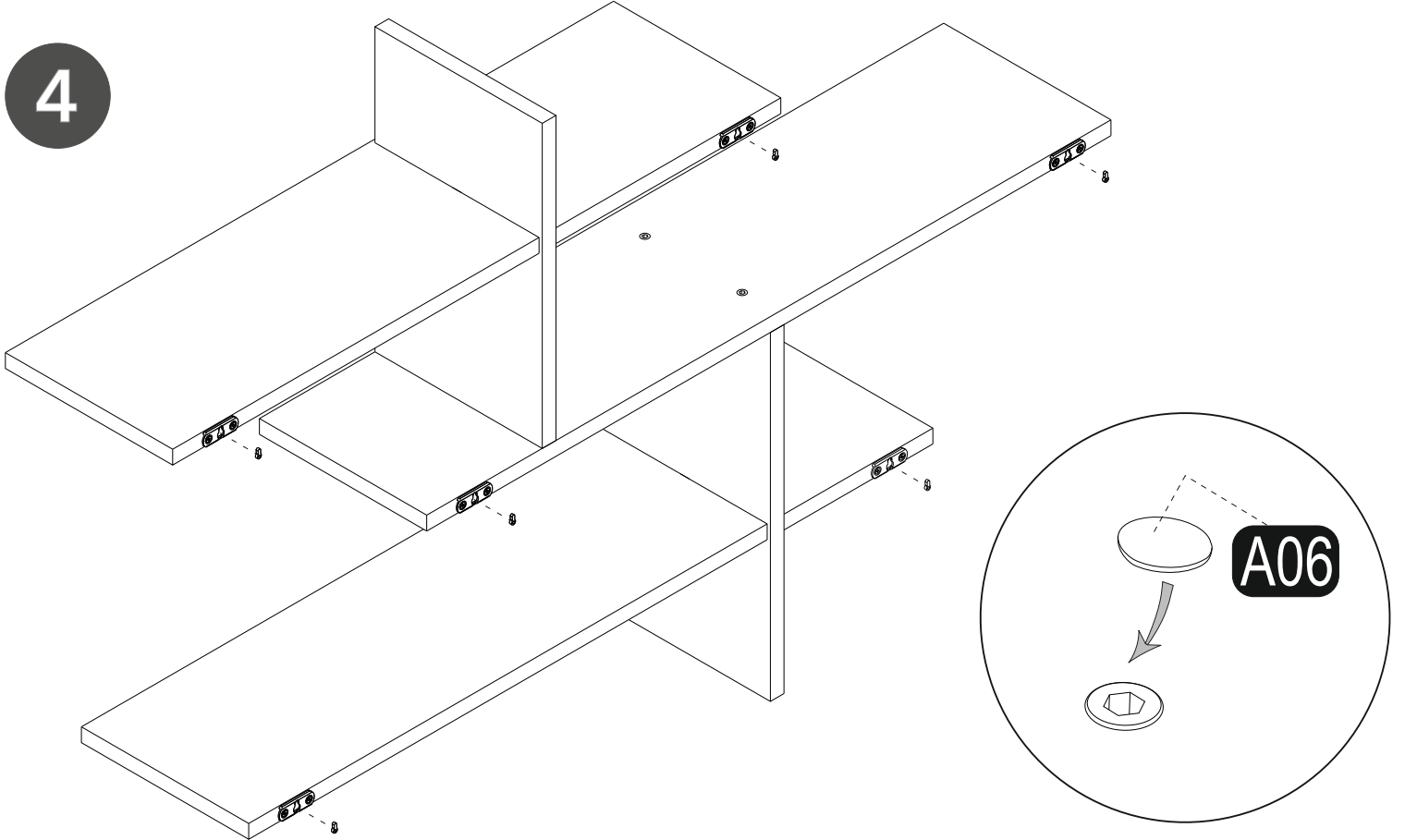
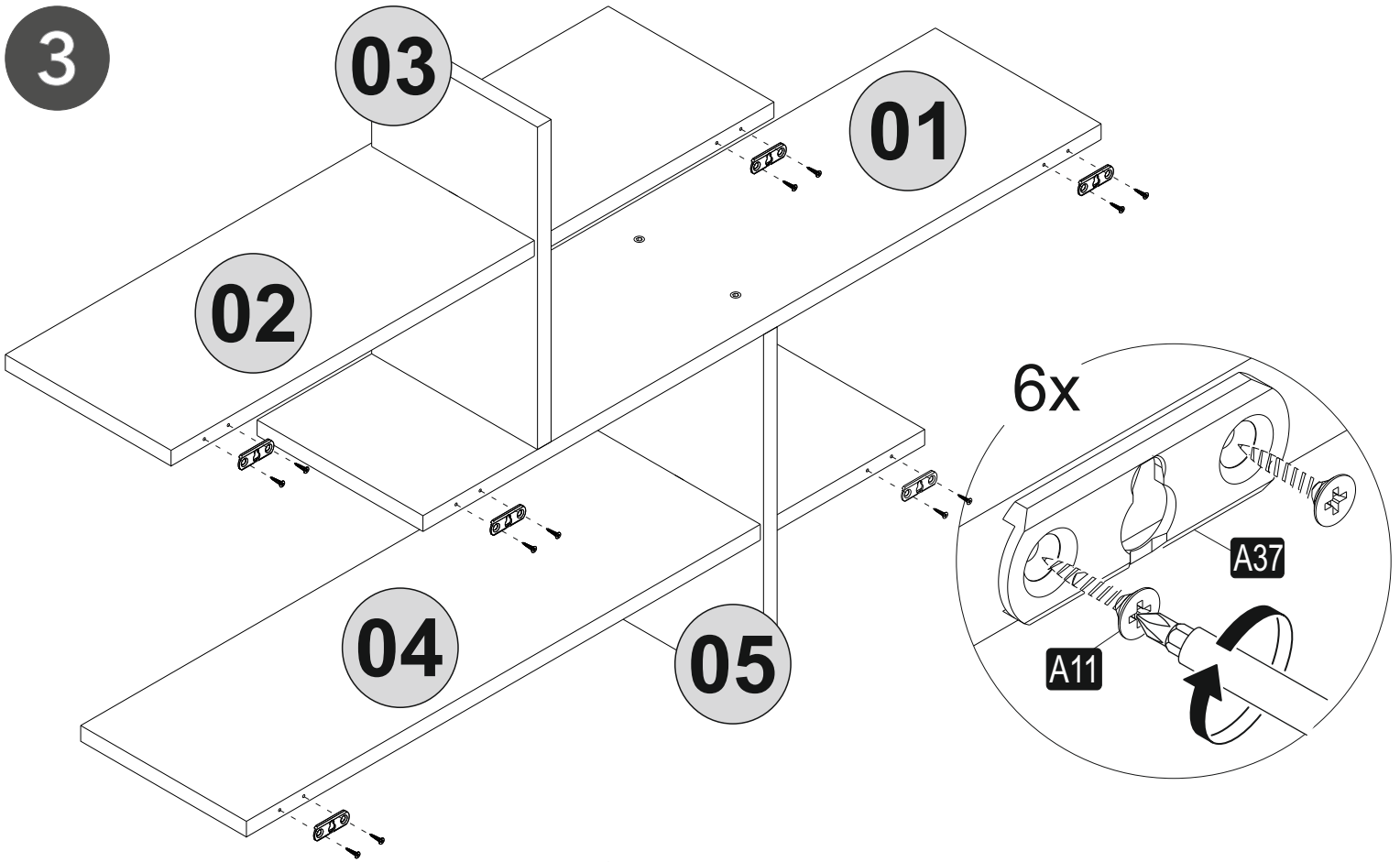


# ACCESSORY LIST

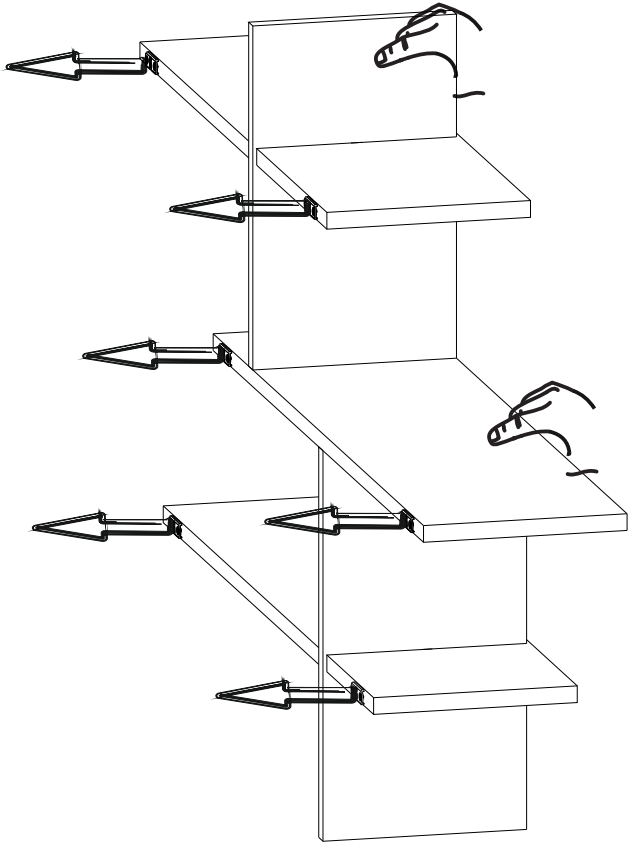
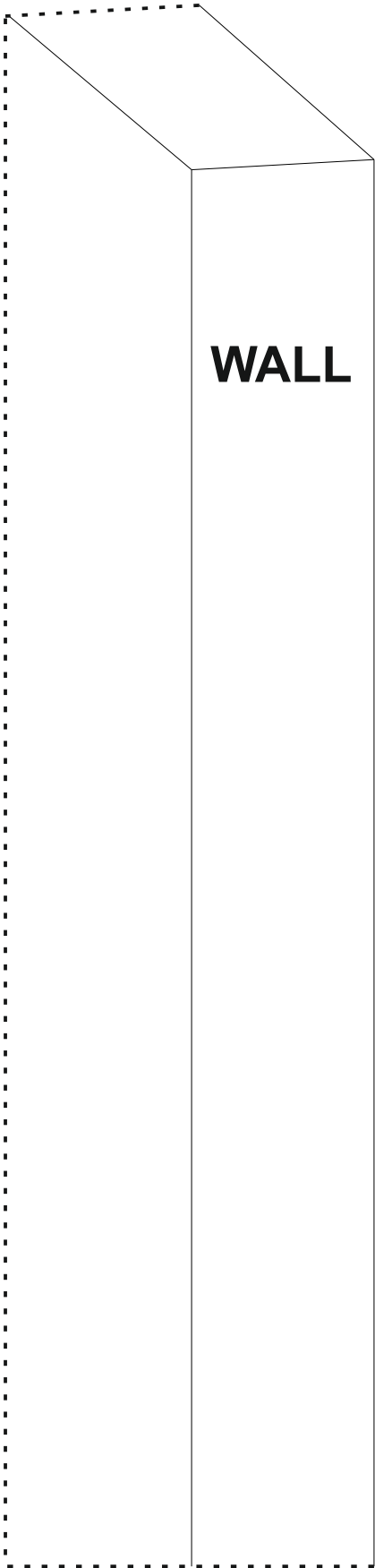
<b>A12</b>  Allen <b>1x</b>	<b>A13</b>  50mm <b>4x</b>	<b>A06</b>  18mm <b>C1-4x</b>	<b>A37</b>  45/16 mm <b>6x</b>	<b>Z19</b>  Gbdy <b>6x</b>
<b>A17</b>  4X50 <b>6x</b>	<b>A16</b>  DbØ8 <b>6x</b>	<b>A11</b>  3,5X30 <b>12x</b>		



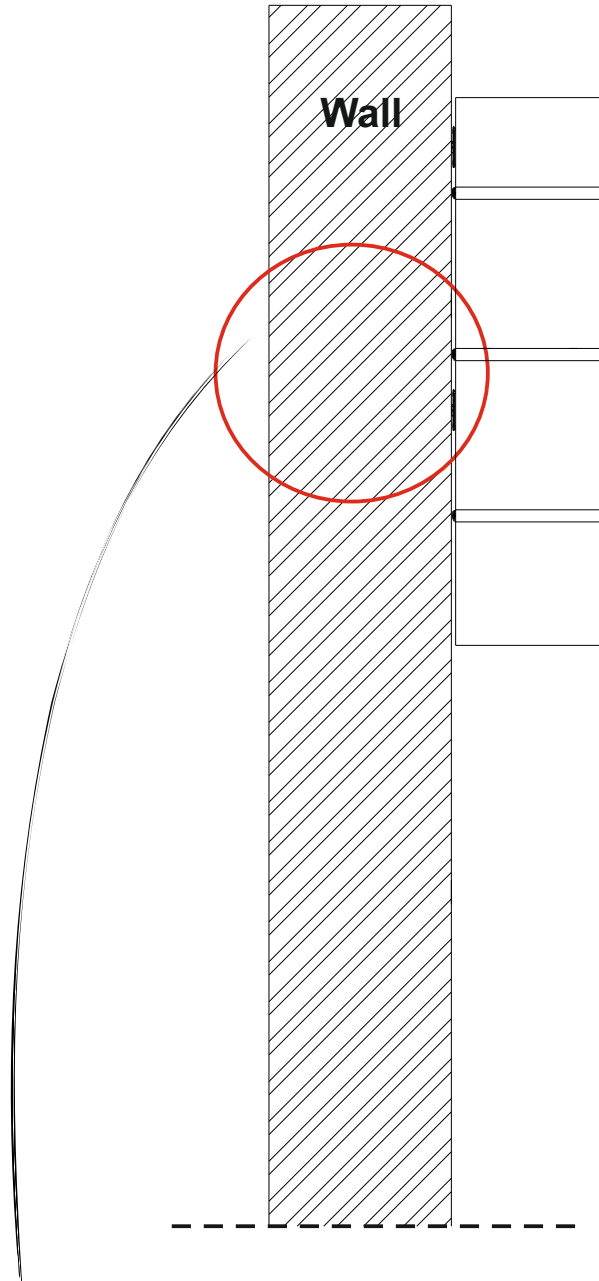




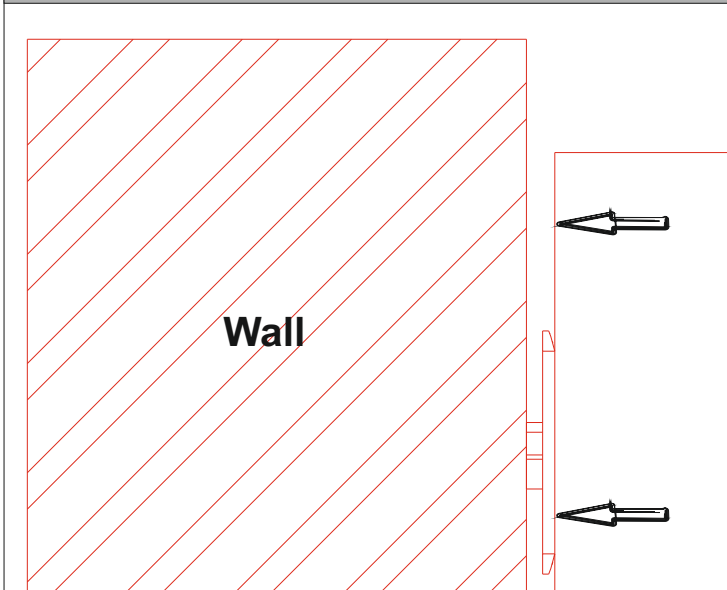
5



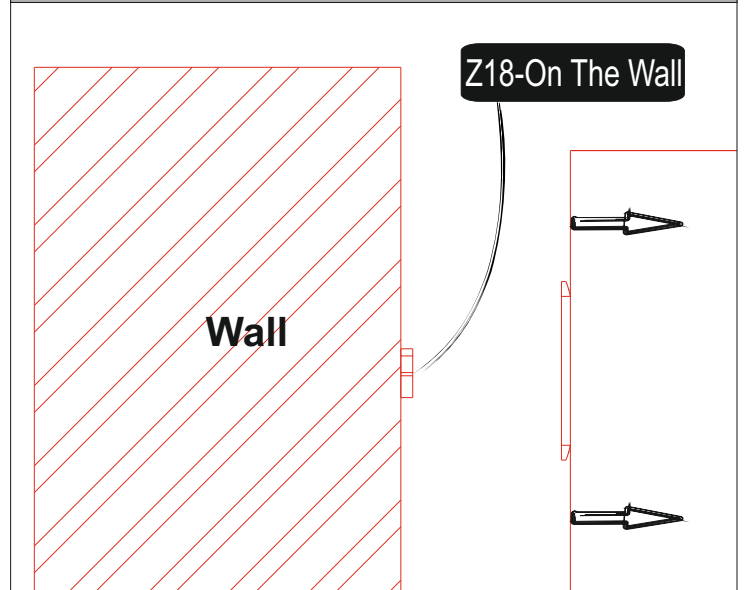
6



### Step - 1



### Step - 2





7

