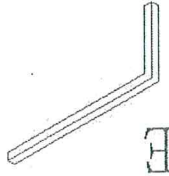

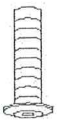
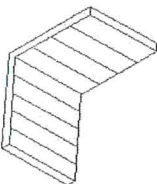
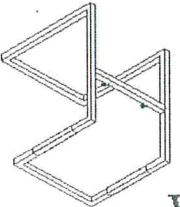
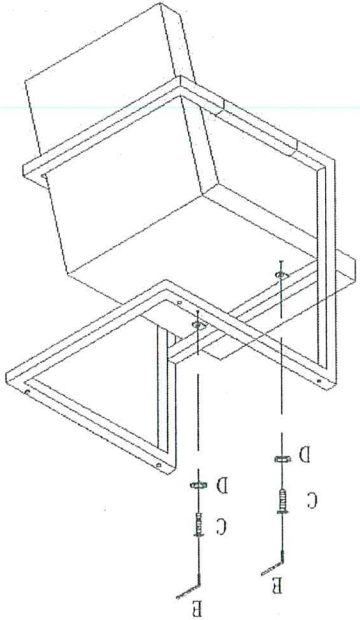
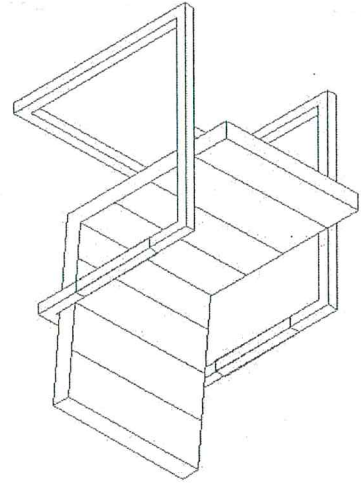


Y1601

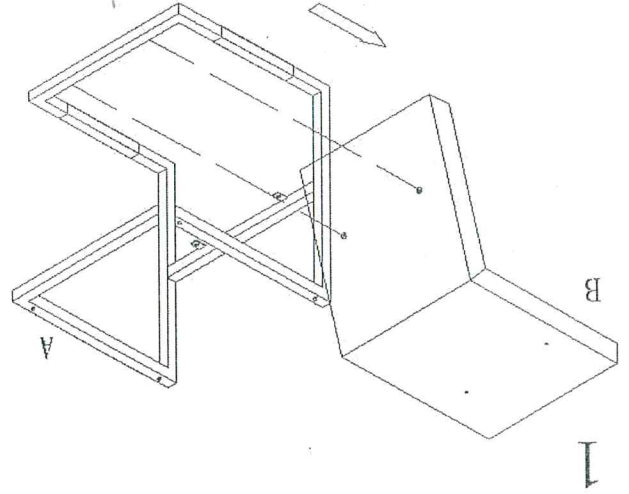
1 ×		E
2 ×		D
2 ×		C
1 ×		B
1 ×		A



2



3



1