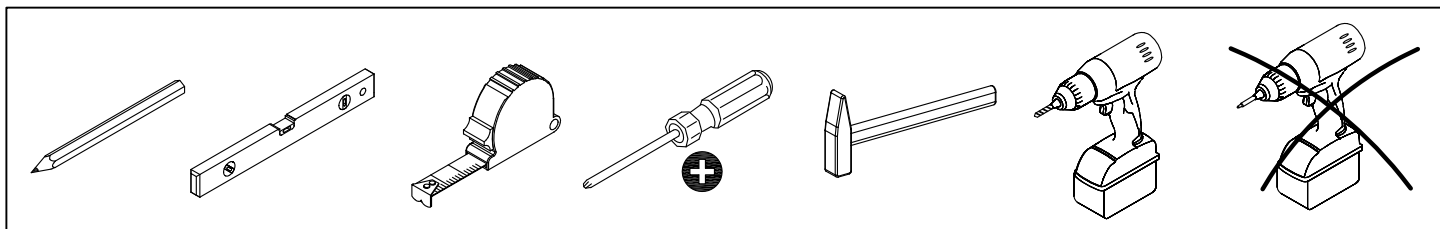
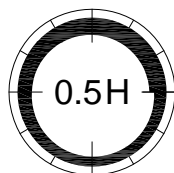
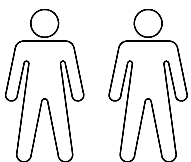
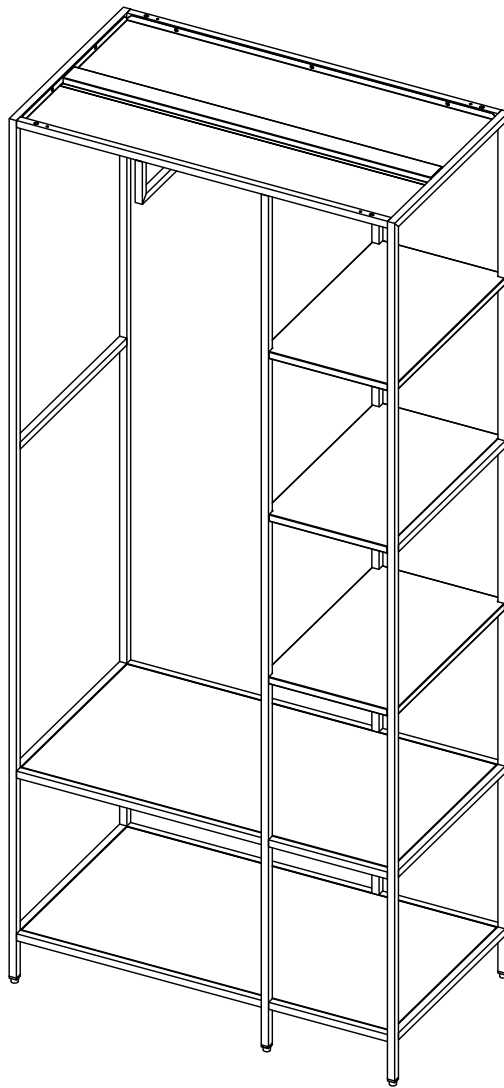
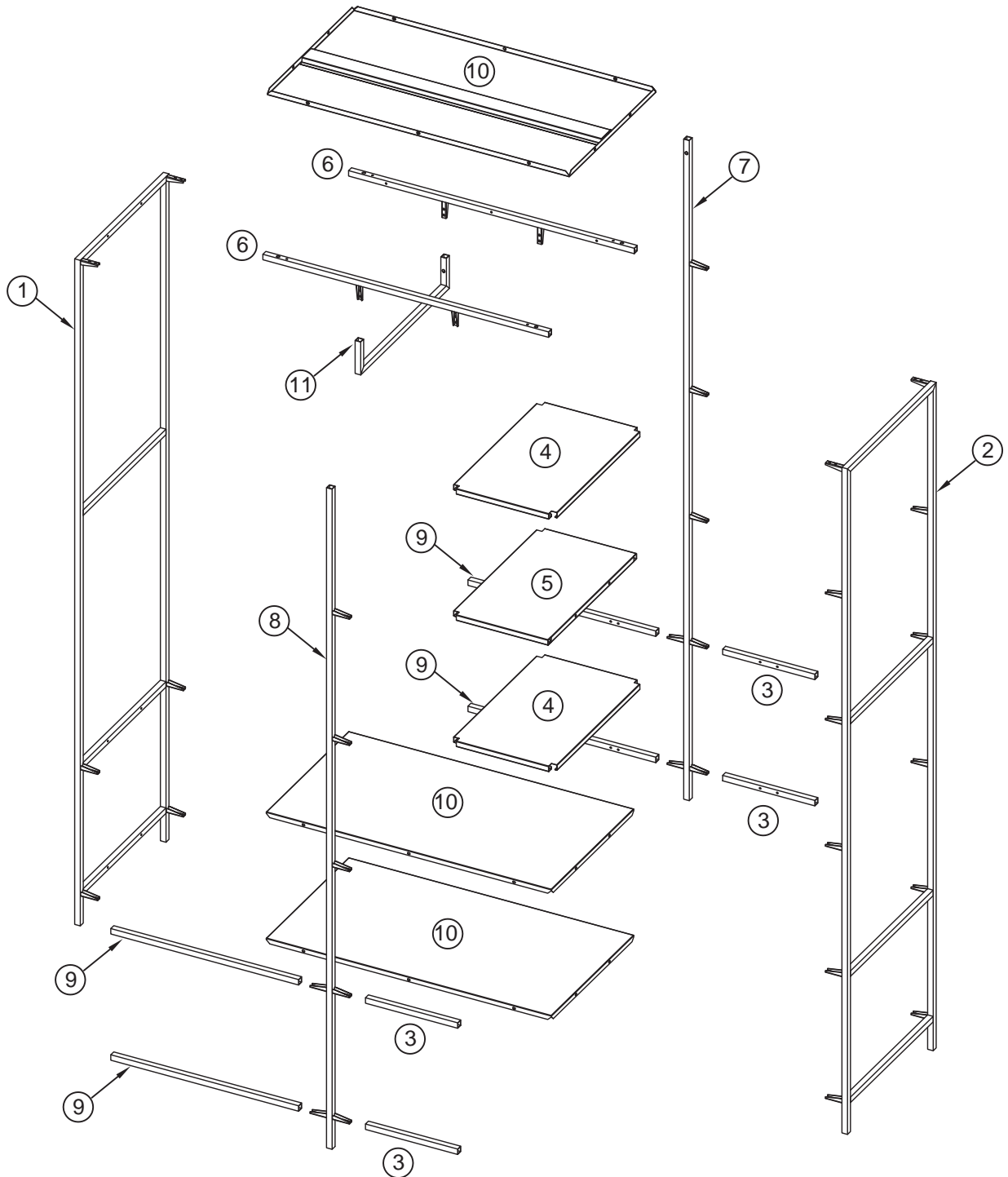



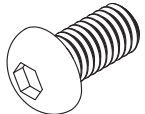
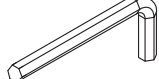
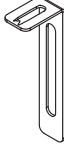
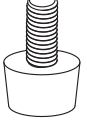
# NEWCASTLE



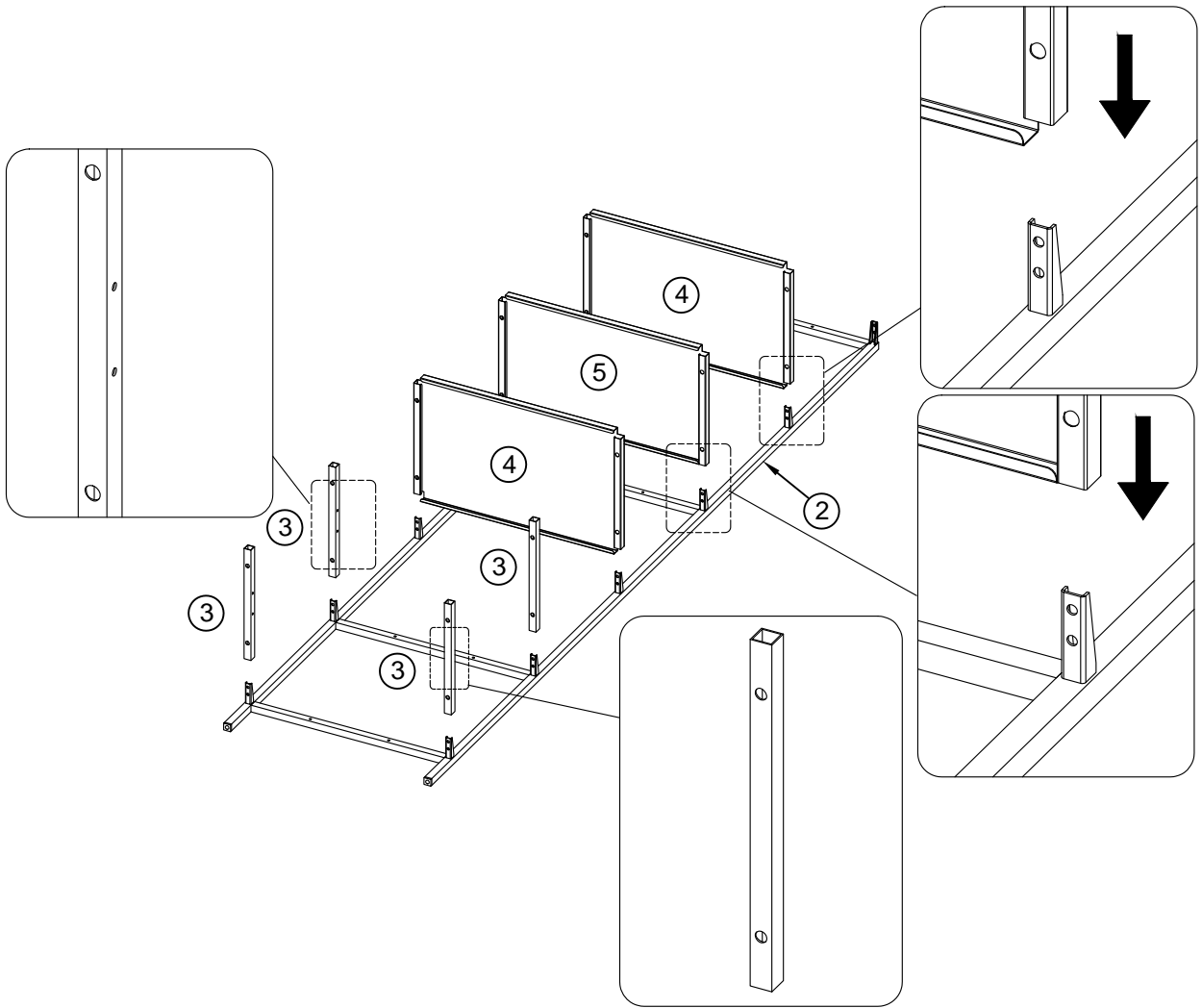
			✓
①	1	1843x450x60	
②	1	1843x450x60	
③	4	247x15x15	
④	2	450x277x15	
⑤	1	450x261x15	
⑥	2	765x60x15	

			✓
⑦	1	1824x105x15	
⑧	1	1824x105x15	
⑨	4	503x15x15	
⑩	3	764.5x418x15	
⑪	1	450x91x50	

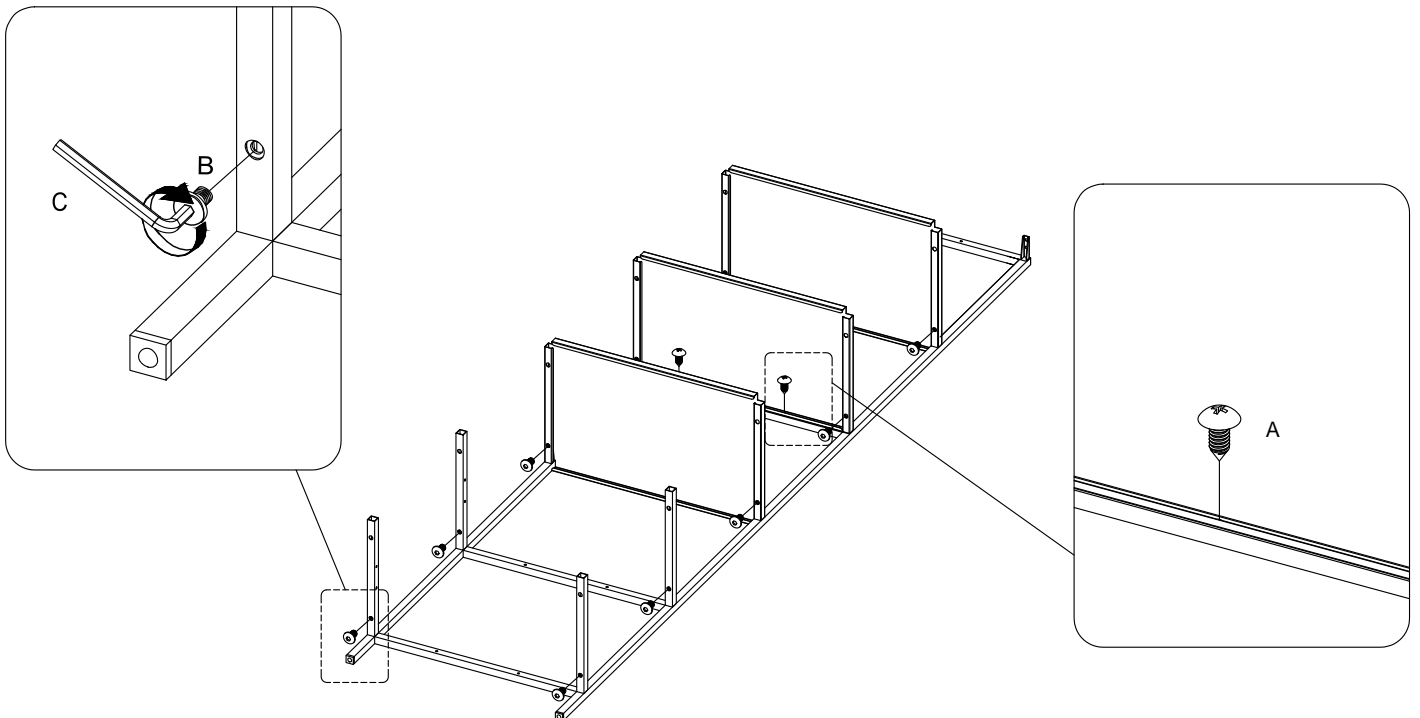
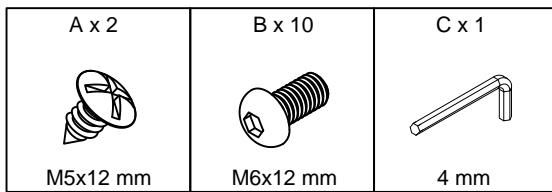


<p>A x 34</p>  <p>M5 x 12 mm</p>	<p>B x 36</p>  <p>M6 x 12 mm</p>	<p>C x 1</p>  <p>4 mm</p>	<p>D x 2</p>  <p>75 x 25 x 15 mm</p>	<p>E x 6</p>  <p>M6 x 15 mm</p>
---	---	--	---	--

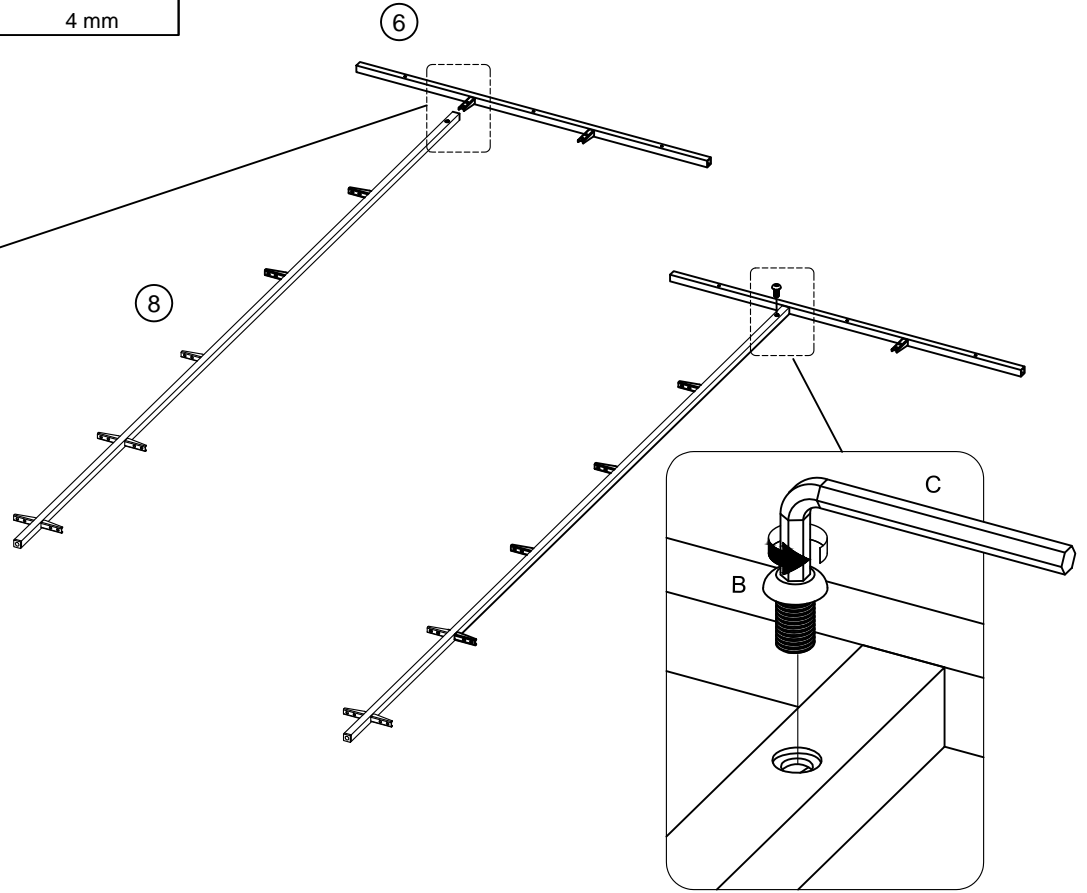
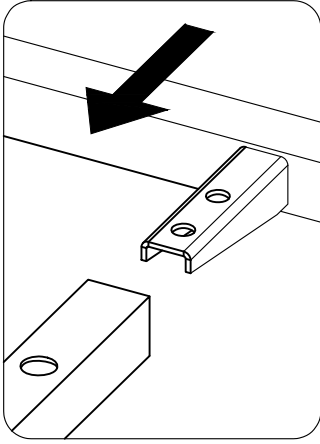
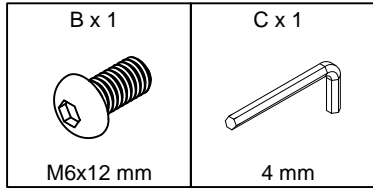
# 1



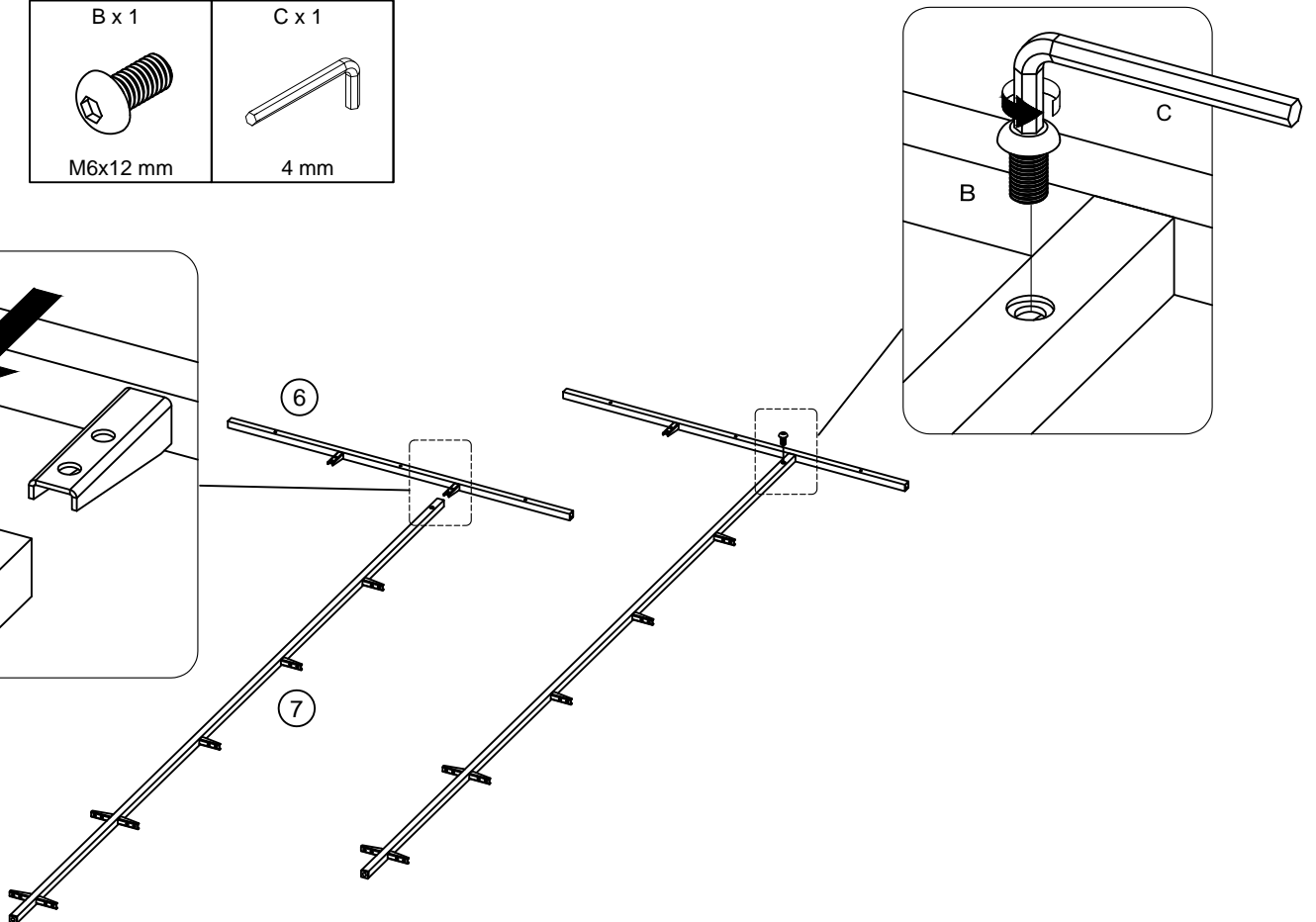
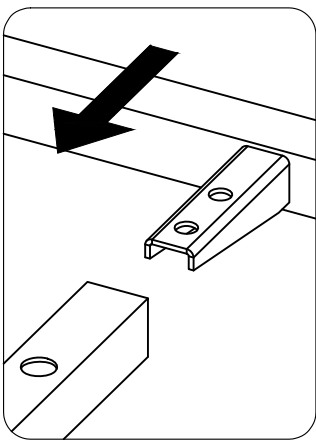
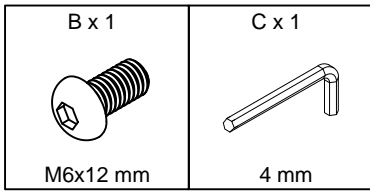
# 2



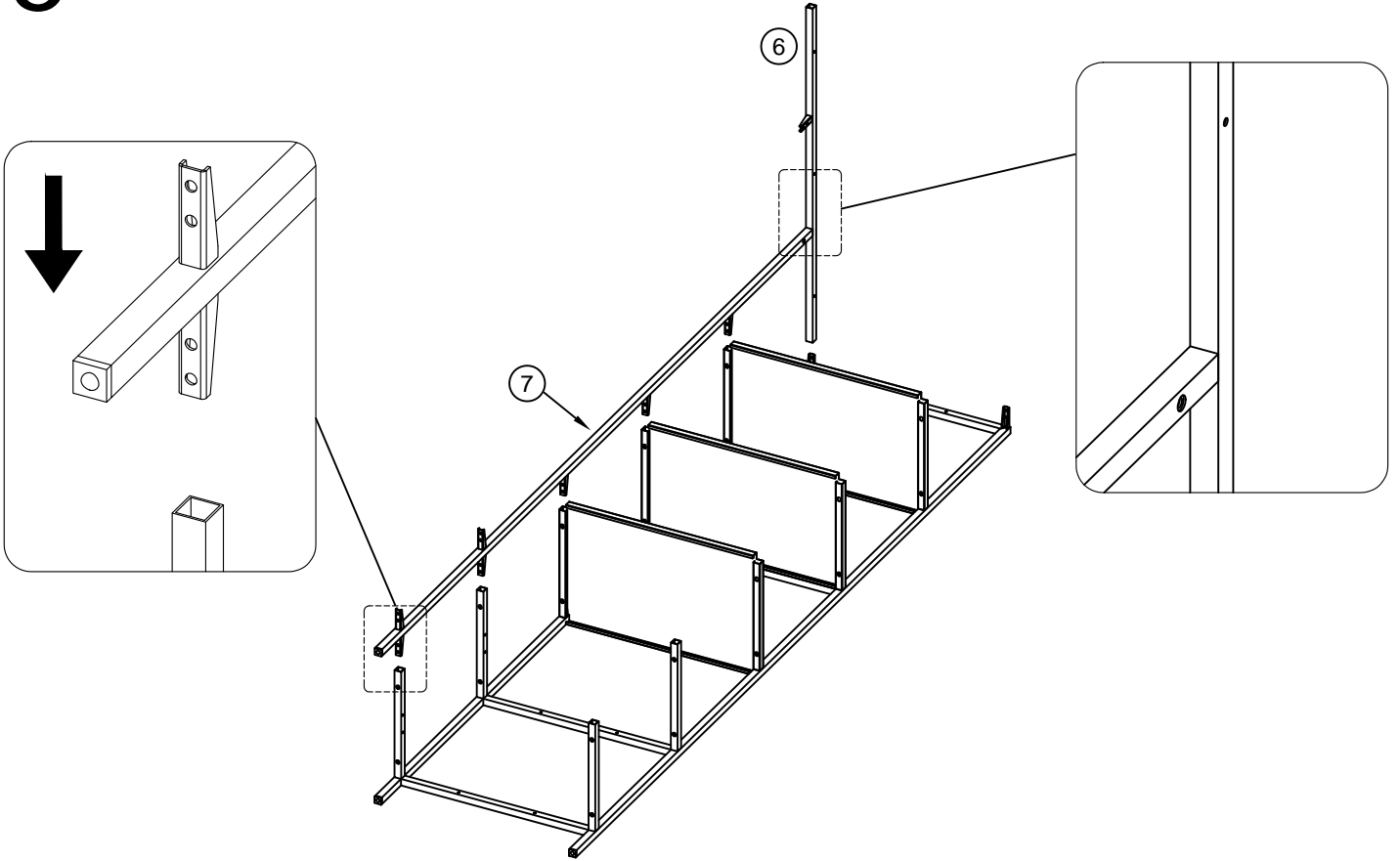
# 3



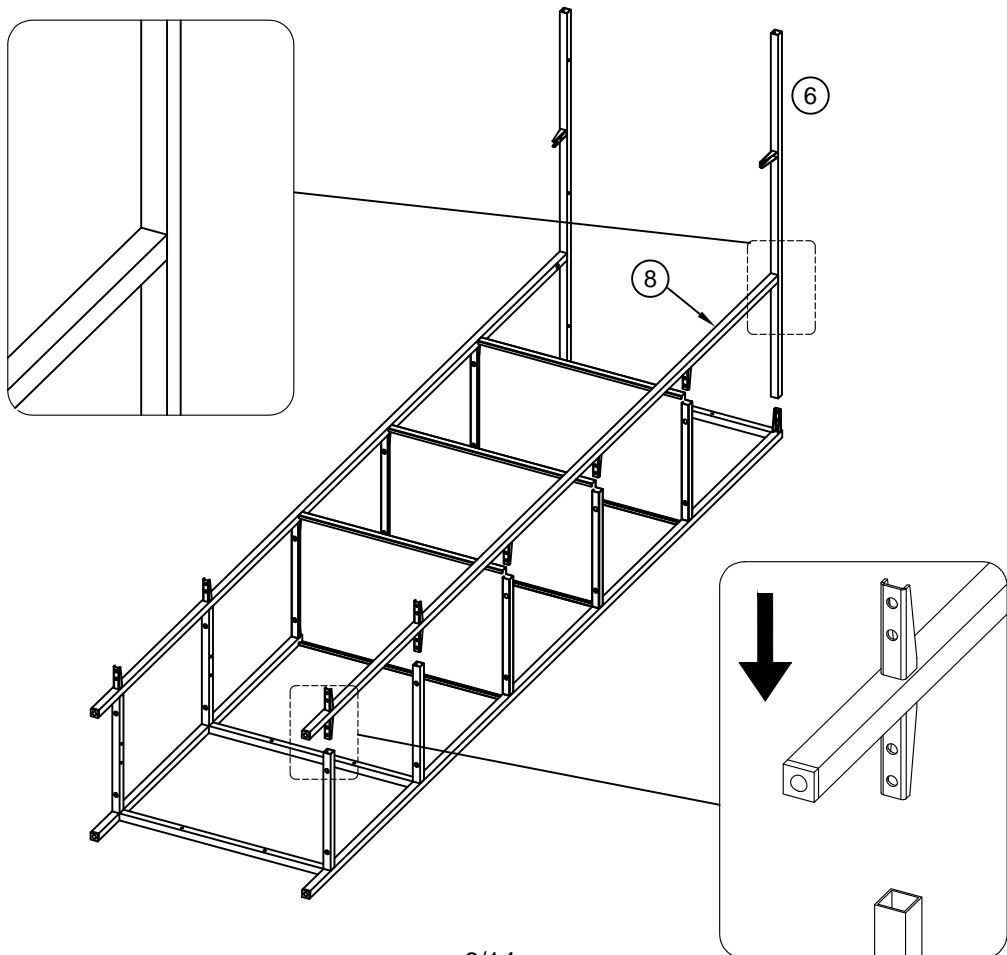
# 4



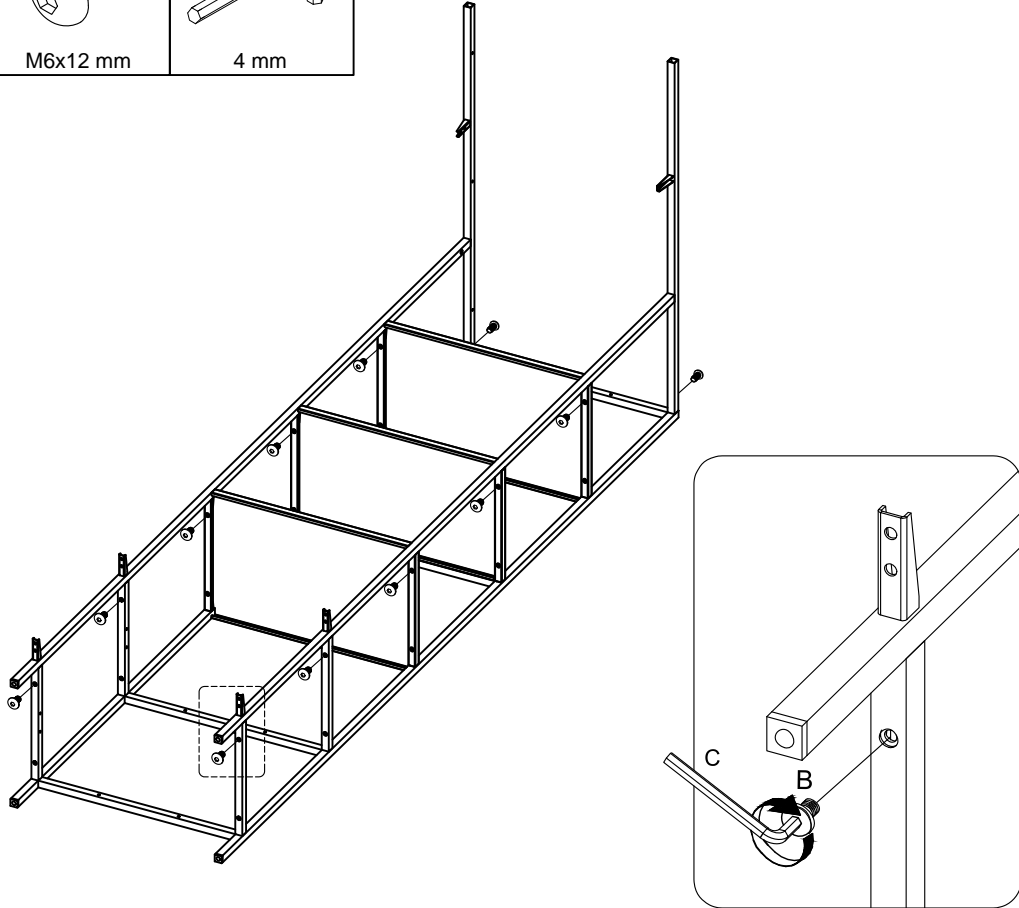
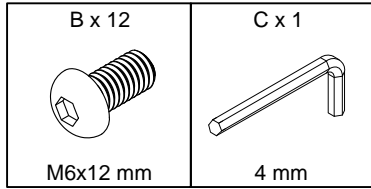
# 5



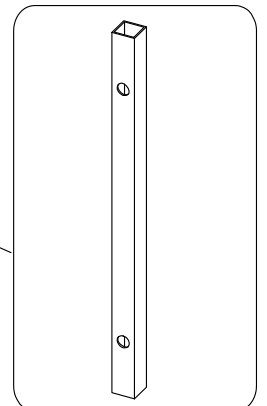
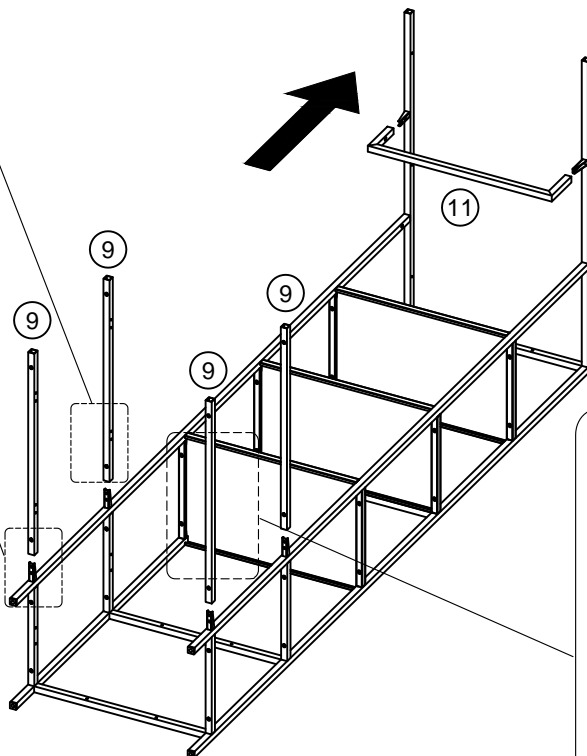
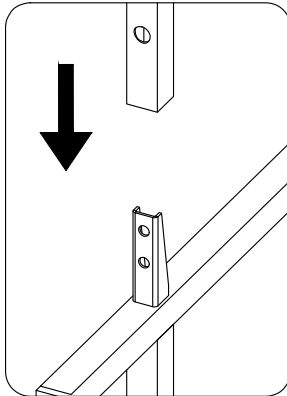
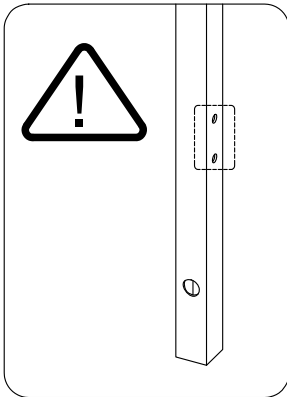
# 6



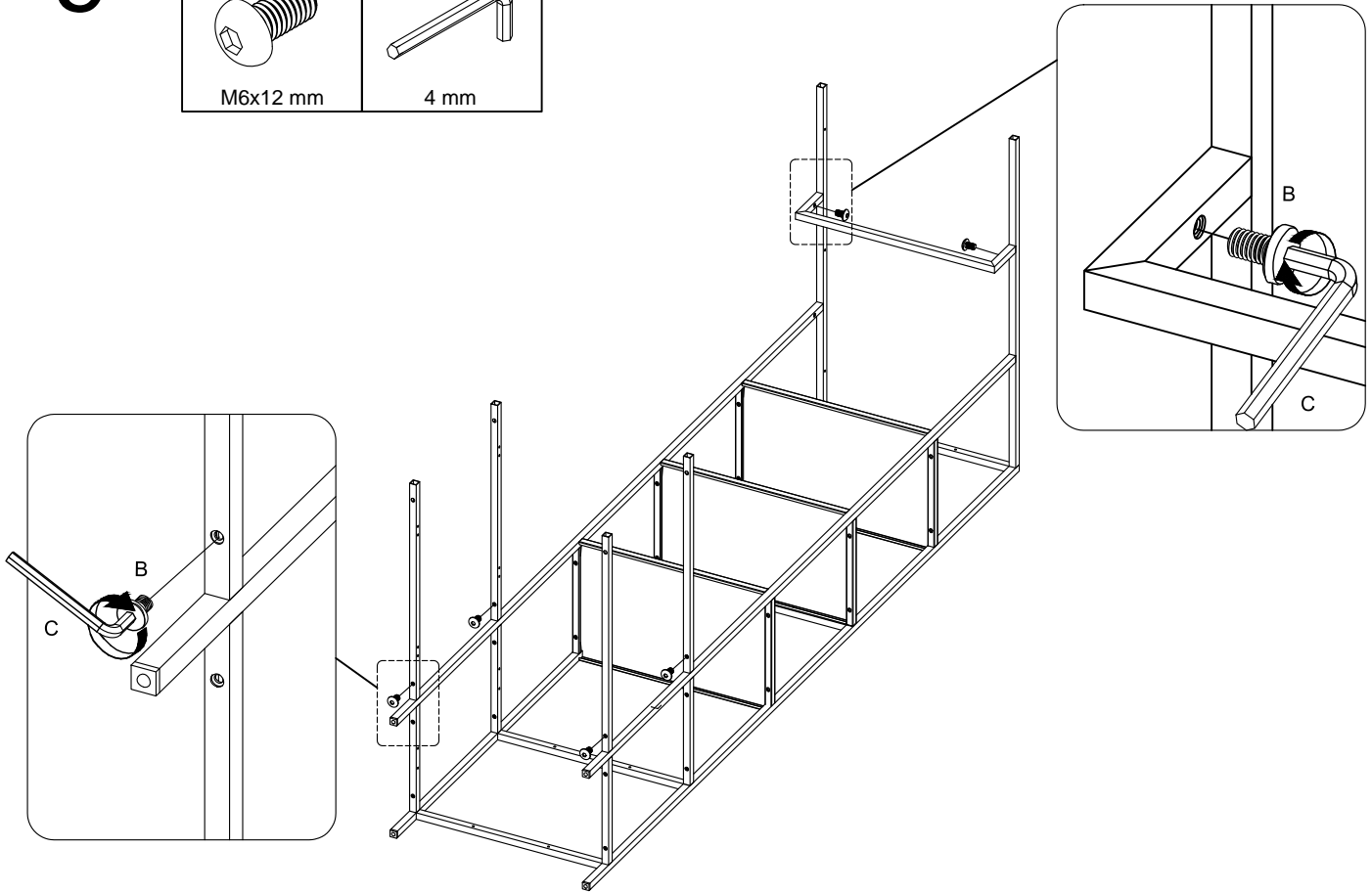
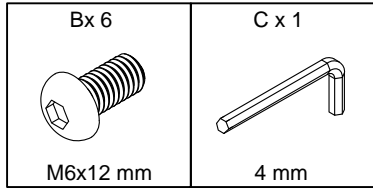
# 7



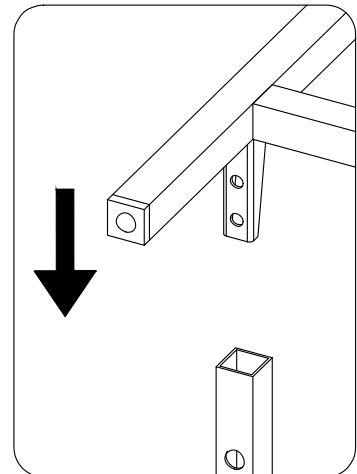
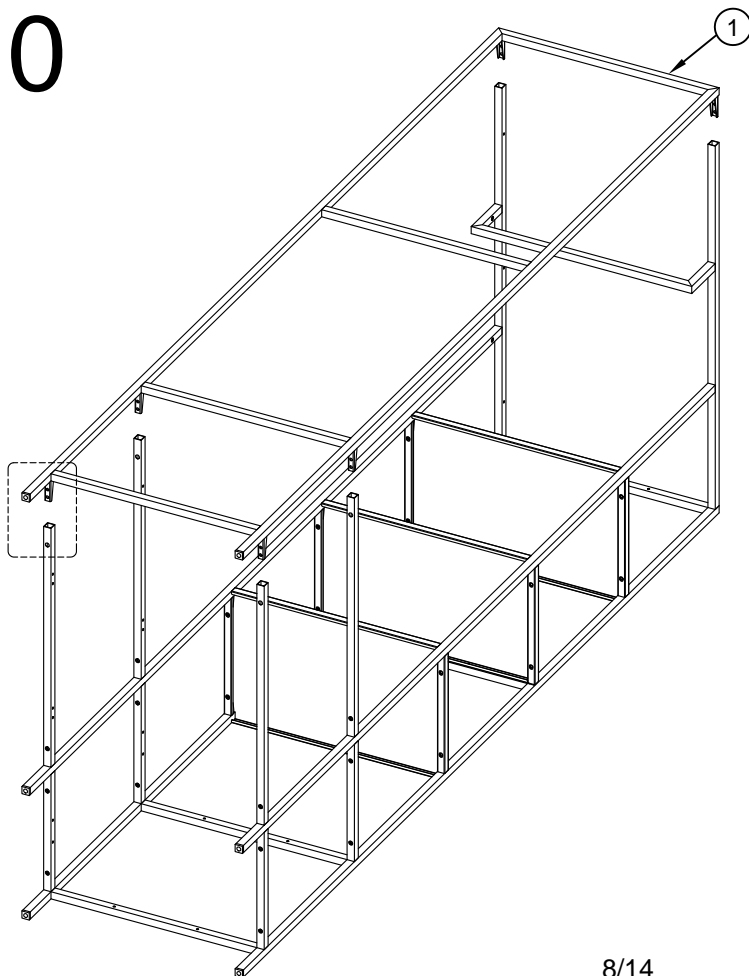
# 8



# 9

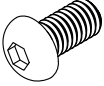



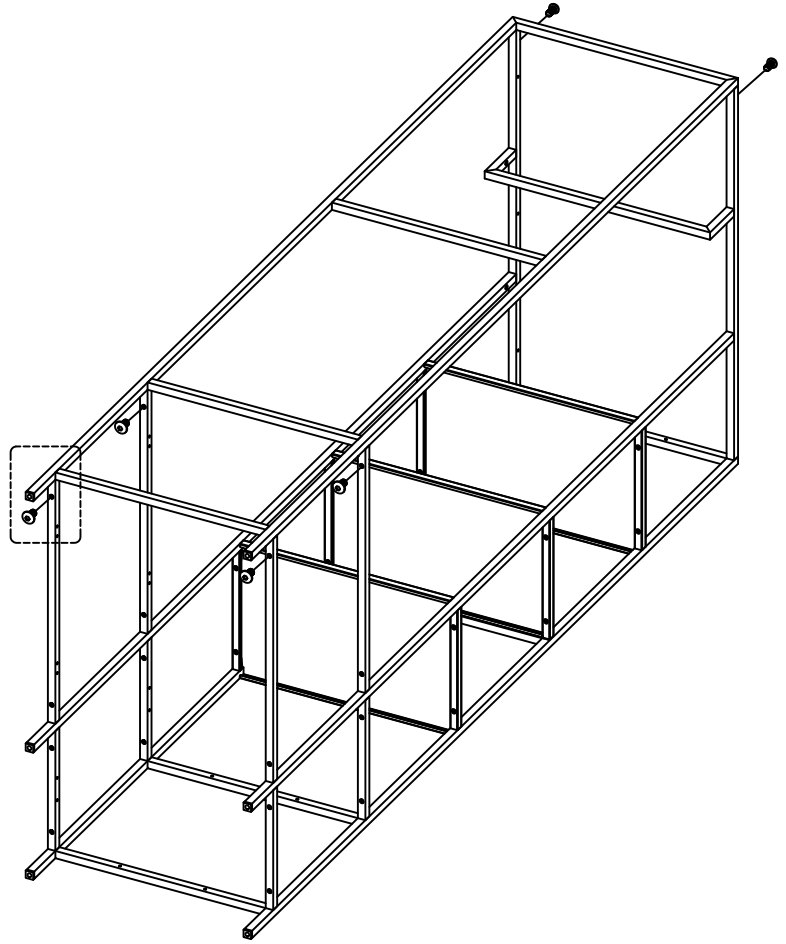
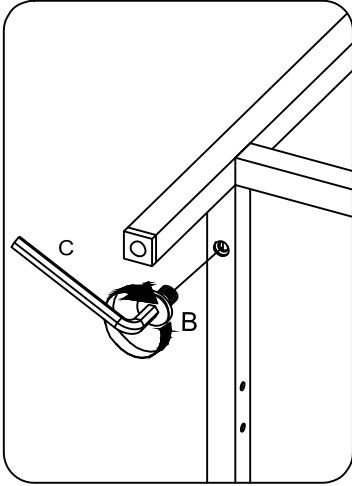
# 10



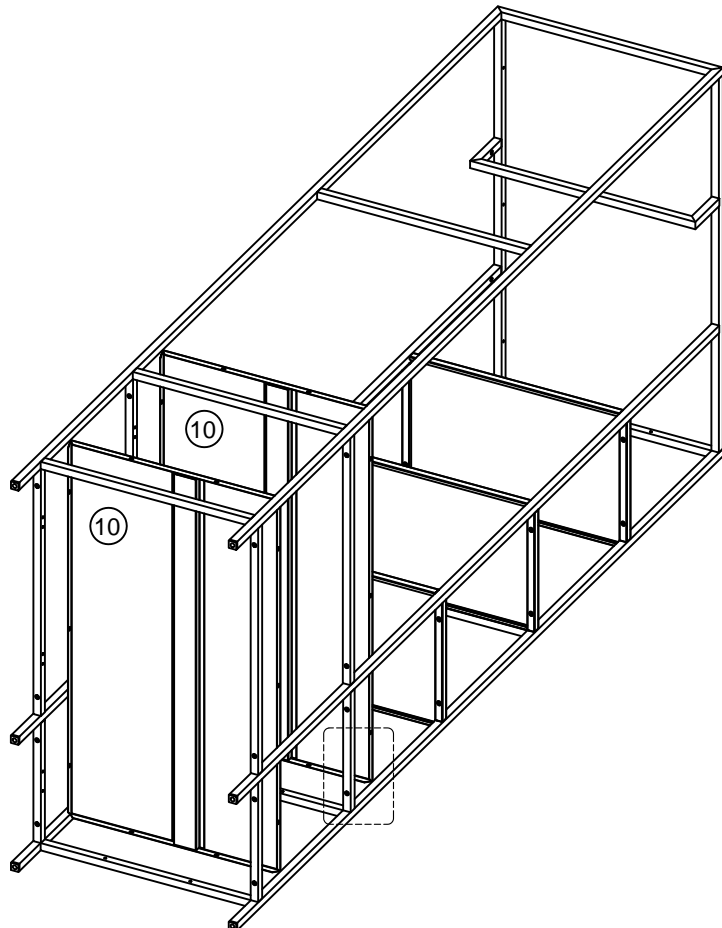
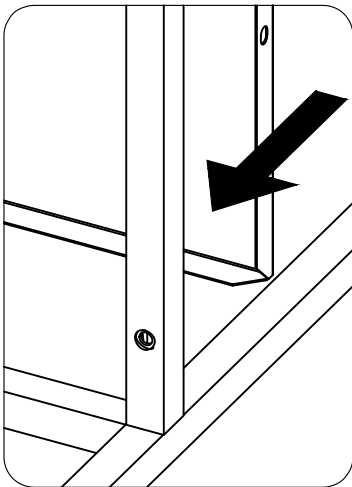


# 11

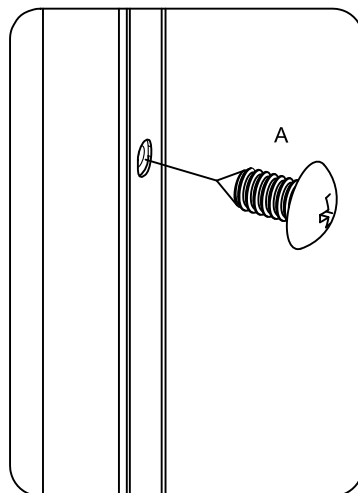
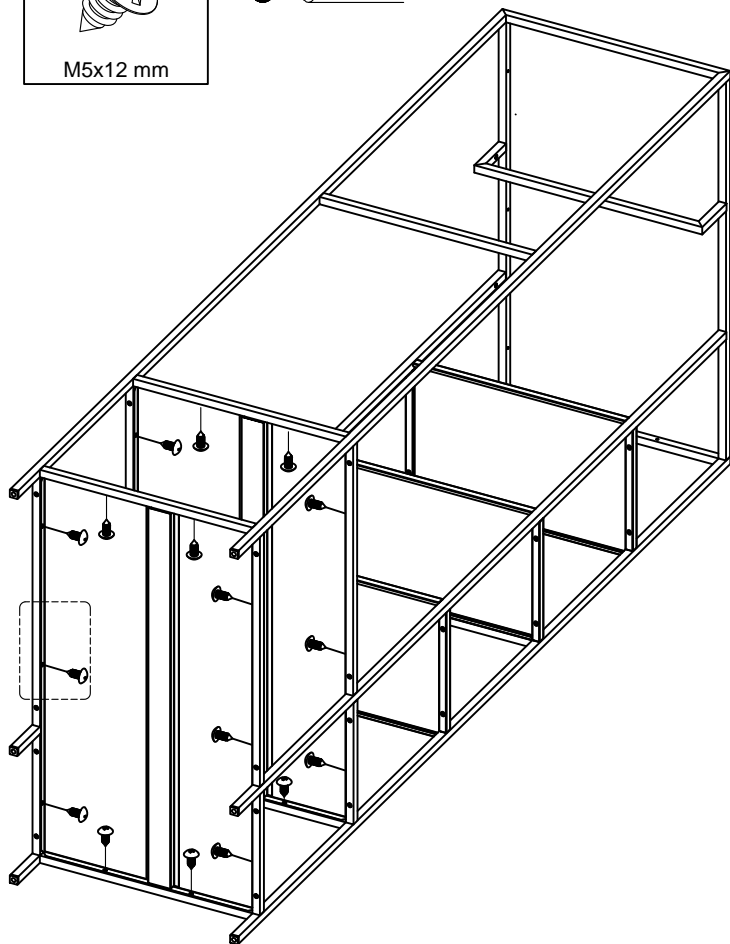
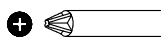
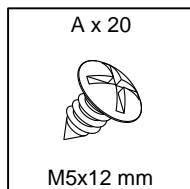
B x 6  M6x12 mm	C x 1  4 mm
--	--



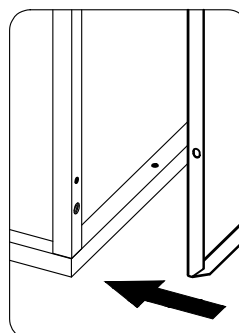
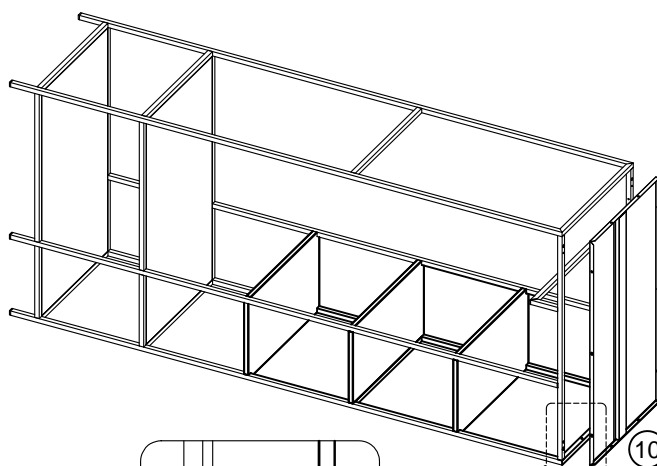
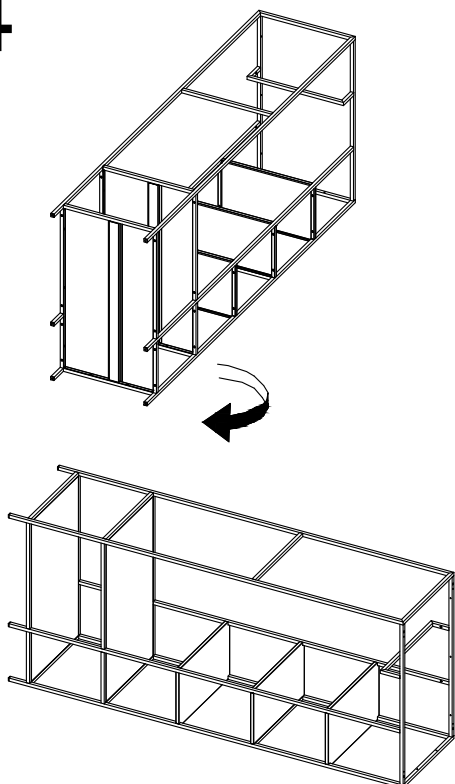
# 12



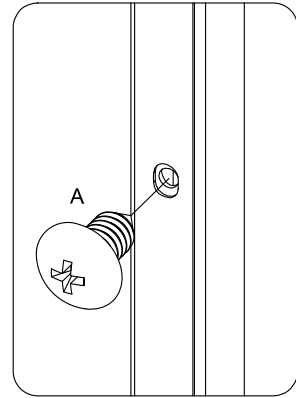
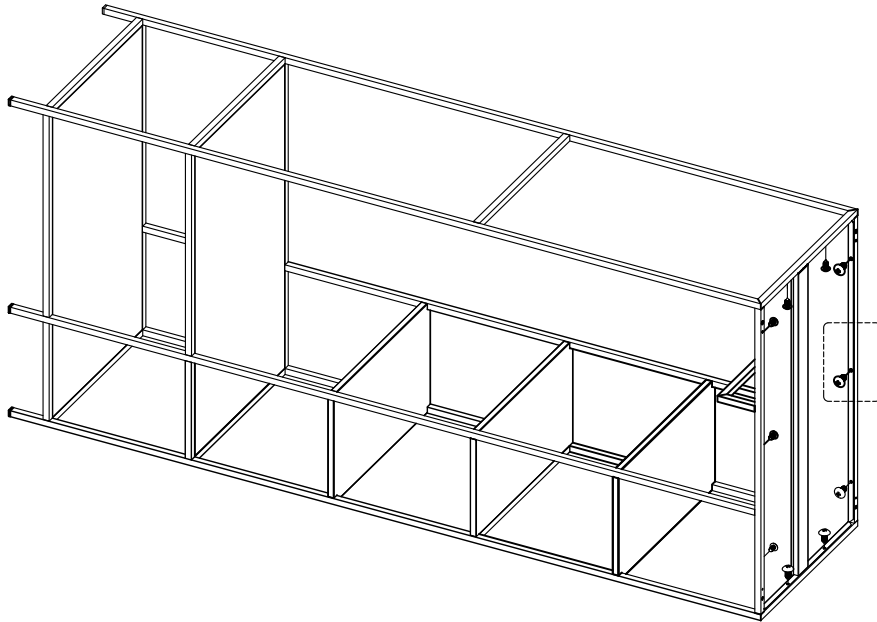
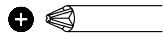
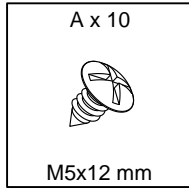
# 13



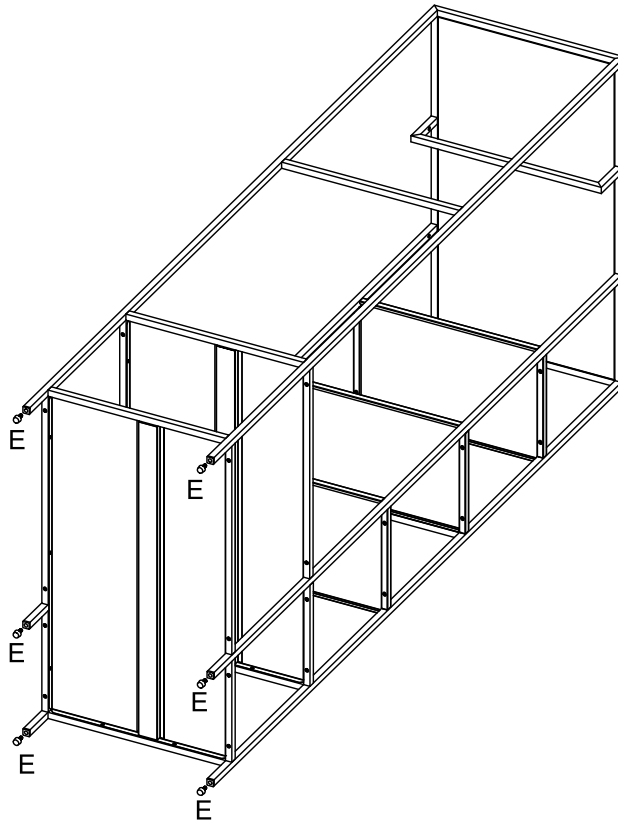
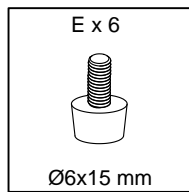
# 14



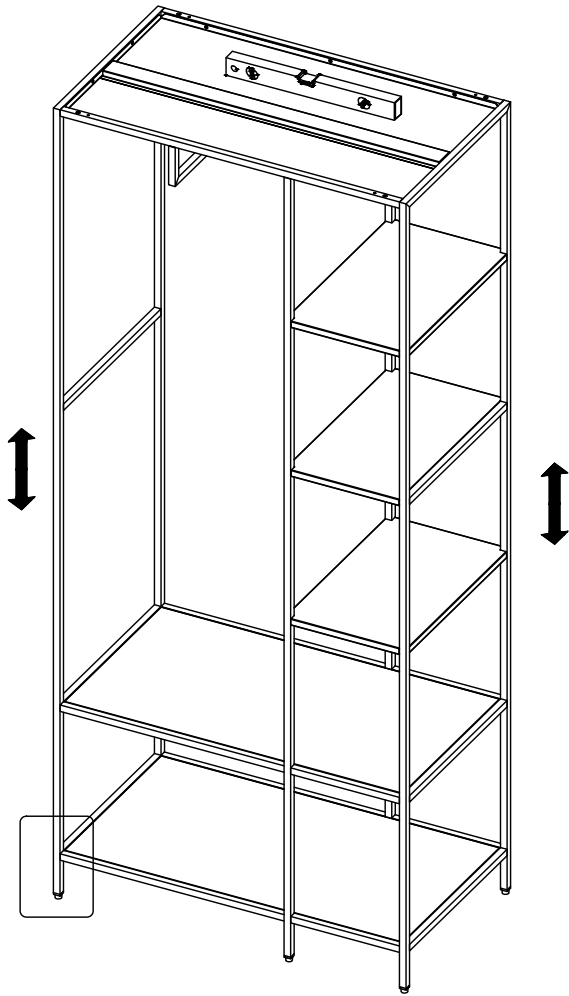
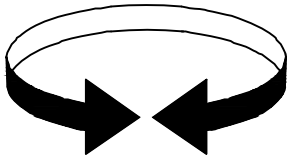
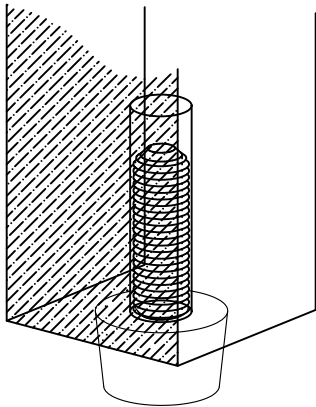
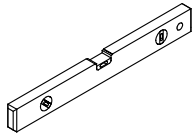
# 15



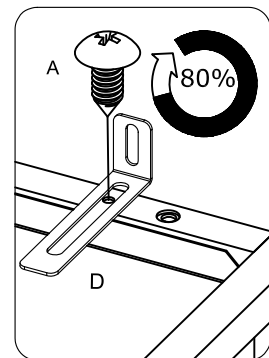
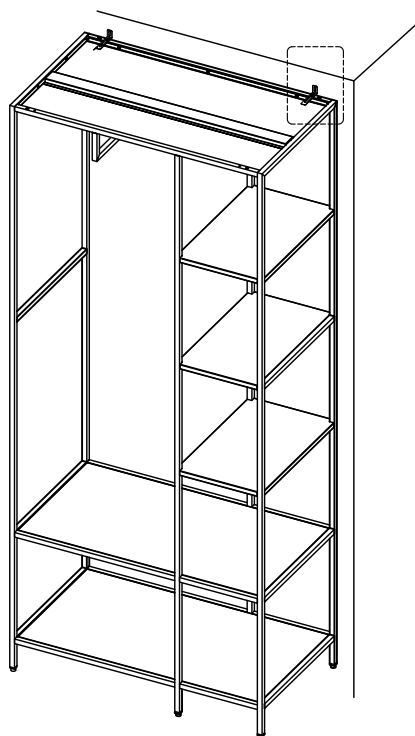
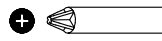
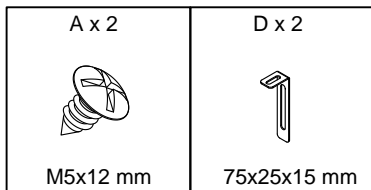
# 16



# 17



# 18



# 19

