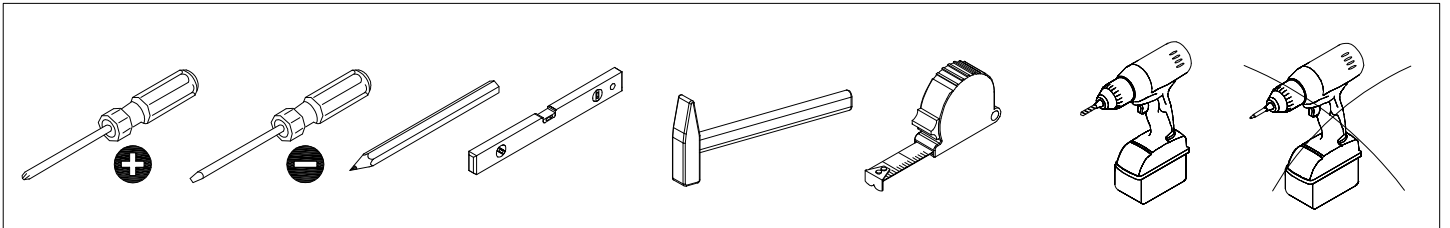
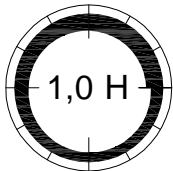
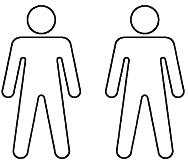
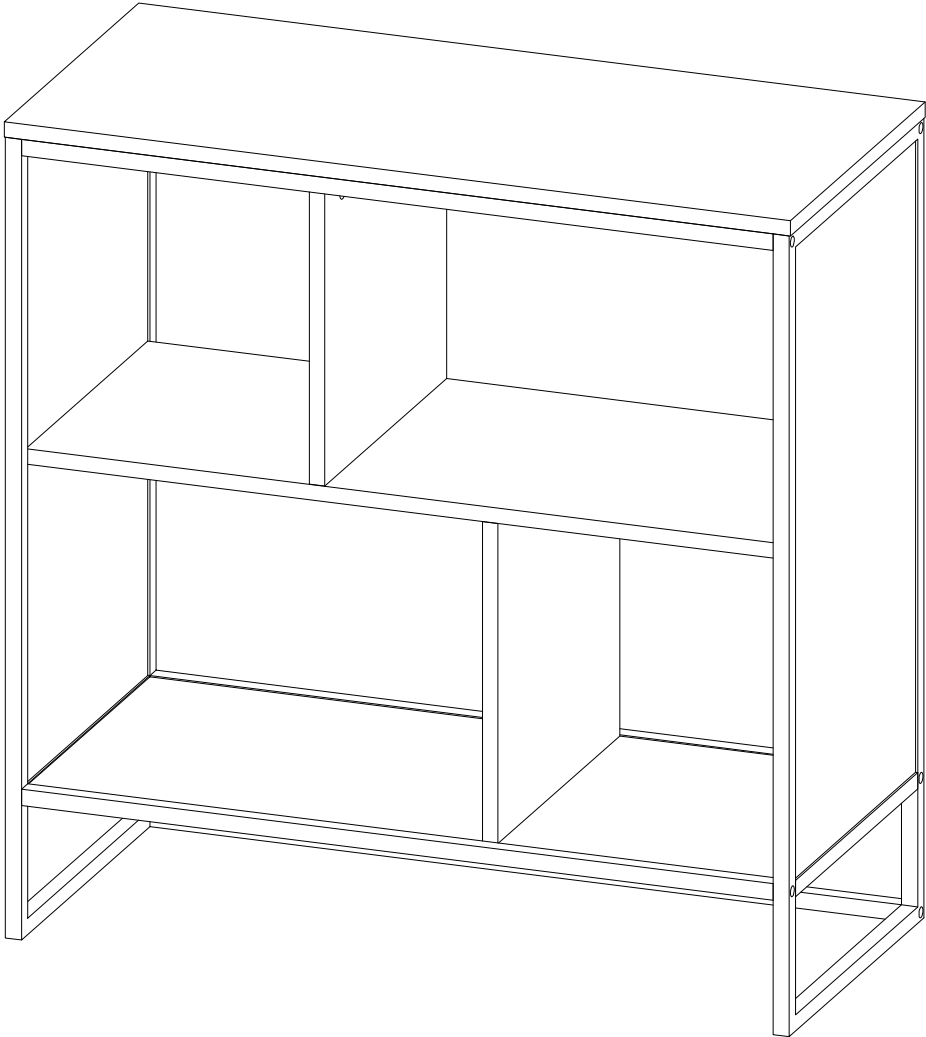
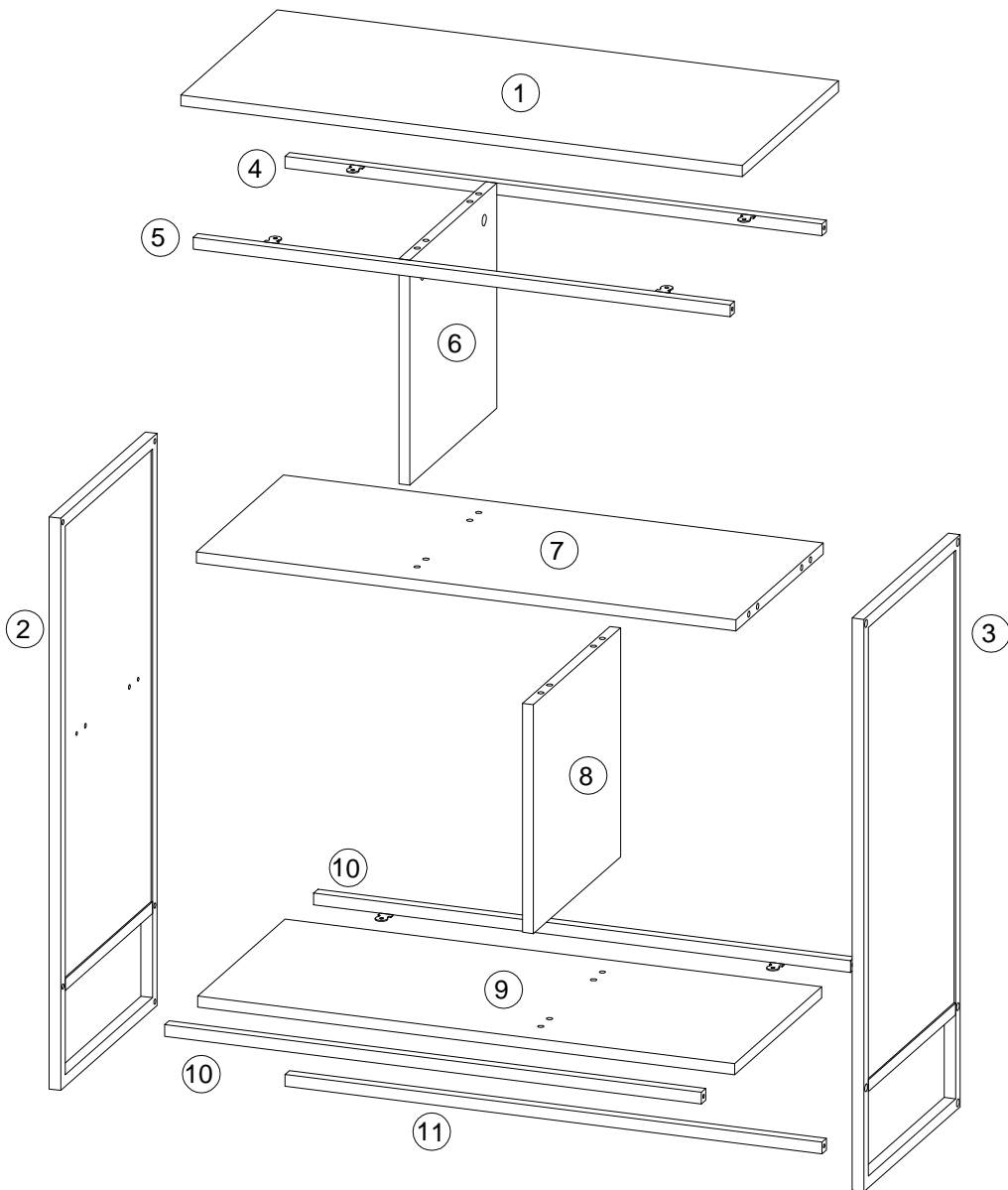


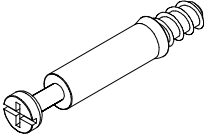

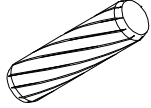
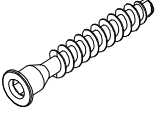
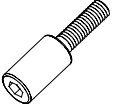
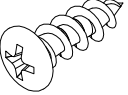

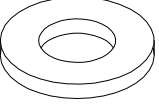
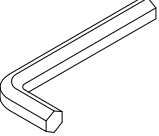
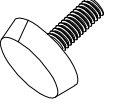

SWINDON



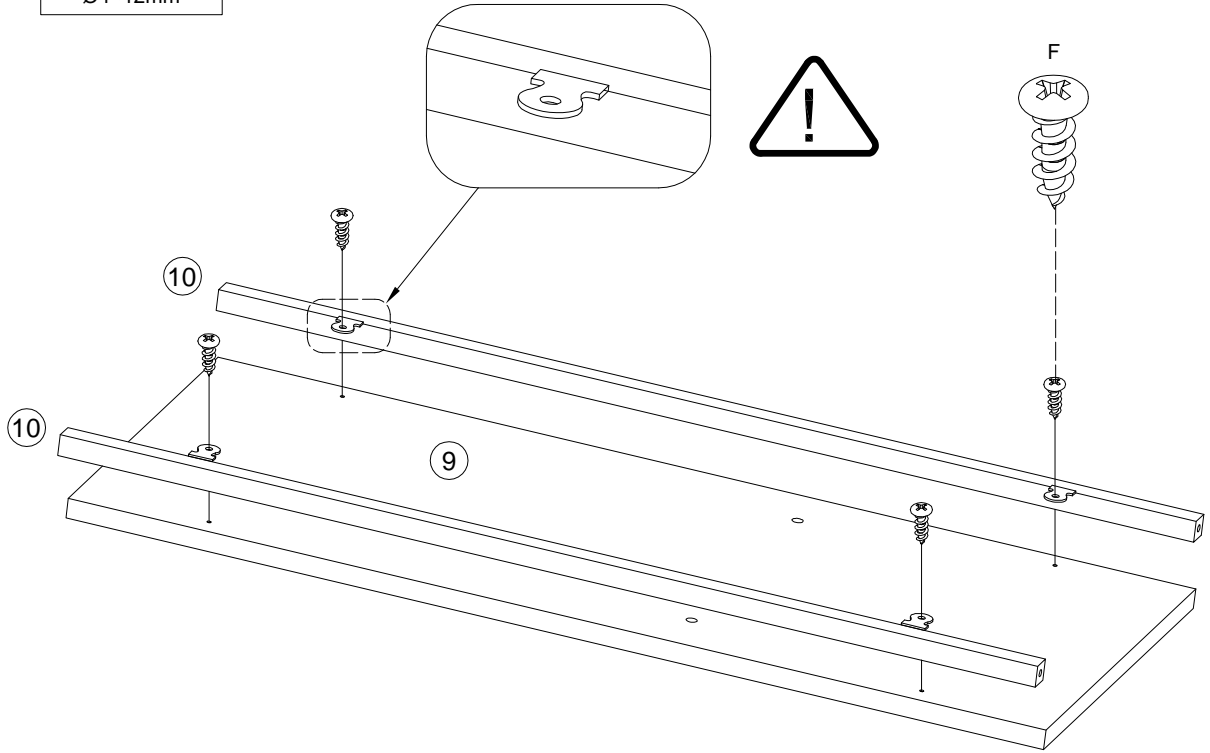
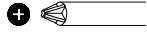
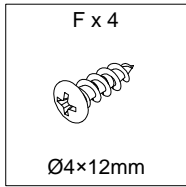
			✓
①	1	772x350x15	
②	1	780x350x16	
③	1	780x350x16	
④	1	738x42x16	
⑤	1	738x42x16	
⑥	1	307x316x15	

			✓
⑦	1	742x317x15	
⑧	1	312x316x15	
⑨	1	738x317x15	
⑩	2	738x42x16	
⑪	1	738x16x16	

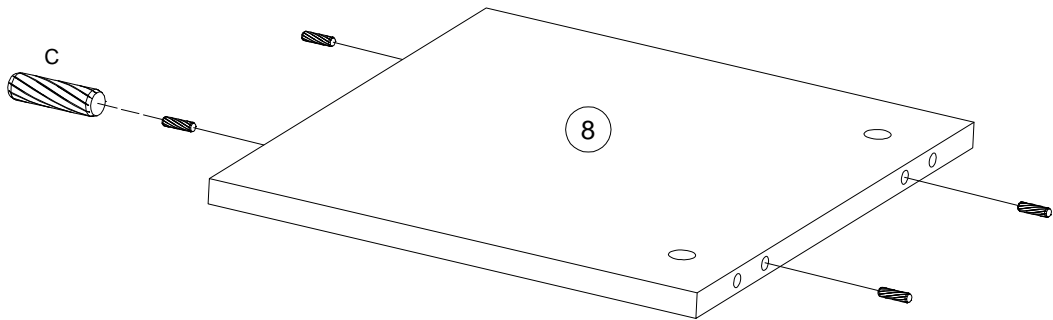
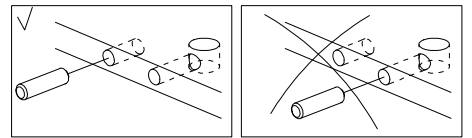
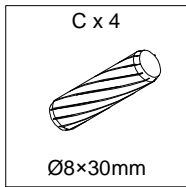


<p>A x 8</p>  <p>Ø6.3×45mm</p>	<p>B x 8</p>  <p>Ø15×12mm</p>	<p>C x 12</p>  <p>Ø8×30mm</p>	<p>D x 4</p>  <p>Ø7×38mm</p>	<p>E x 10</p>  <p>M6×15mm</p>
<p>F x 9</p>  <p>Ø4×12mm</p>	<p>G x 1</p>  <p>150mm</p>	<p>H x 2</p>  <p>Ø6/Ø16mm</p>	<p>J x 1</p>  <p>4mm</p>	<p>K x 4</p>  <p>M6/Ø13mm</p>
<p>L x 4</p>  <p>Ø20mm</p>				

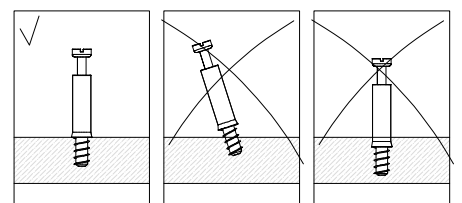
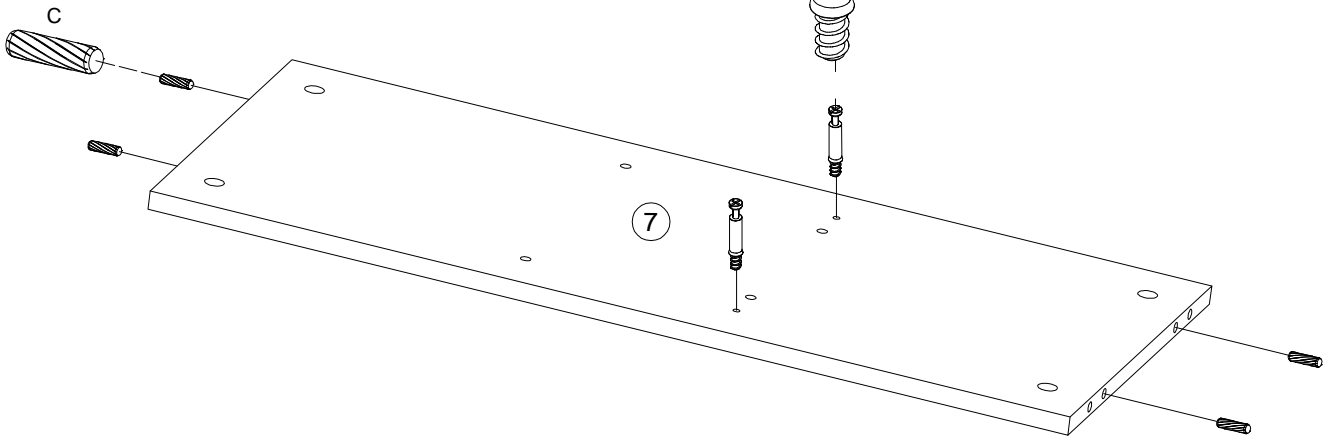
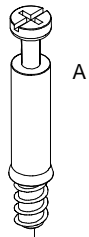
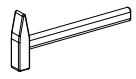
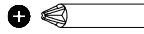
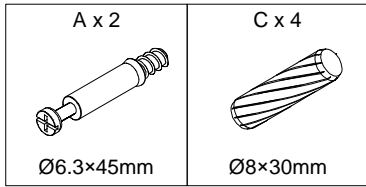
1



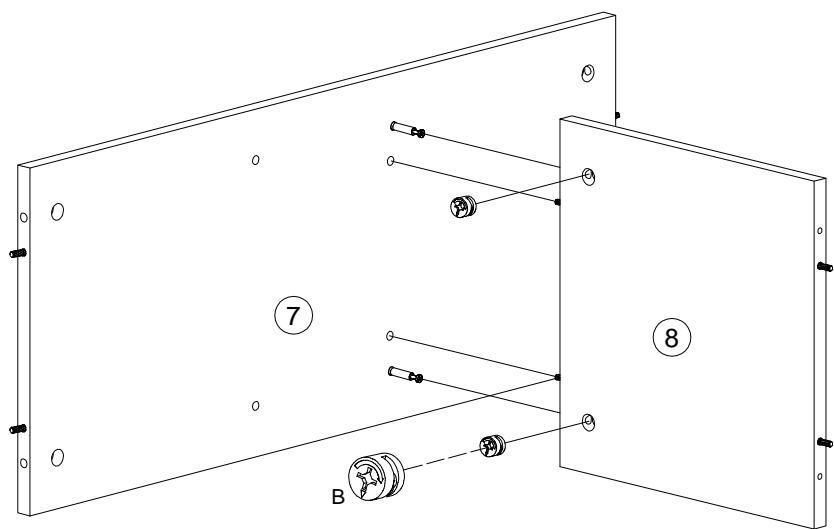
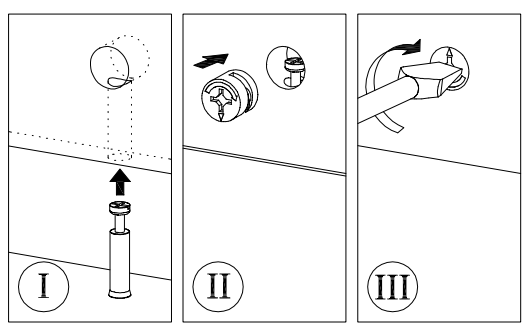
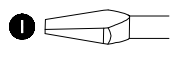
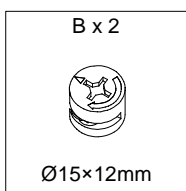
2



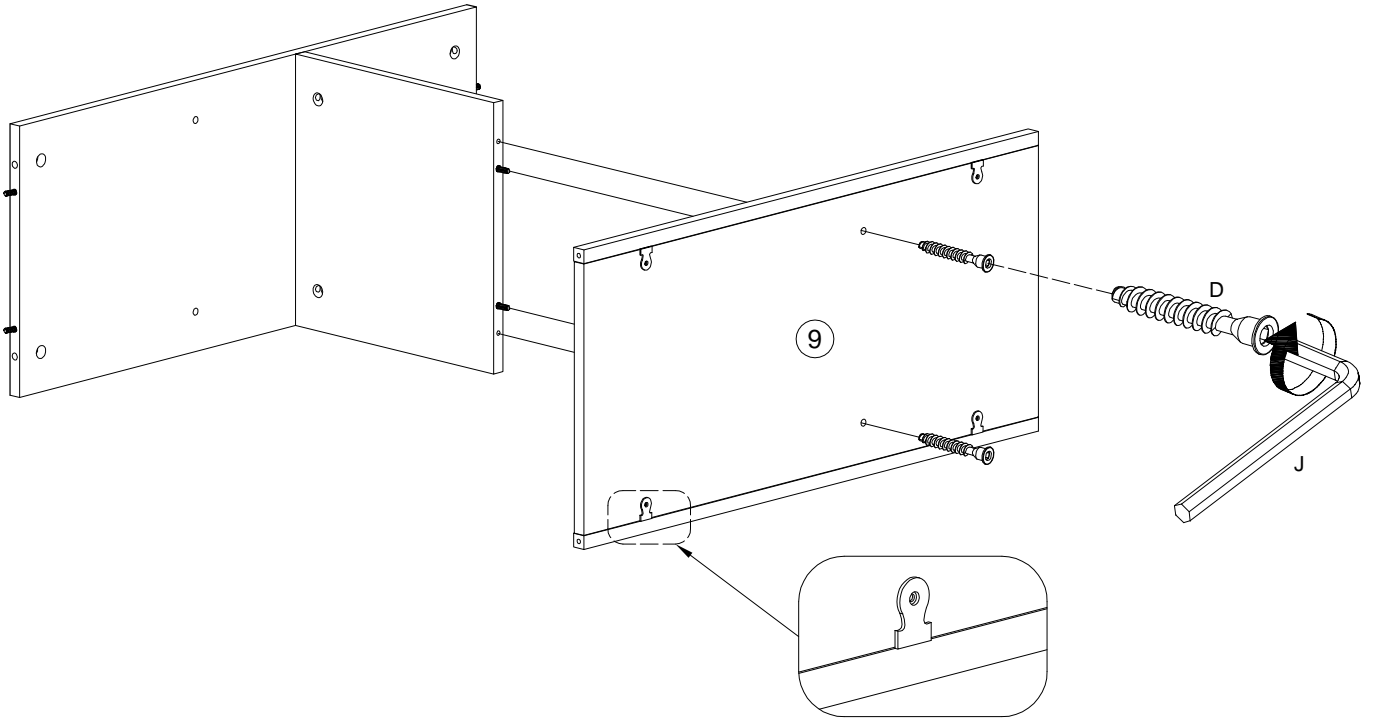
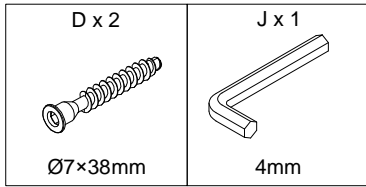
3



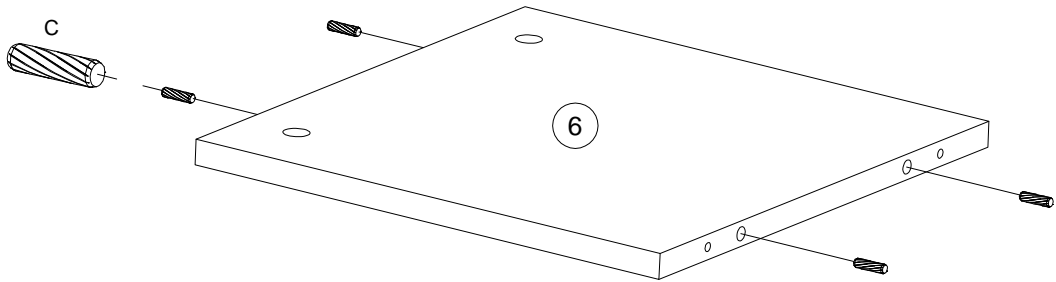
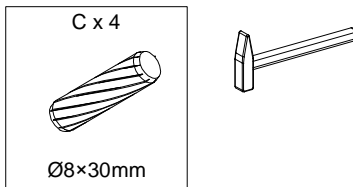
4



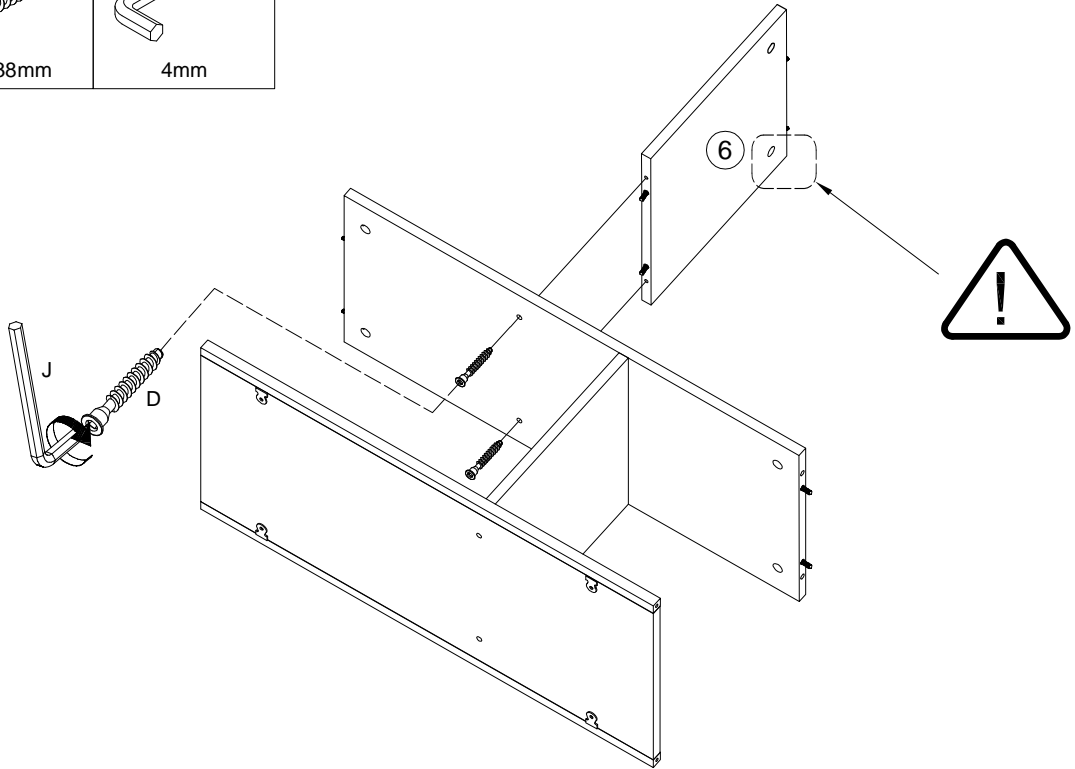
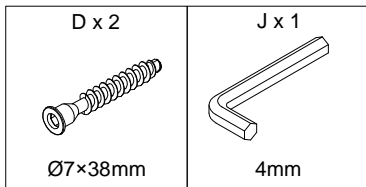
5



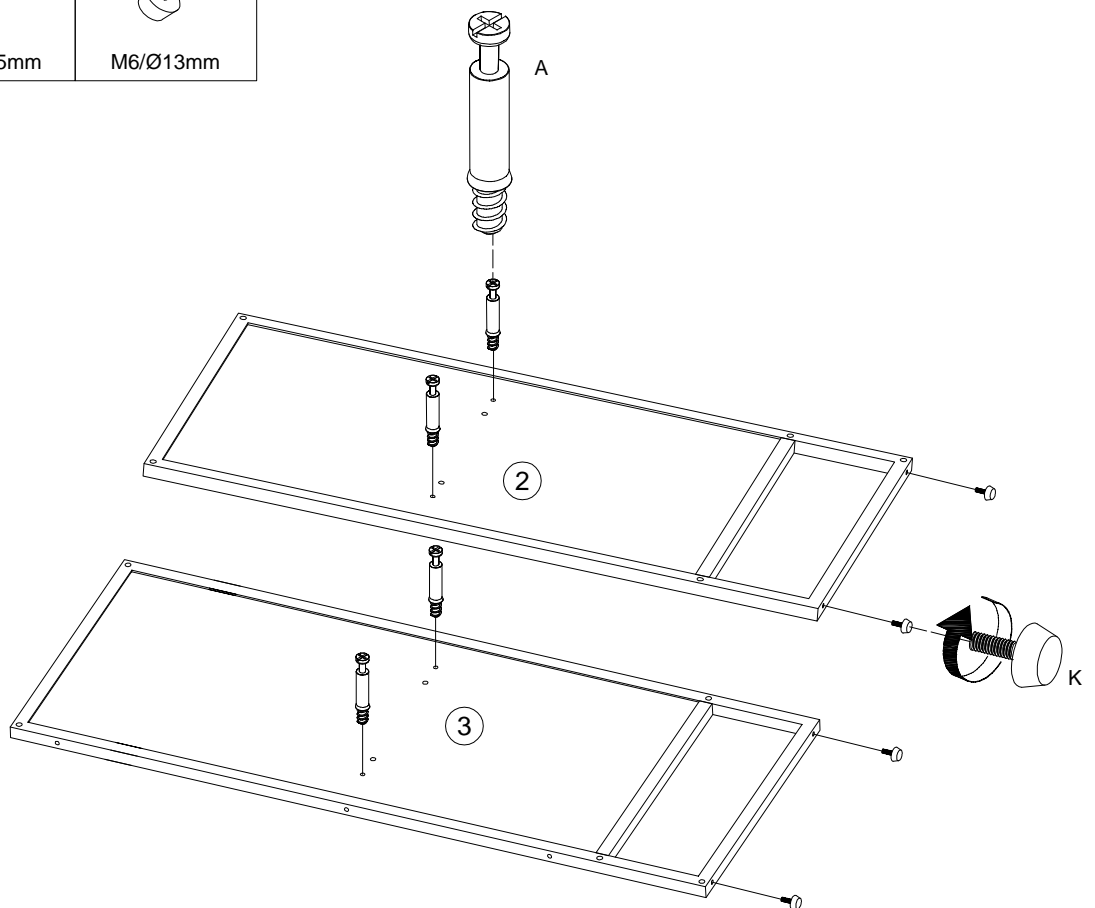
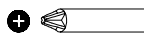
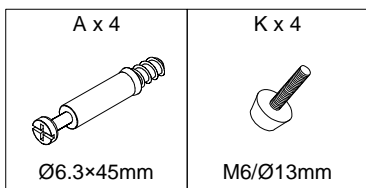
6



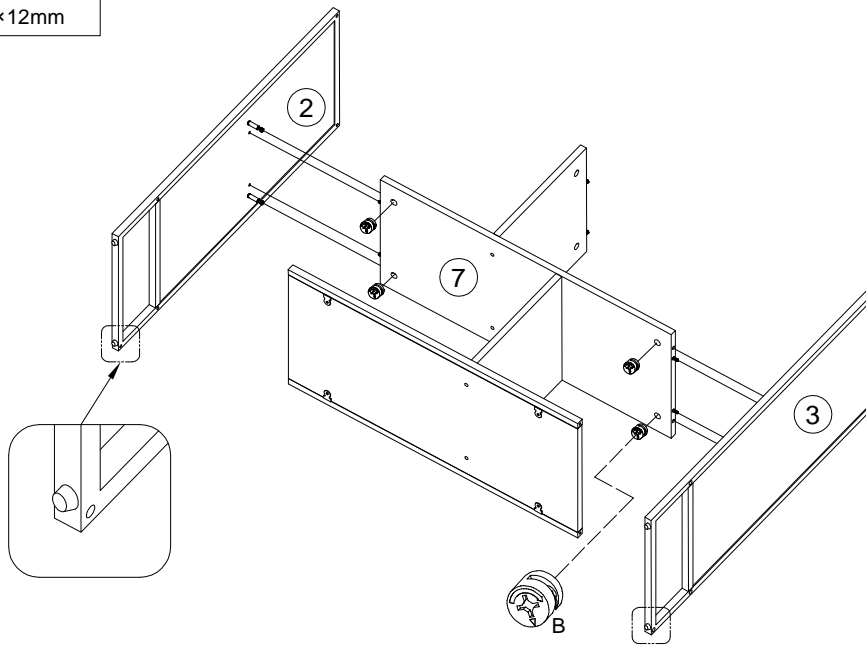
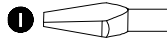
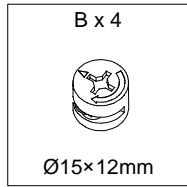
7



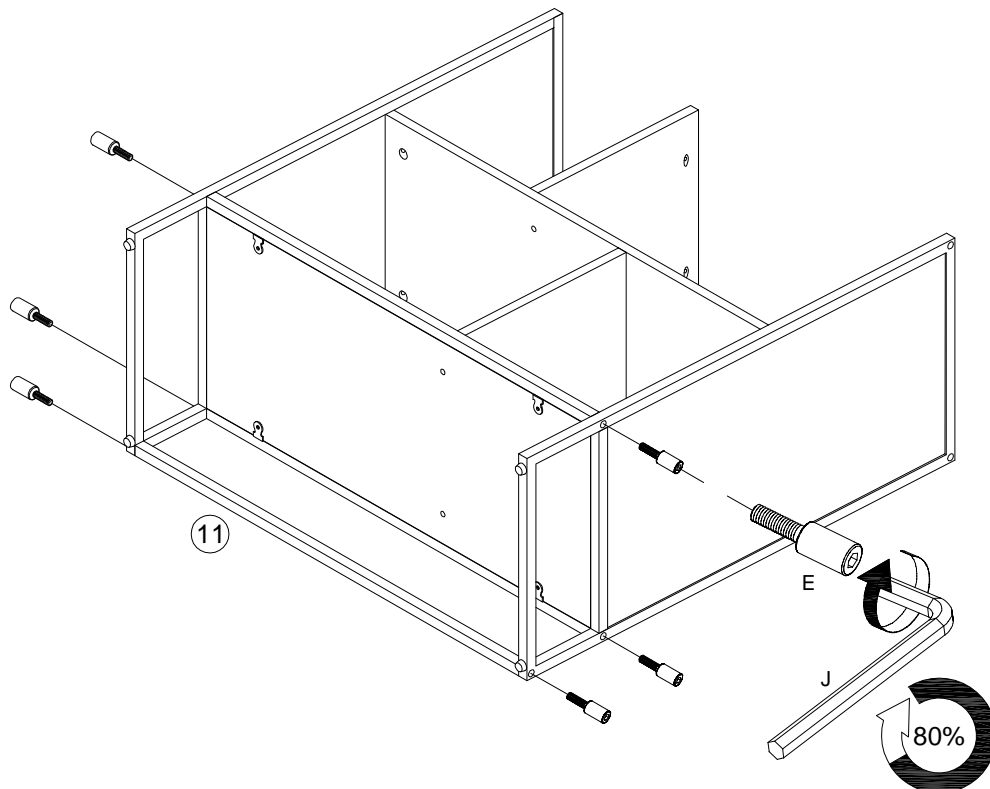
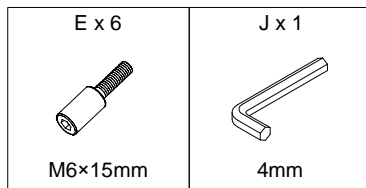
8




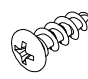

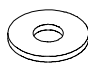
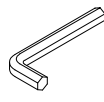
9

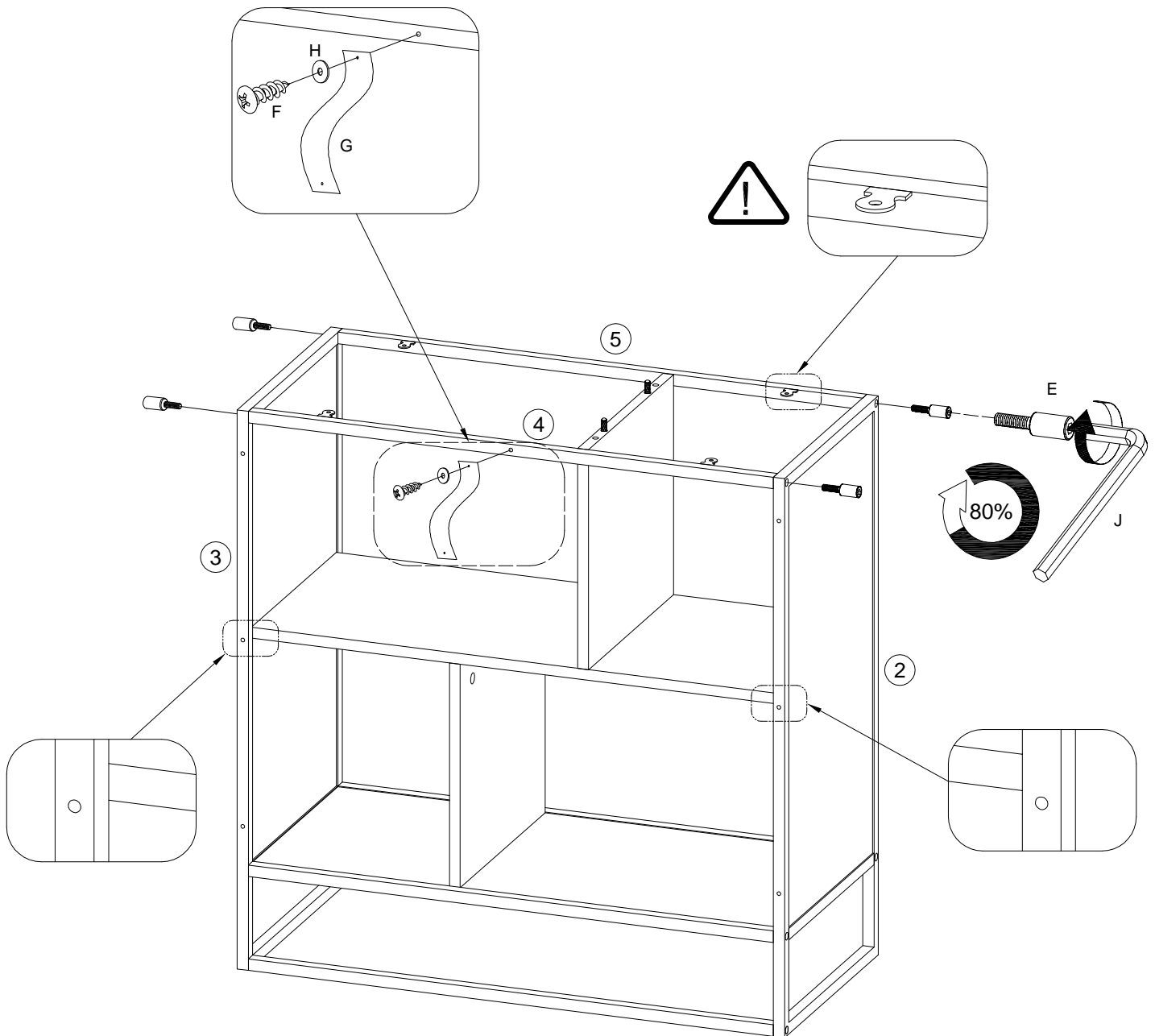
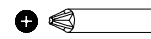


10

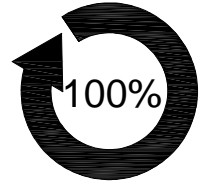
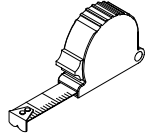
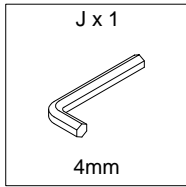


11

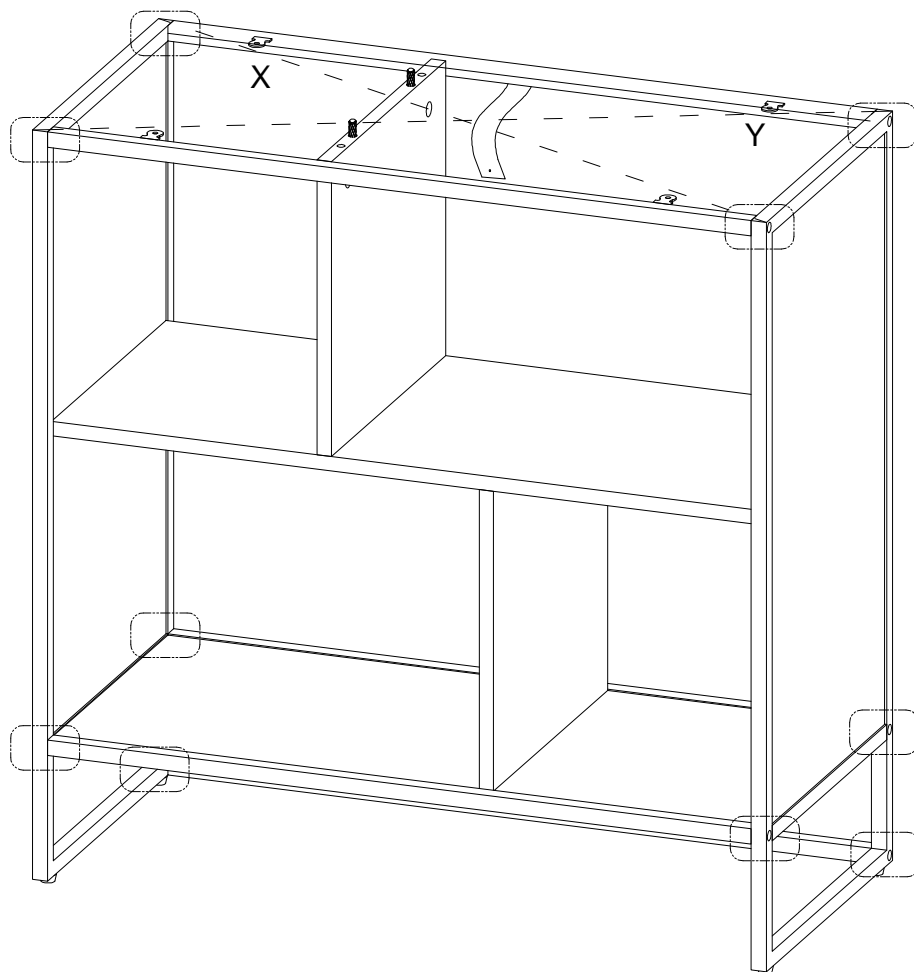
E x 4  M6×15mm	F x 1  Ø4×12mm	G x 1  150mm	H x 1  Ø6/Ø16mm	J x 1  4mm
---	---	---	--	---



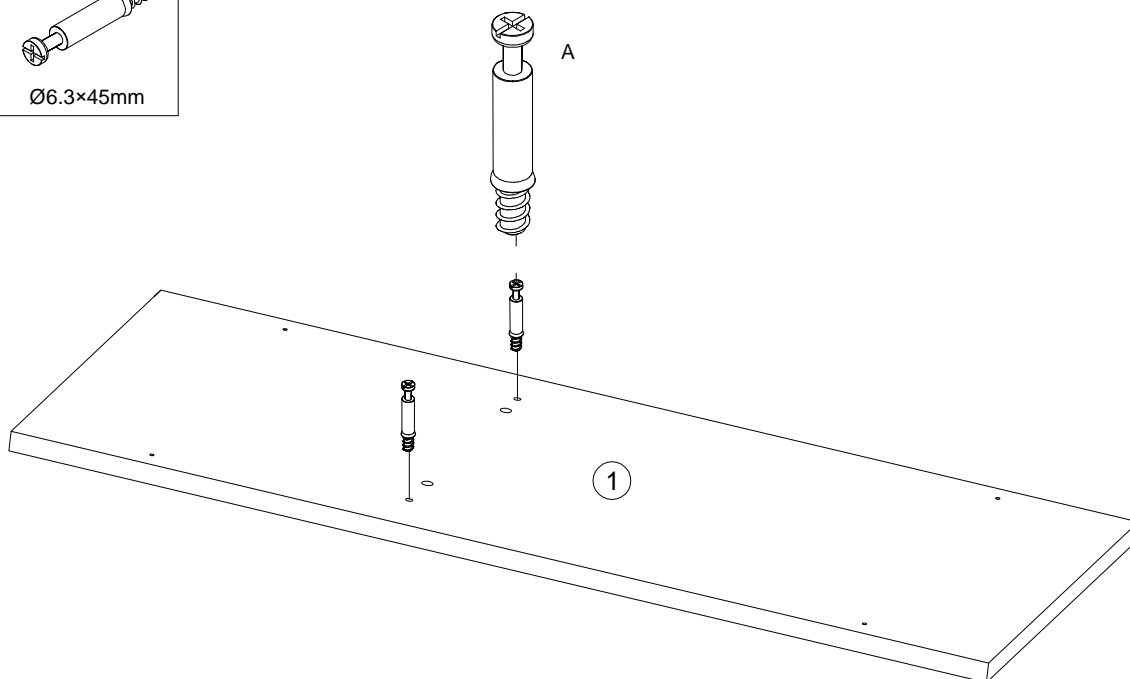
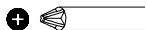
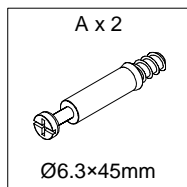
12



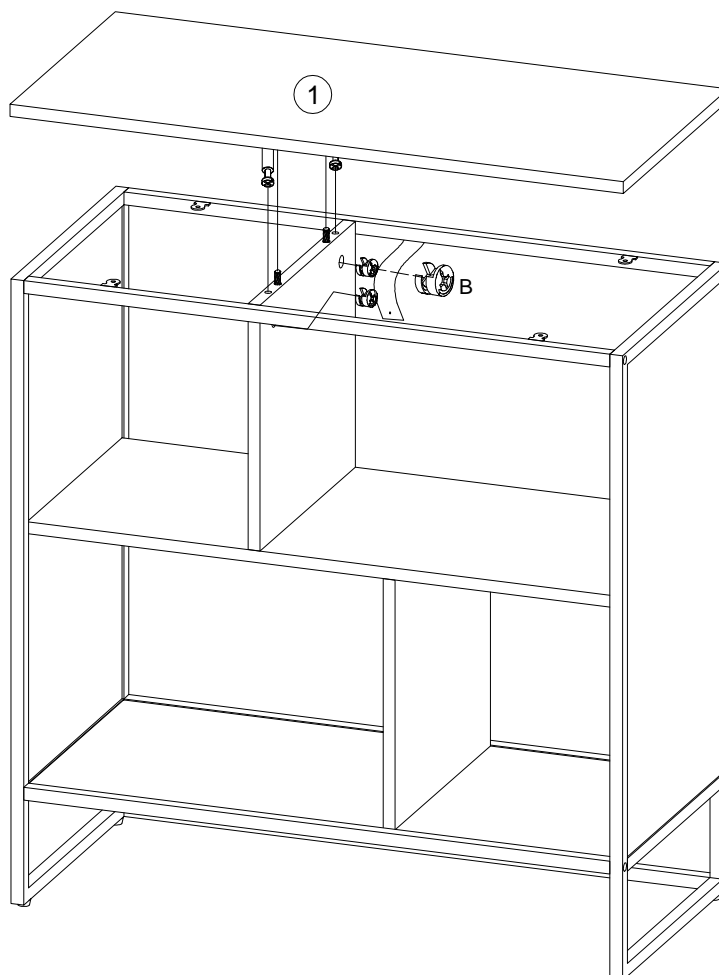
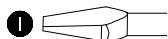
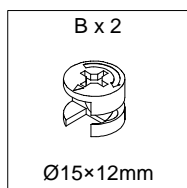
Ex10



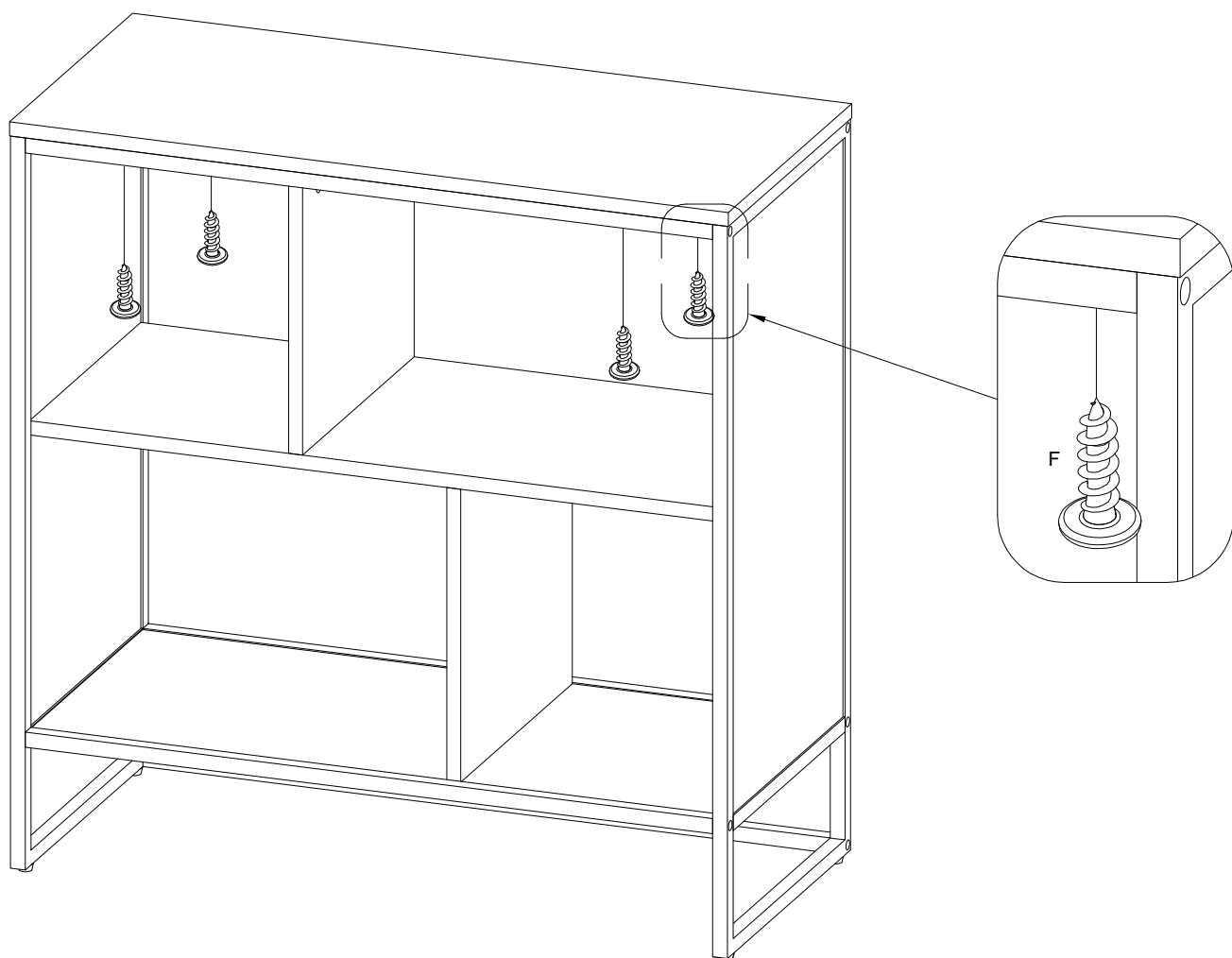
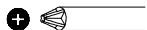
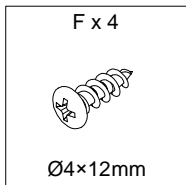
13



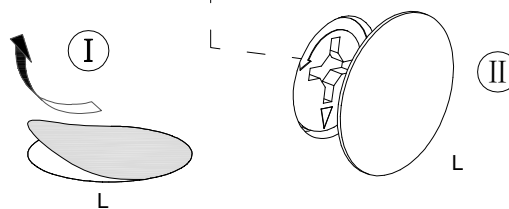
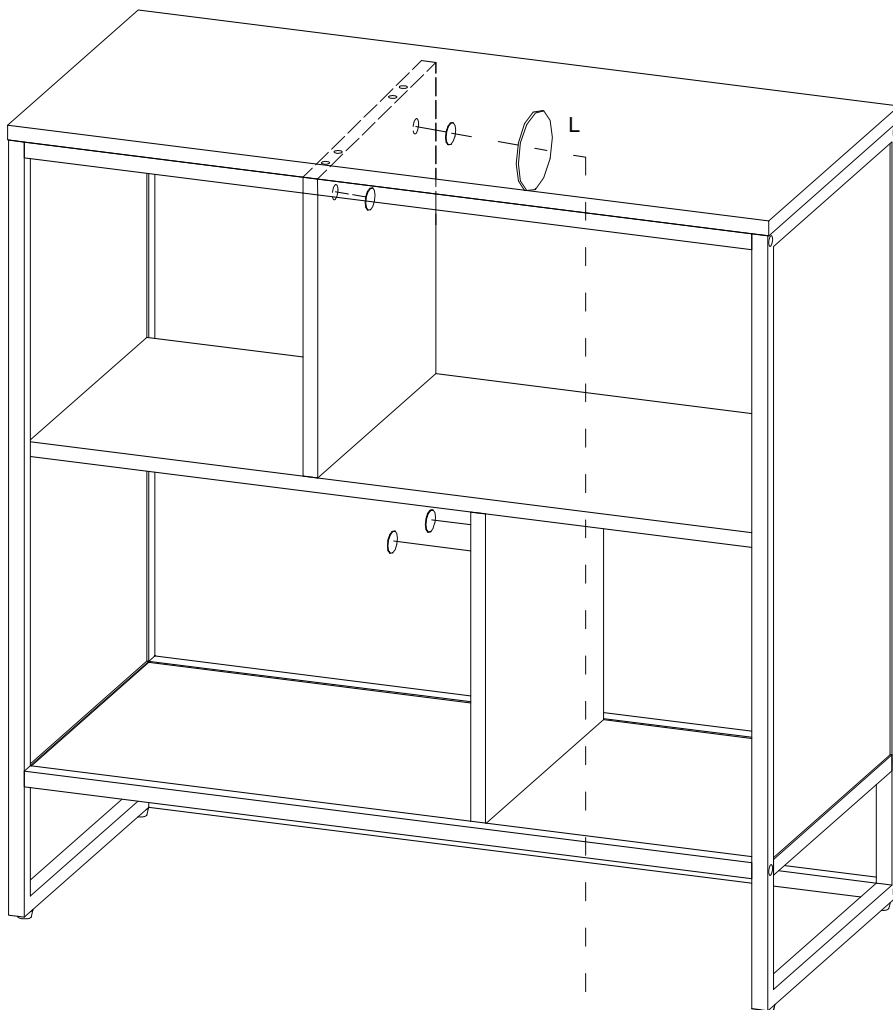
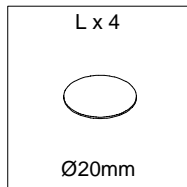
14



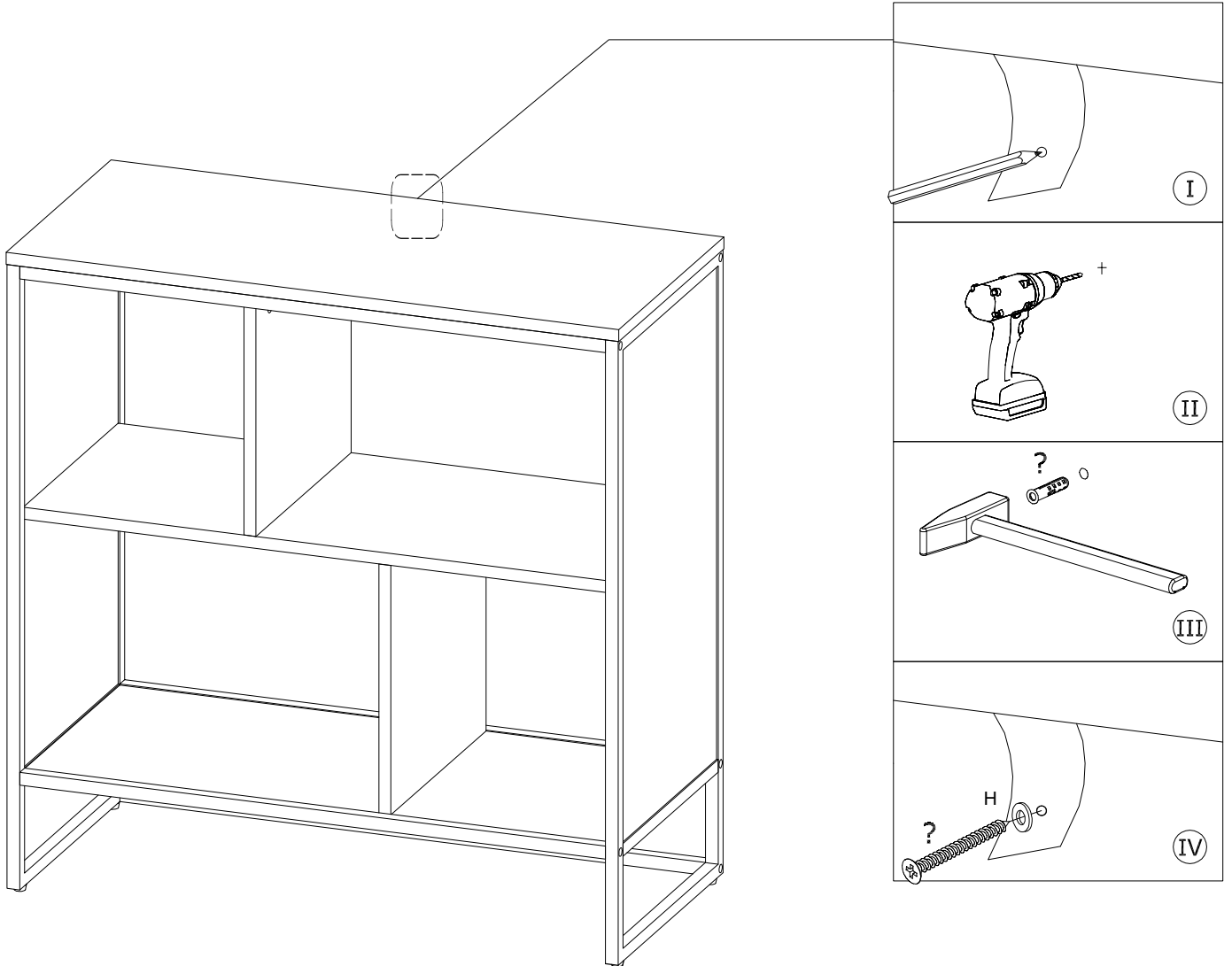
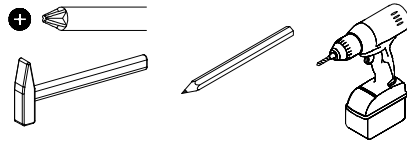
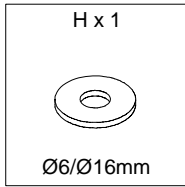
15



16



17



18

