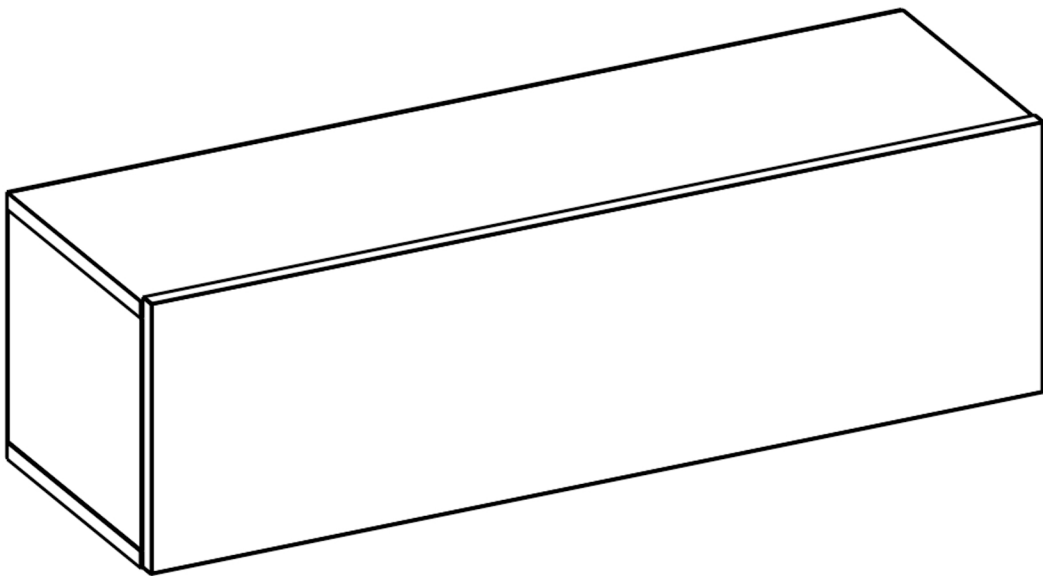


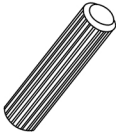


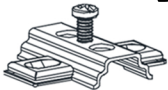
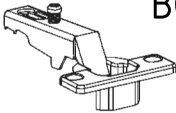



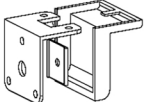
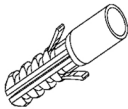
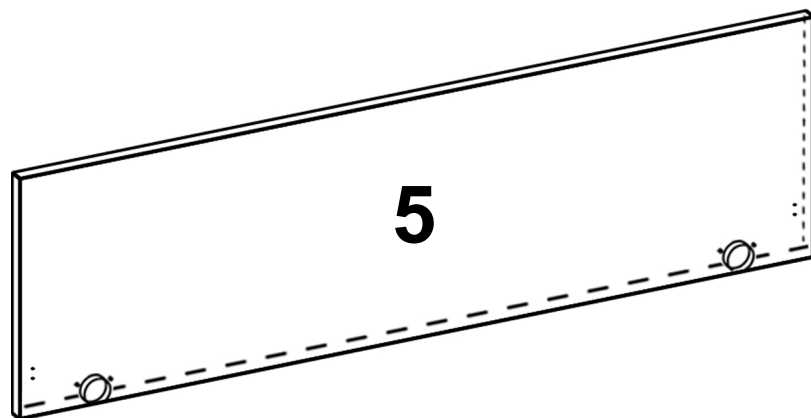
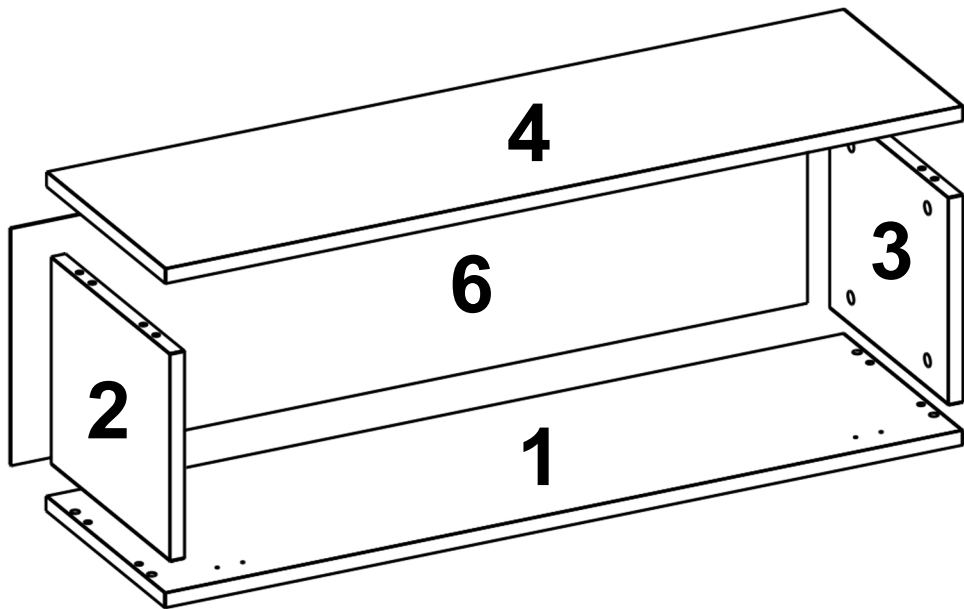
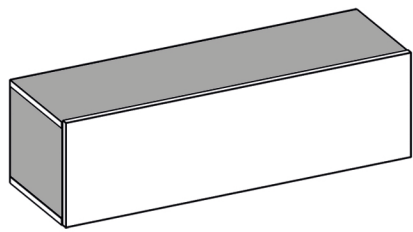


FR12



| | | | | |
|--|---|---|---|--|
|  B0501 x8 |  B0502 x8 |  B0503 x8 |  B0504 x8 |  B0306 x5 |
|  B0105 x2 |  B0101 x2 |  B1102 x2 |  B0301 x27 |  B0318 x13 |
|  B1303 x5 |  B0317 x5 | | | |





B0502



x8

B0503



x8

B0504

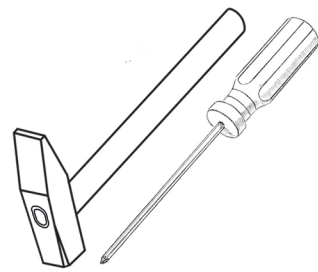


x8

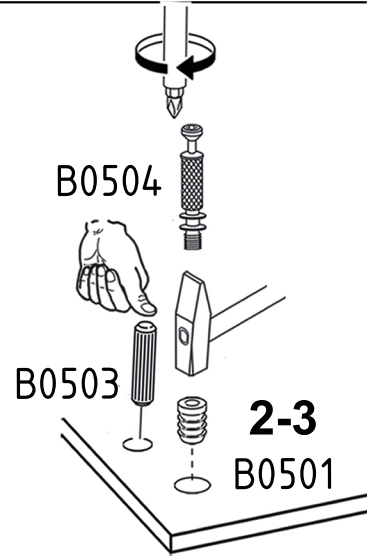
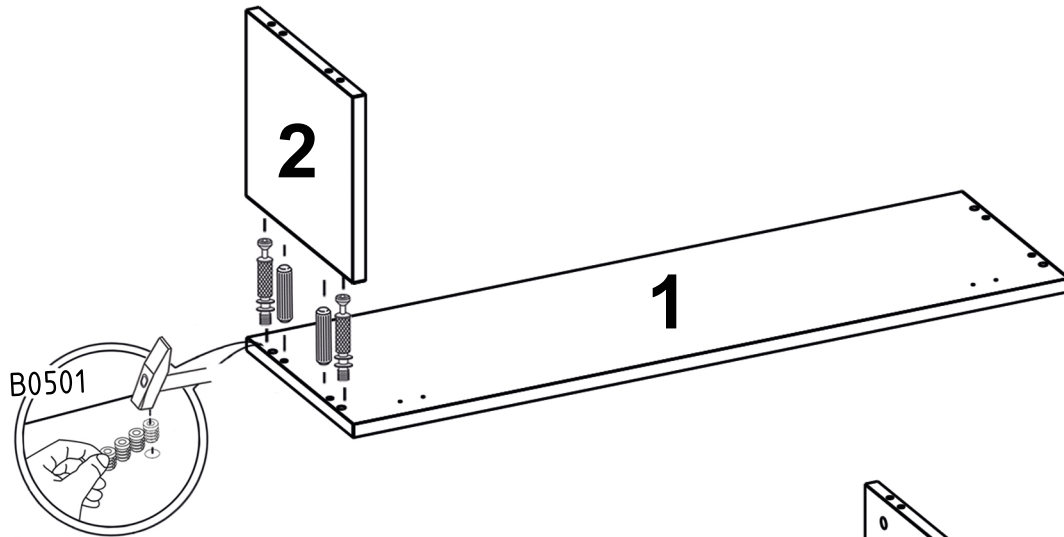
B0501



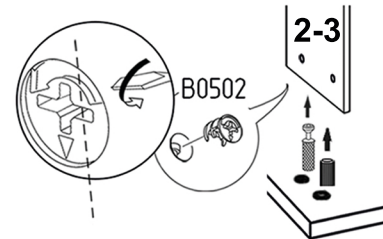
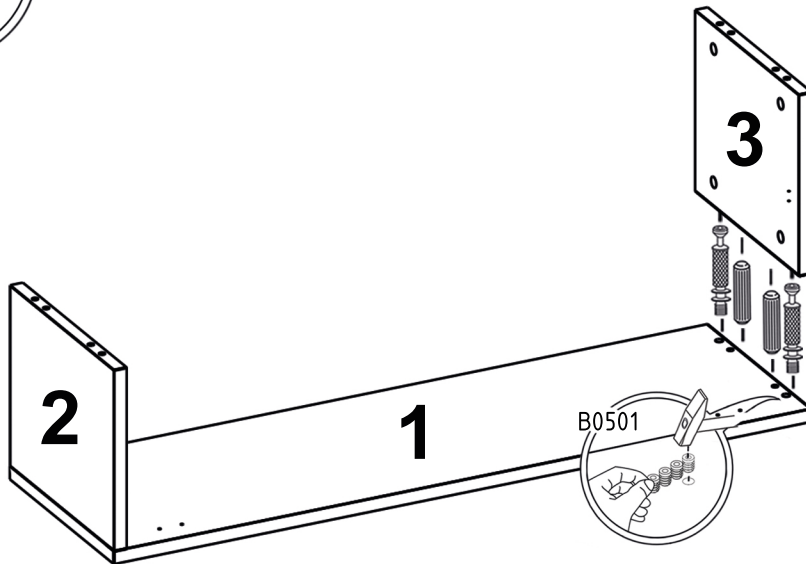
x8



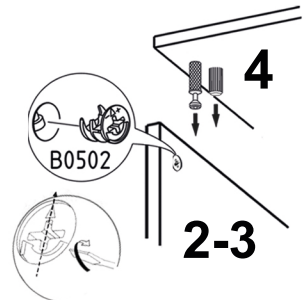
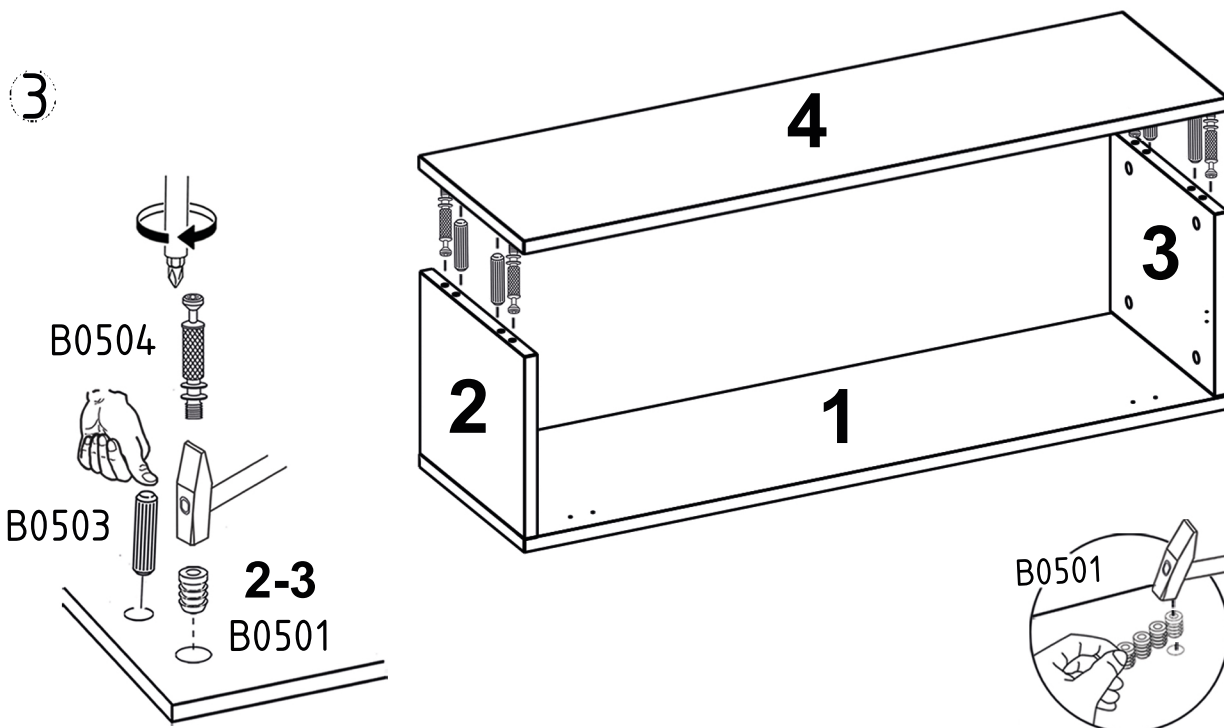
1



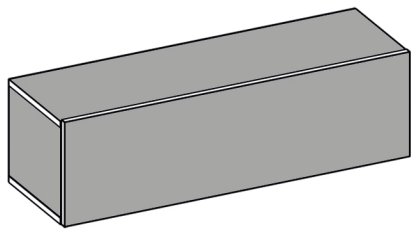
2



3



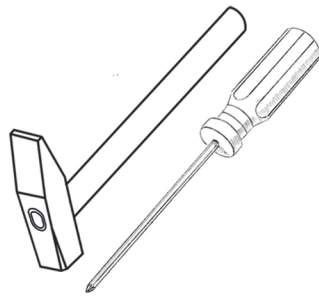
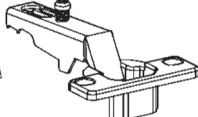
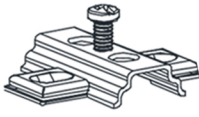
2



B0105

B0101

B0301

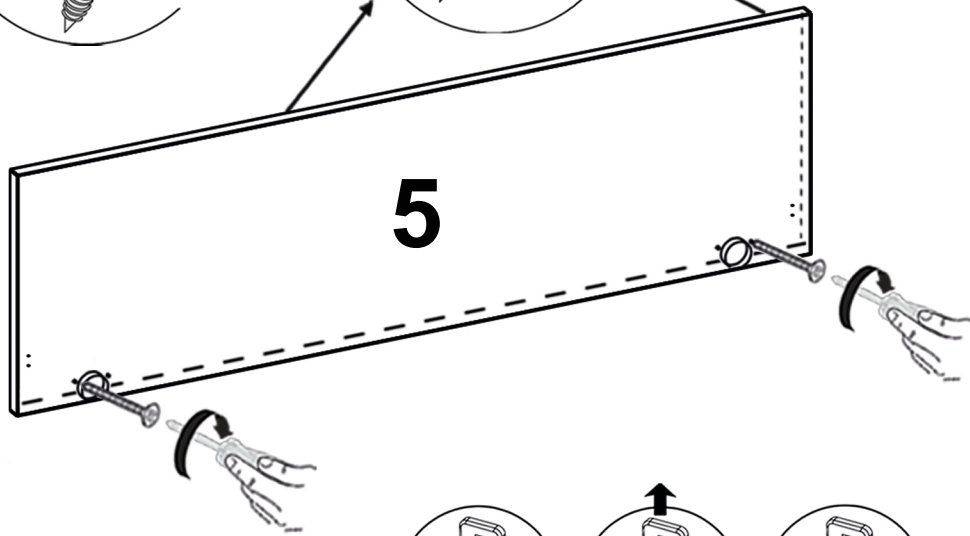
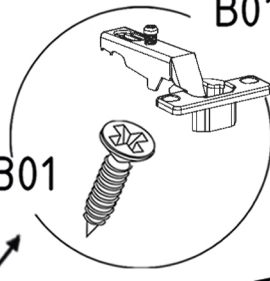
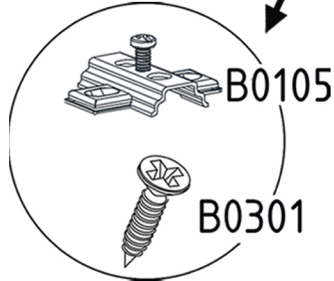
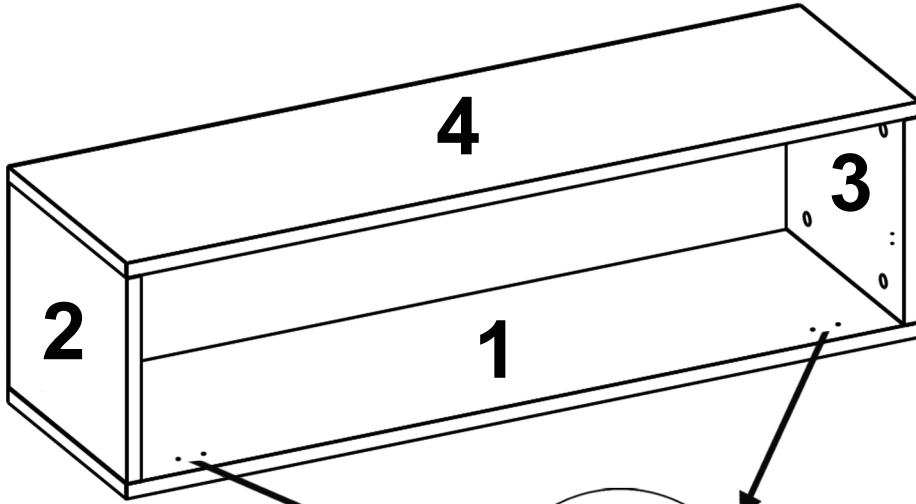


x2

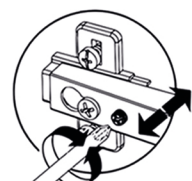
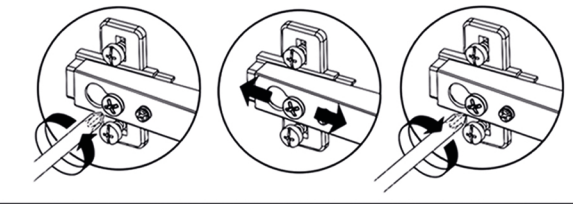
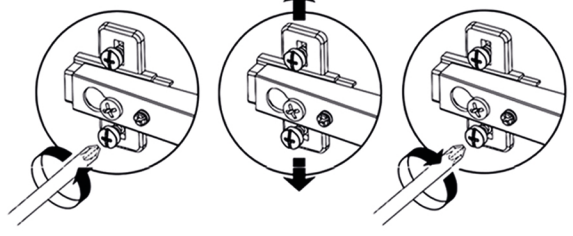
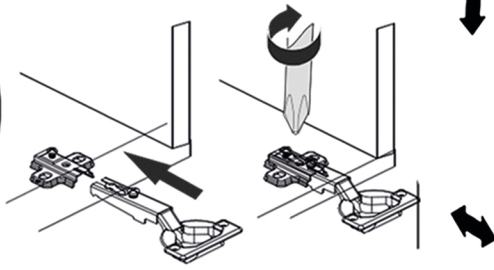
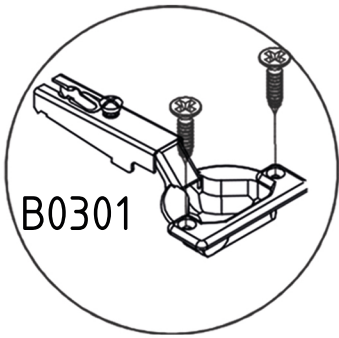
x2

x8

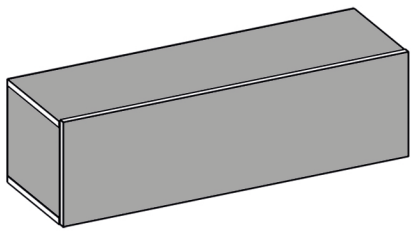
4



5



3

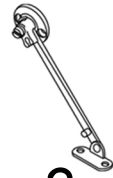


B0318



x13

B1102

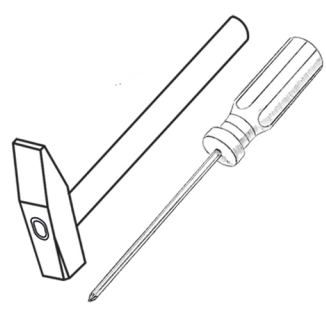


x2

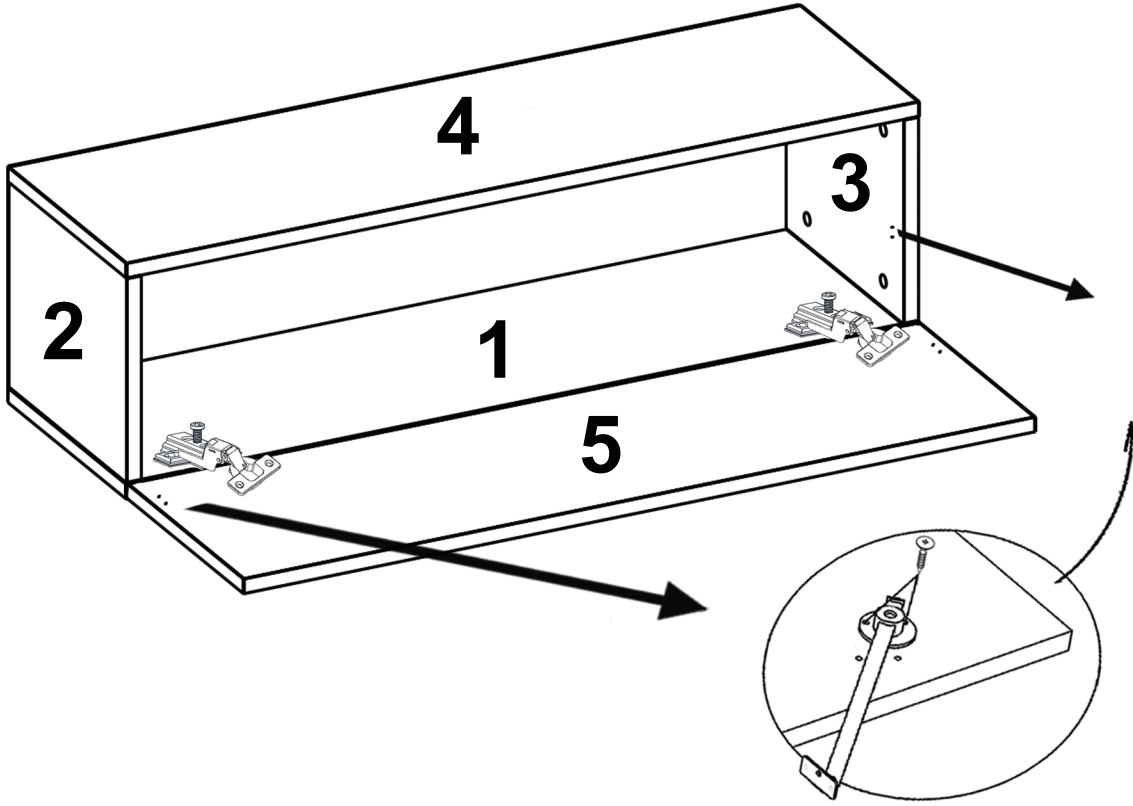
B0301



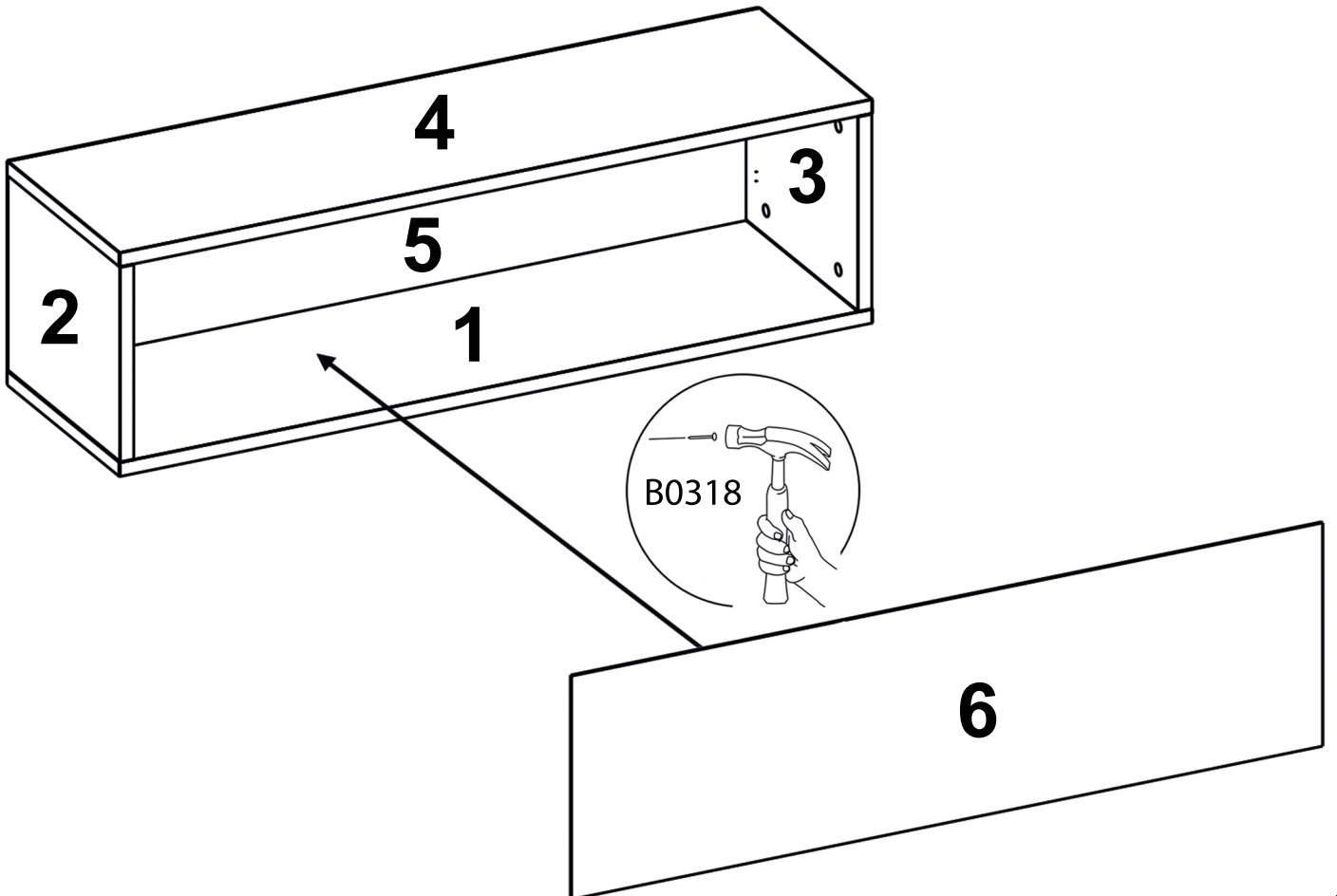
x8

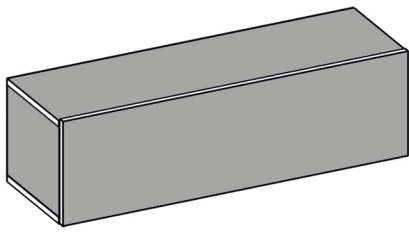


6



7



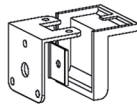


B1303

B0306

B0317

B0301

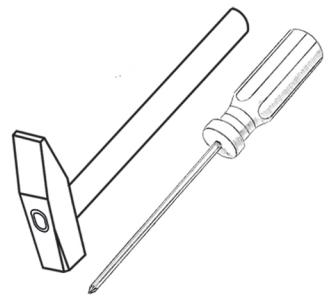


x5

x5

x5

x10



8

