


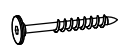
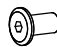














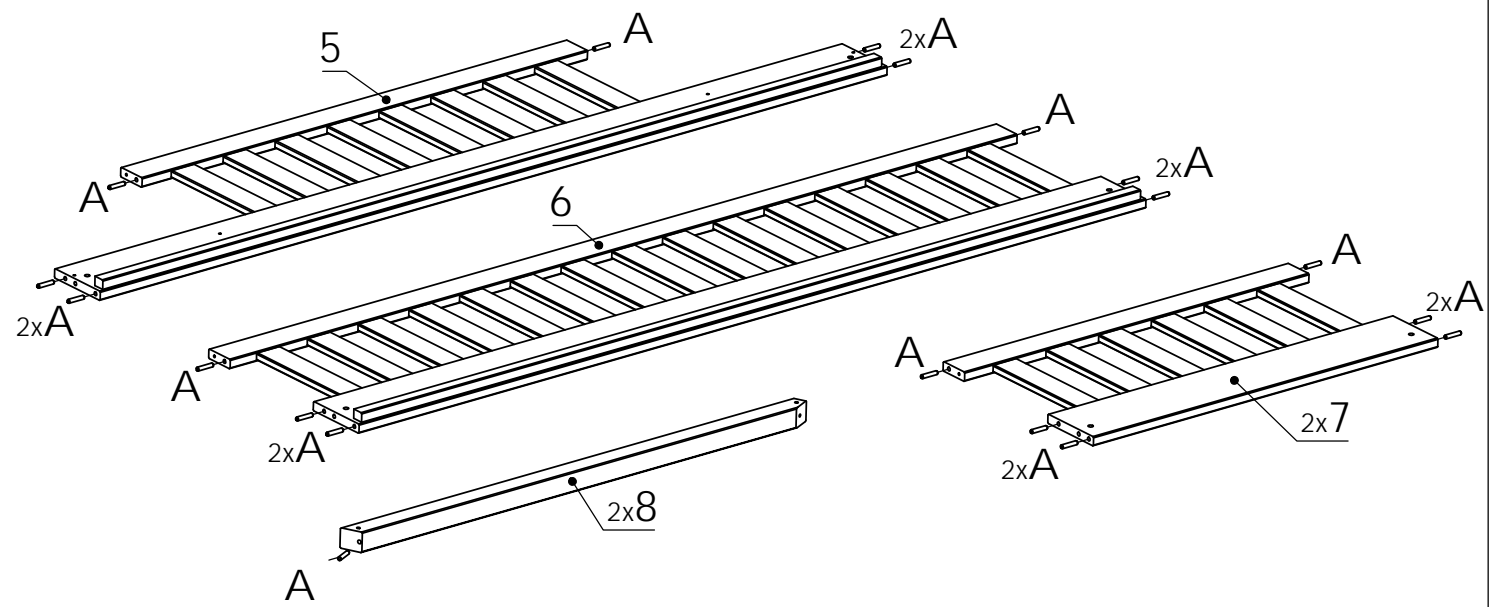
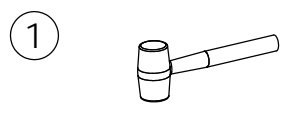
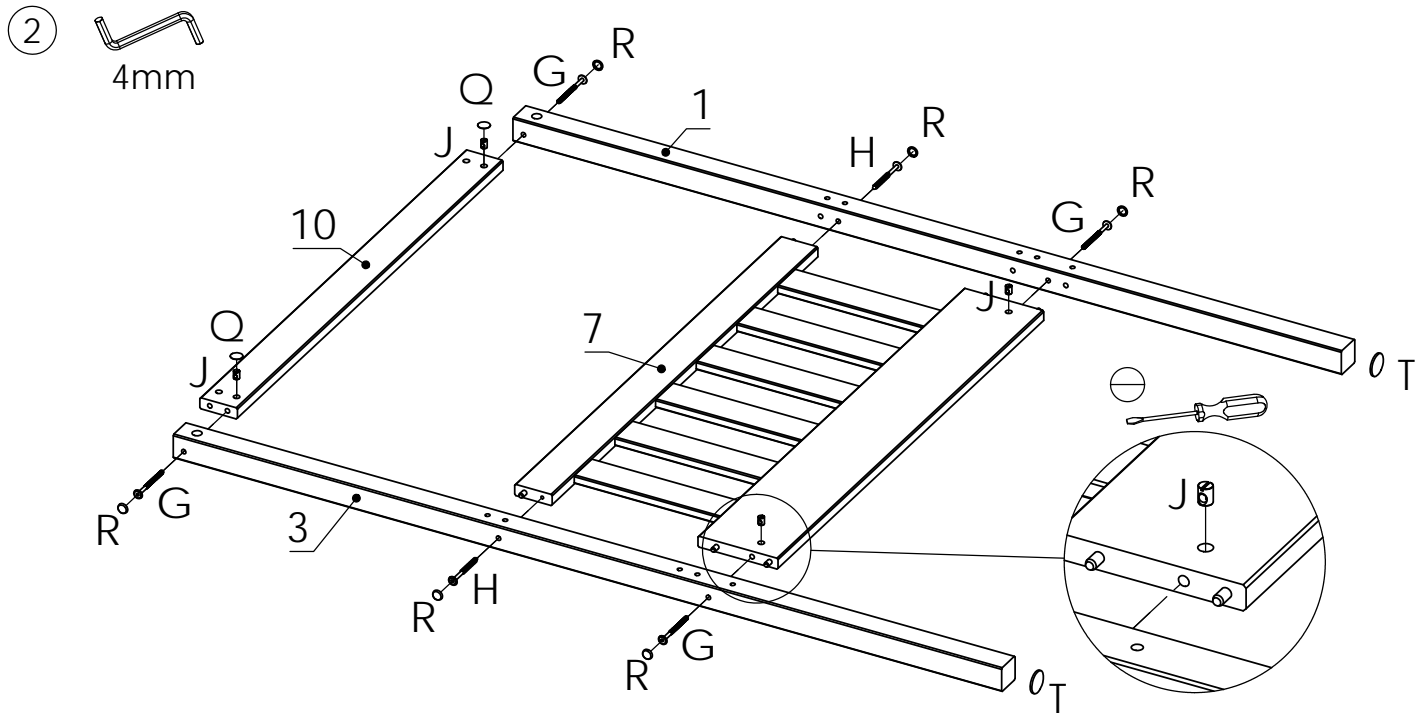





A		8x40	x26
B		7x50	x20
C		7x70	x4
D		57/12,5x5,5 Zn	x4
E		M6x8x15x15	x4
F		M6x60	x4
G		M6x80	x16
H		6,3x80	x8
J		M6x10x13	x16
K		M10x12	x4




L		D15x19	x4
M		D9,8x37/60/5,8x23	x4
N		3,5x40	x6
P		D4x13	x24
R		D15x18	x32
Q		D20	x12
S		17x3	x8
T		38x3	x4
U		4mm	x2

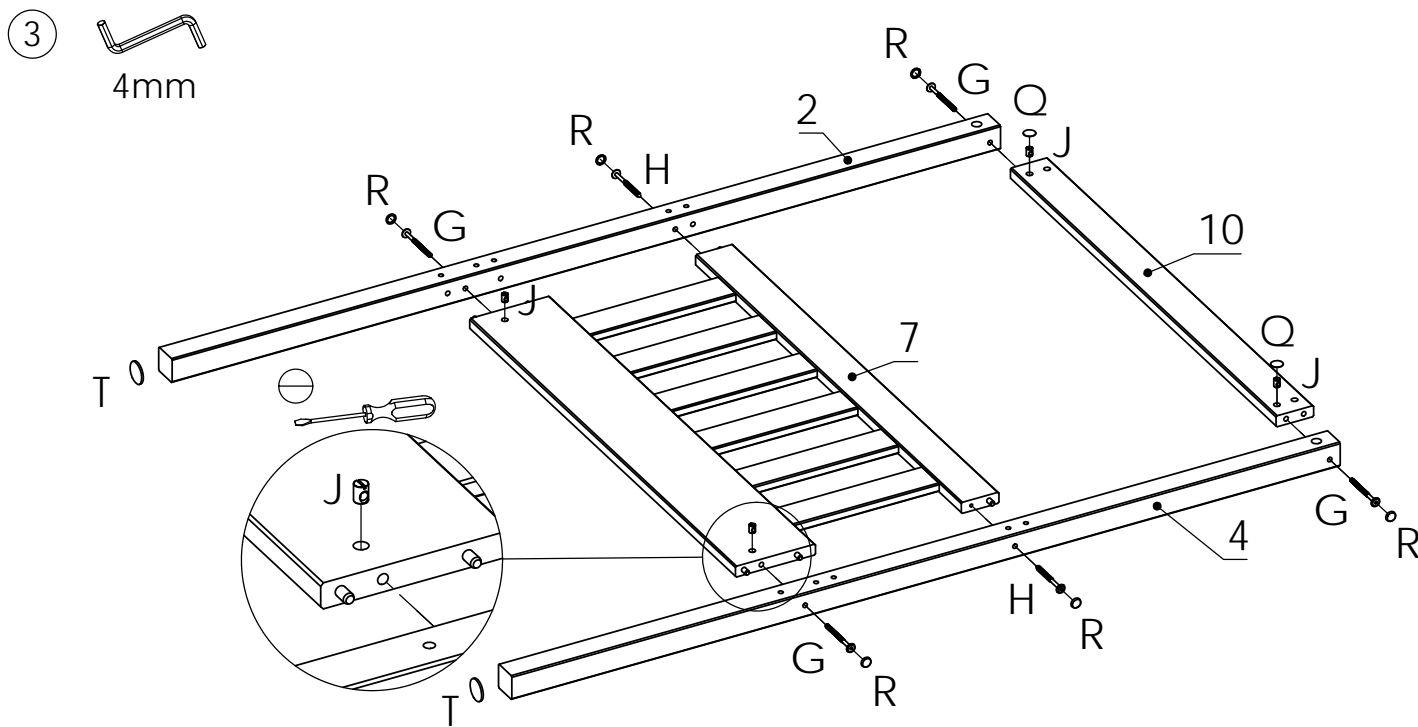





A		8x40	x26
---	---------------------------------------------------------------------------------------	------	-----






G		M6x80	x4
H		6,3x80	x2
J		M6x10x13	x4

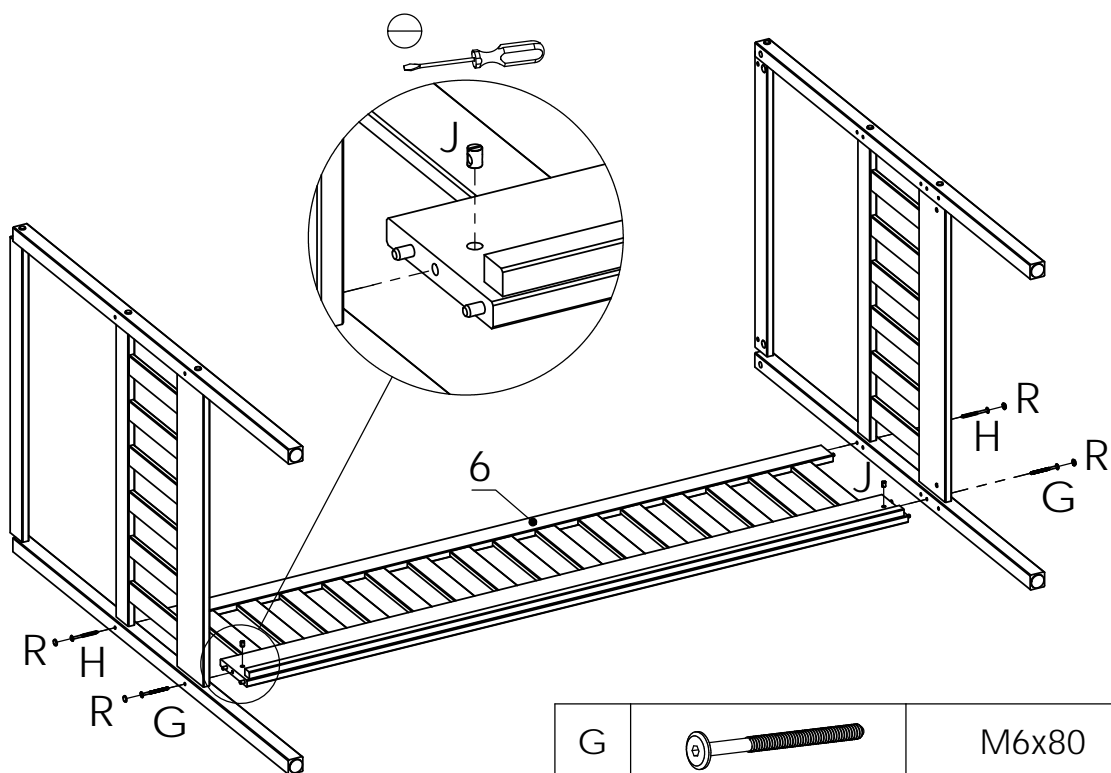
R		D15x18	x6
Q		D20	x2
T		38x3	x2



G		M6x80	x4
H		6,3x80	x2
J		M6x10x13	x4

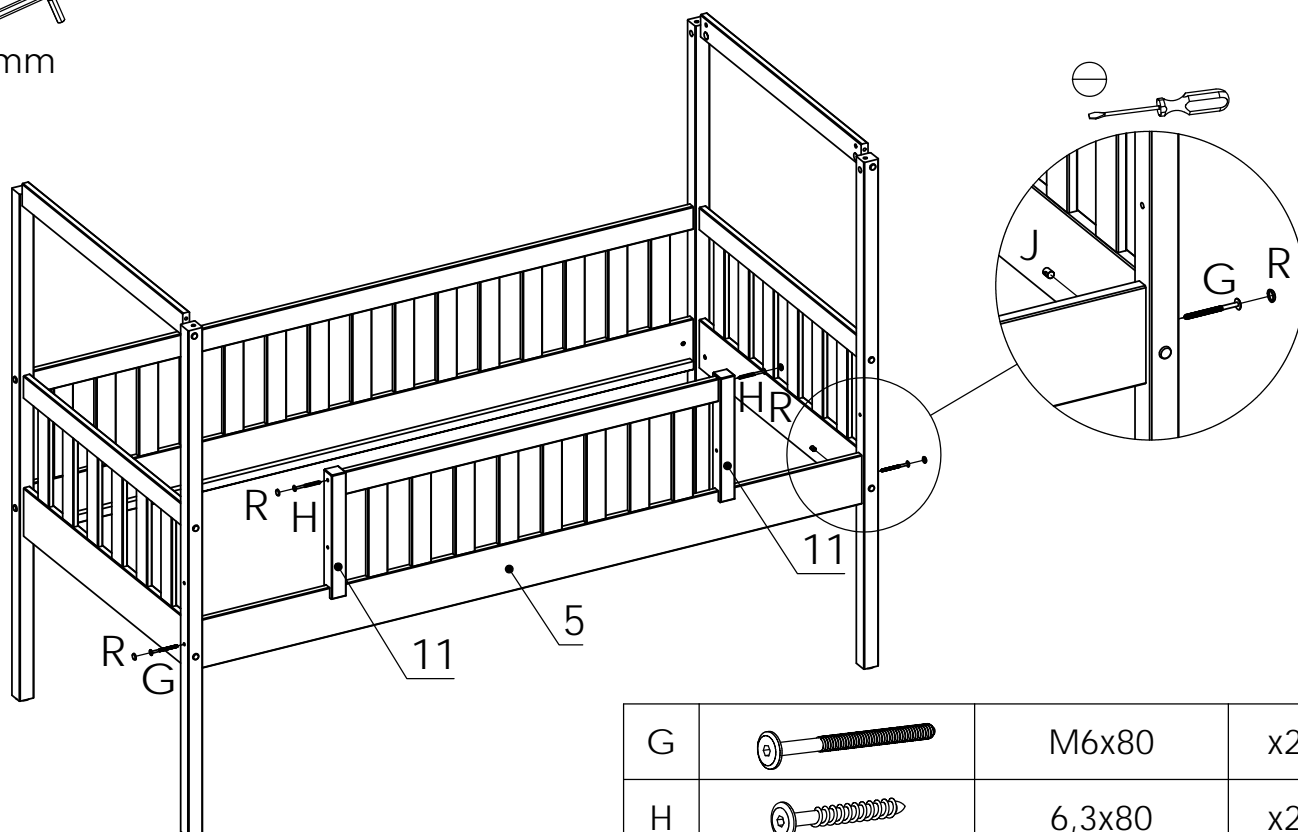
R		D15x18	x6
Q		D20	x2
T		38x3	x2

④



G		M6x80	x2
H		6,3x80	x2
J		M6x10x13	x2
R		D15x18	x4

⑤

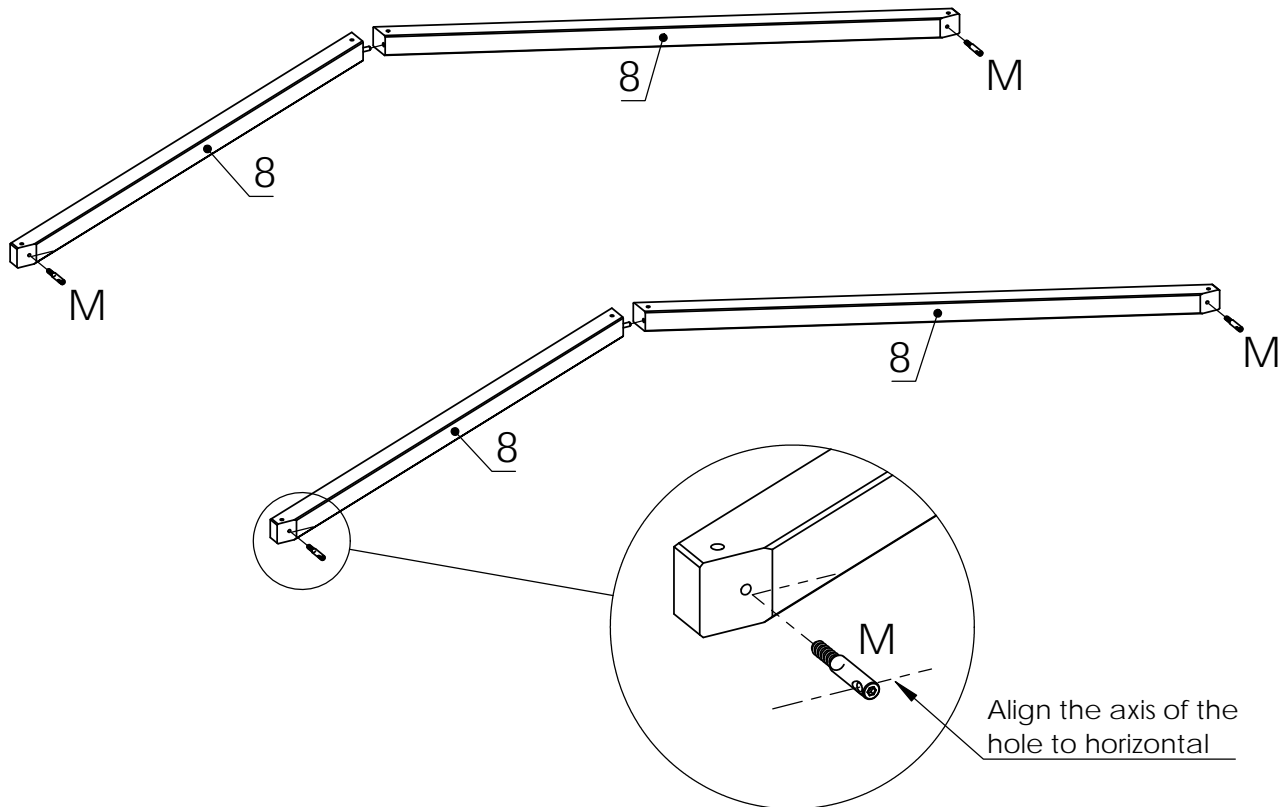


G		M6x80	x2
H		6,3x80	x2
J		M6x10x13	x2
R		D15x18	x4

6



4mm

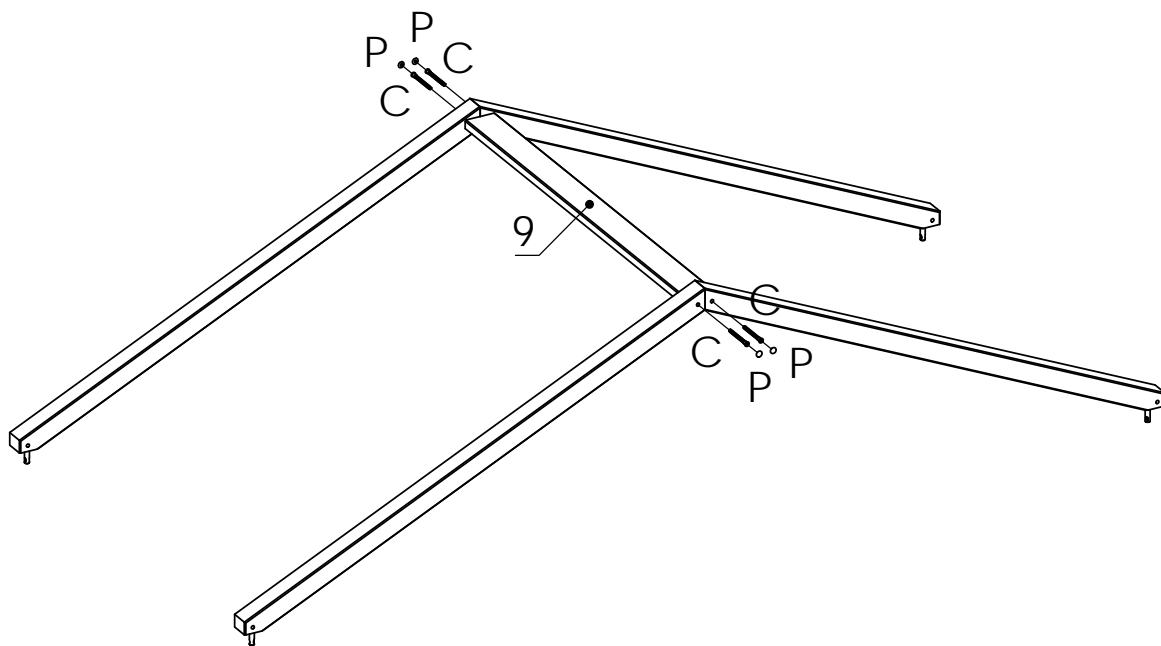


M		D9,8x37/60/5,8 x23	x4
---	--	-----------------------	----

7

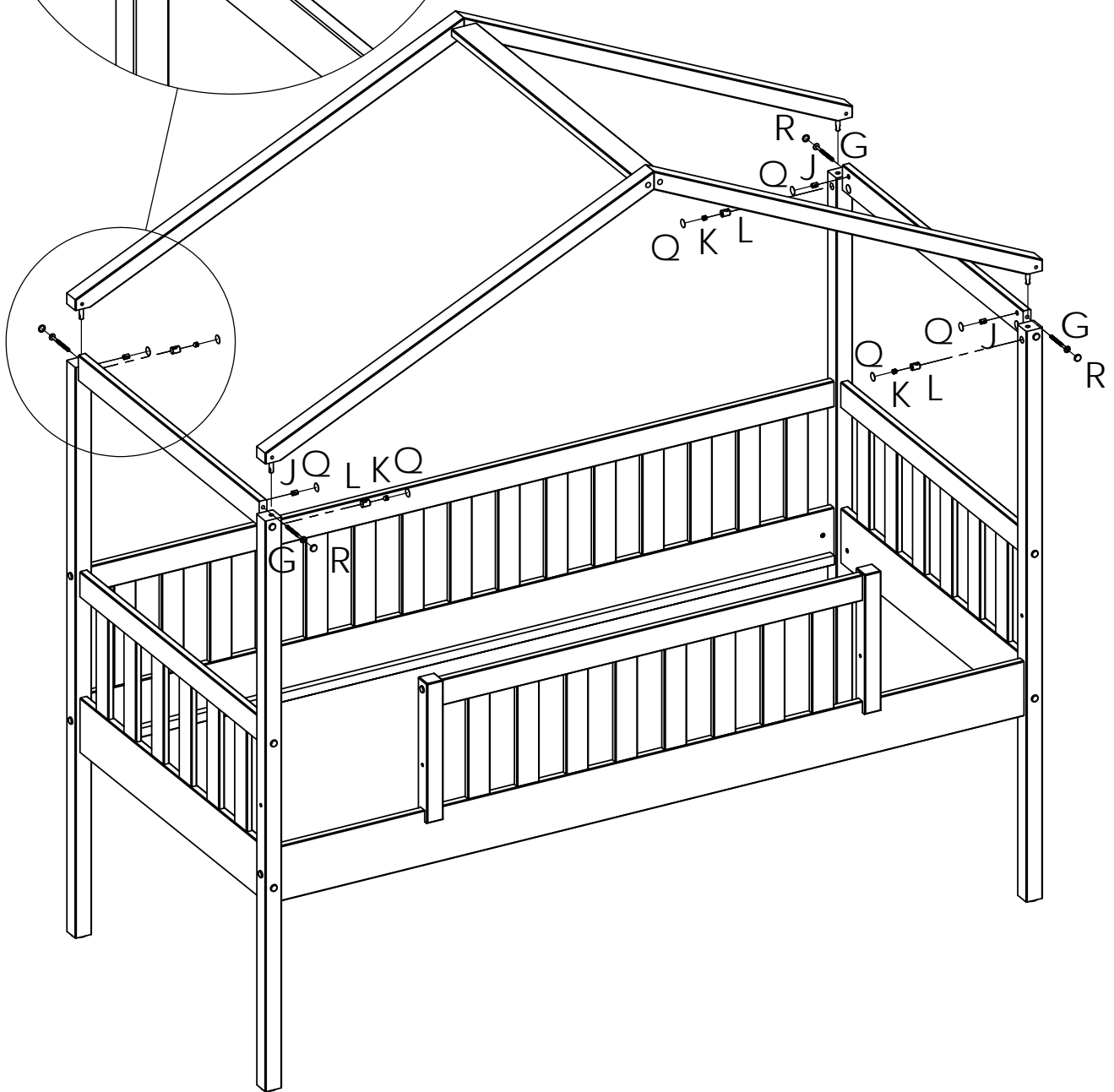
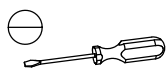
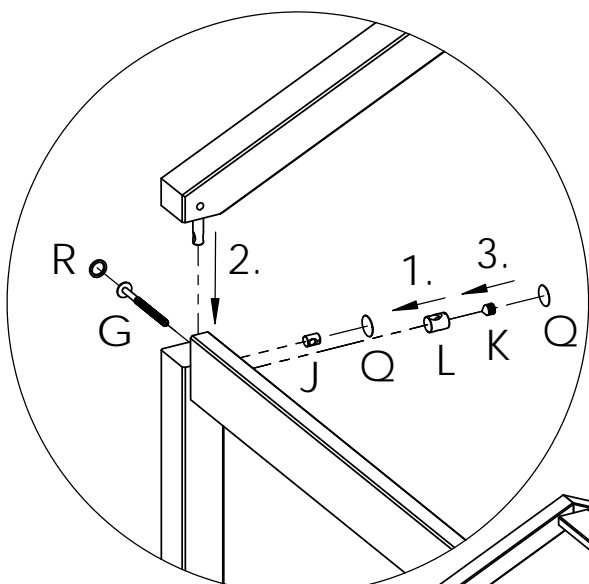


4mm



C		7x70	x4
P		D4x13	x4

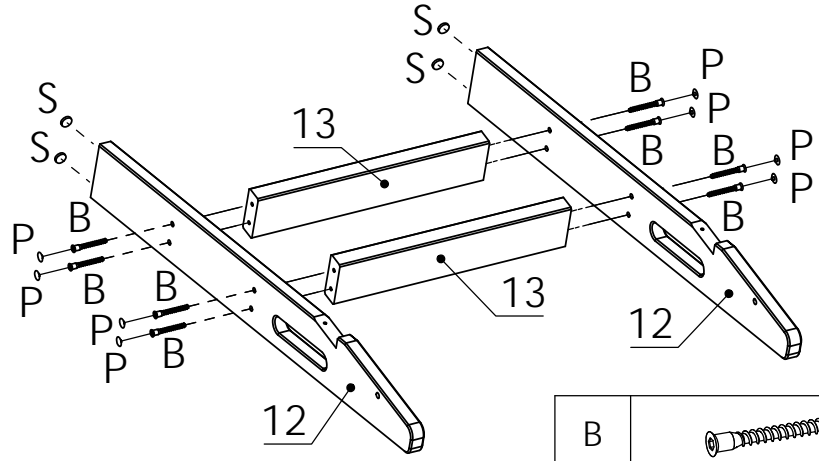
8



G		M6x80	x4
J		M6x10x13	x4
K		M10x12	x4

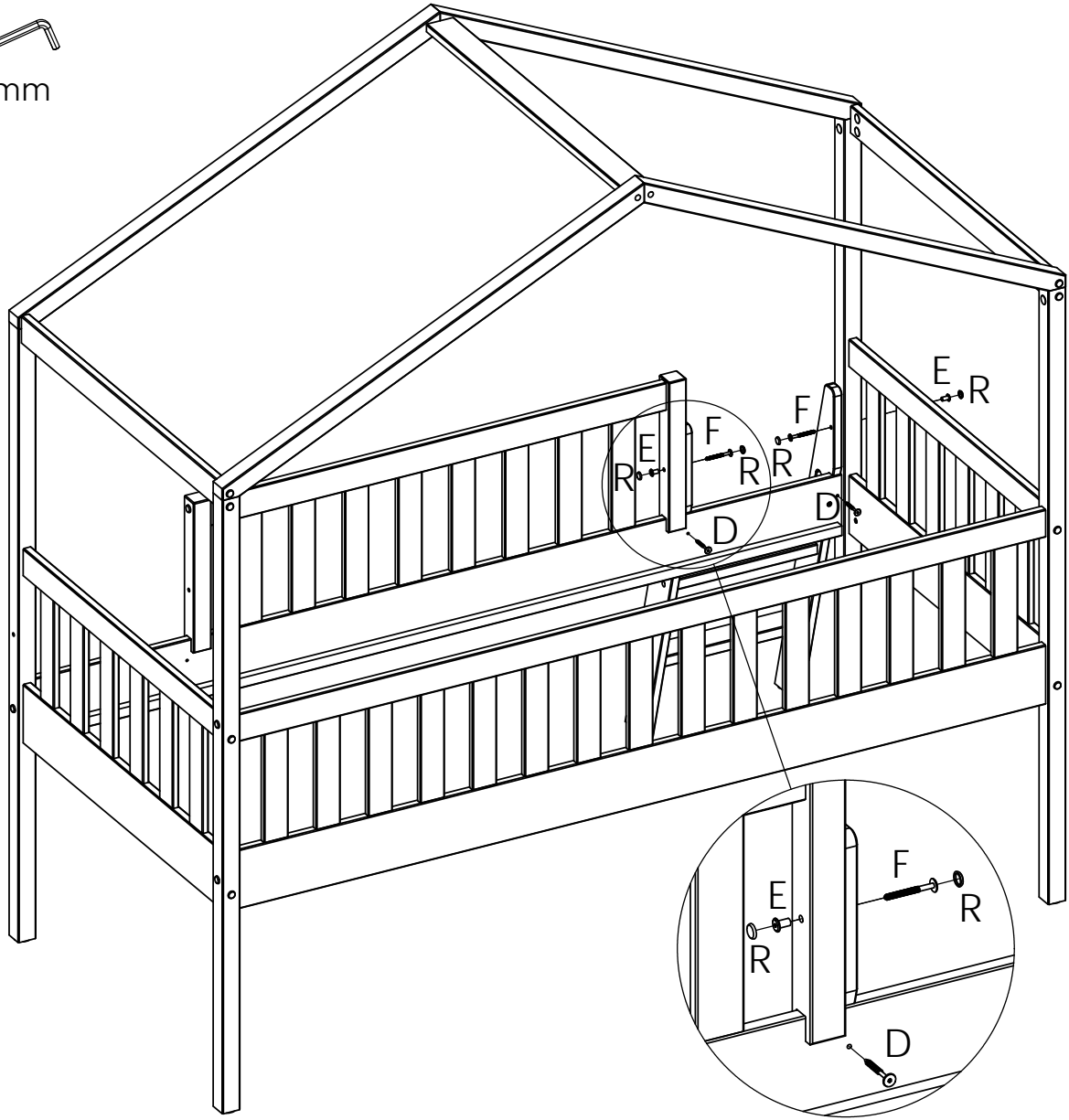
L		D15x19	x4
R		D15x18	x4
Q		D20	x8

9



B		7x50	x8
P		D4x13	x8
S		17x3	x4

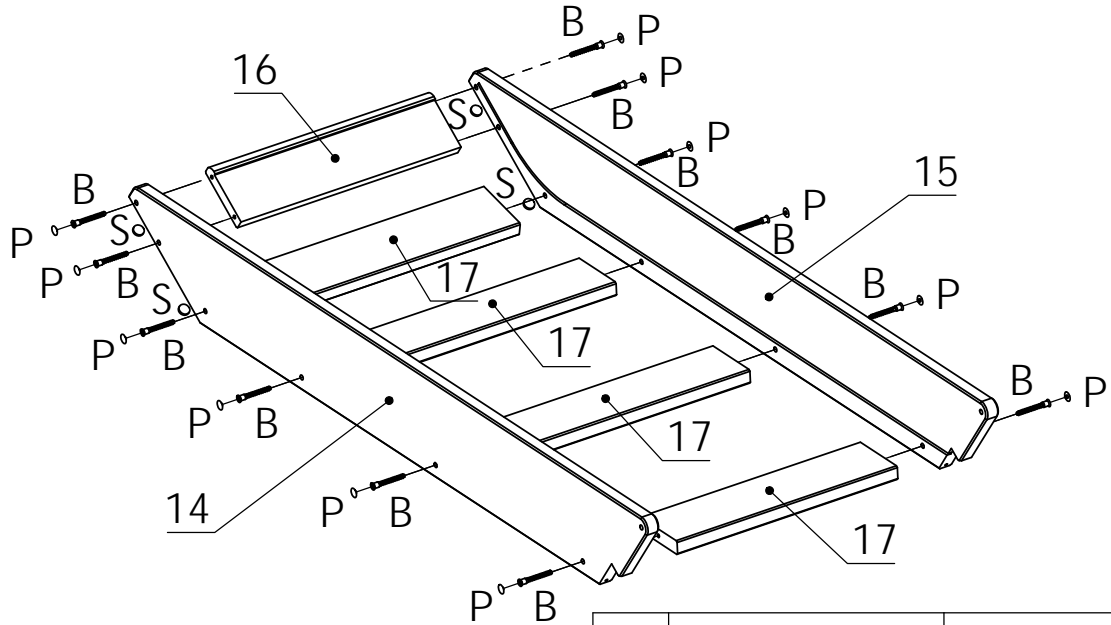
10






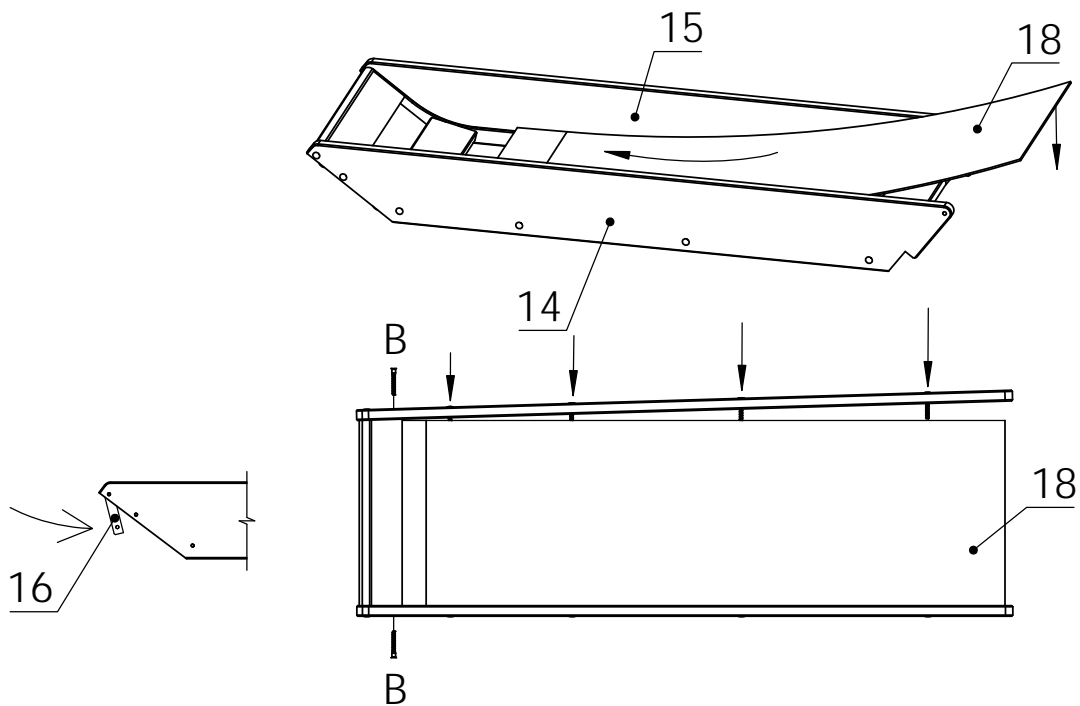
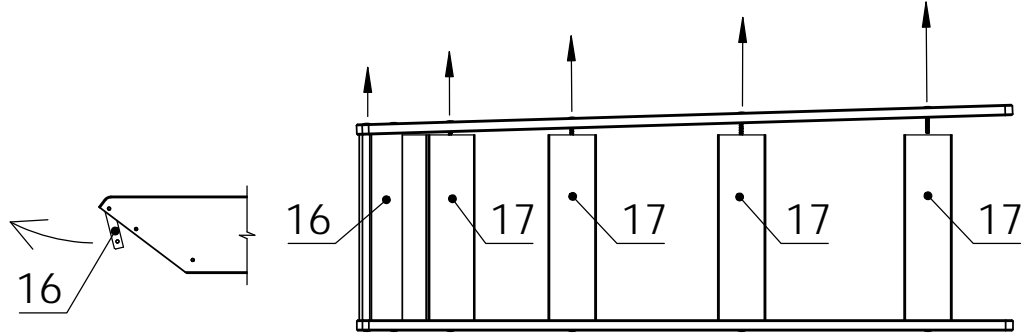
D		57/12,5x5,5 Zn	x2
E		M6x8x15x15	x2


F		M6x60	x2
R		D15x18	x4

11

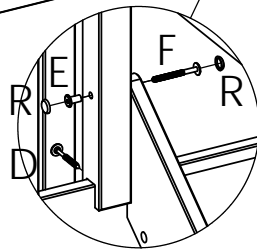
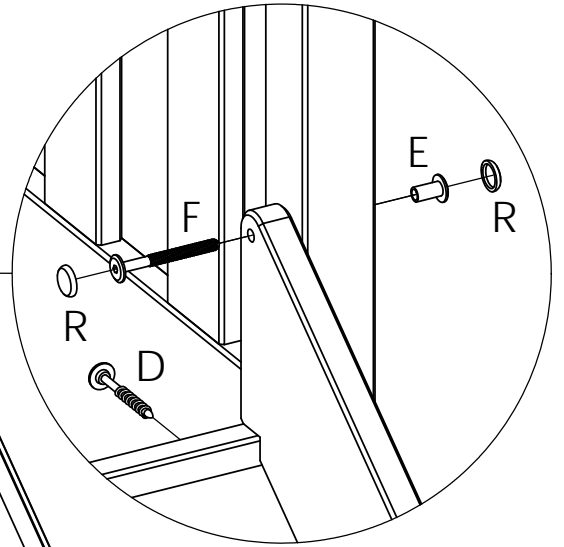
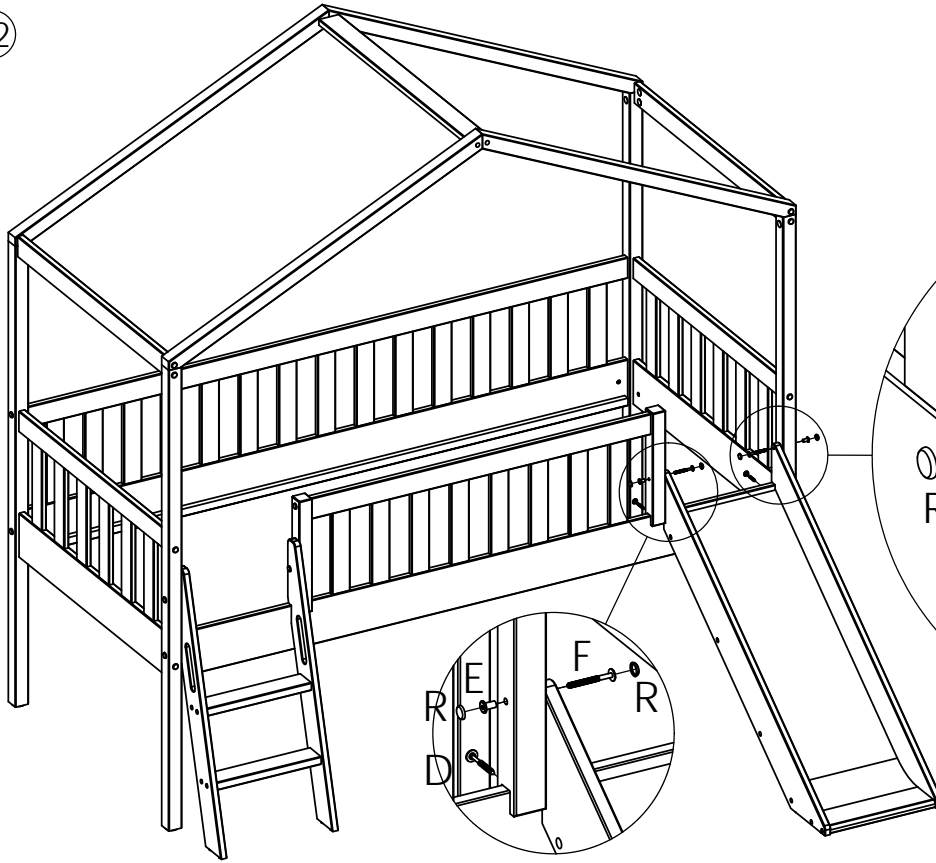


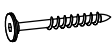
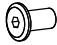
B		7x50	x12
P		D4x13	x12
S		17x3	x4





B		7x50	x2
---	--------------------------------------------------------------------------------------	------	----

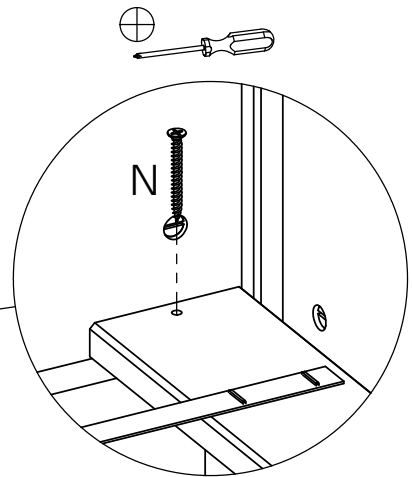
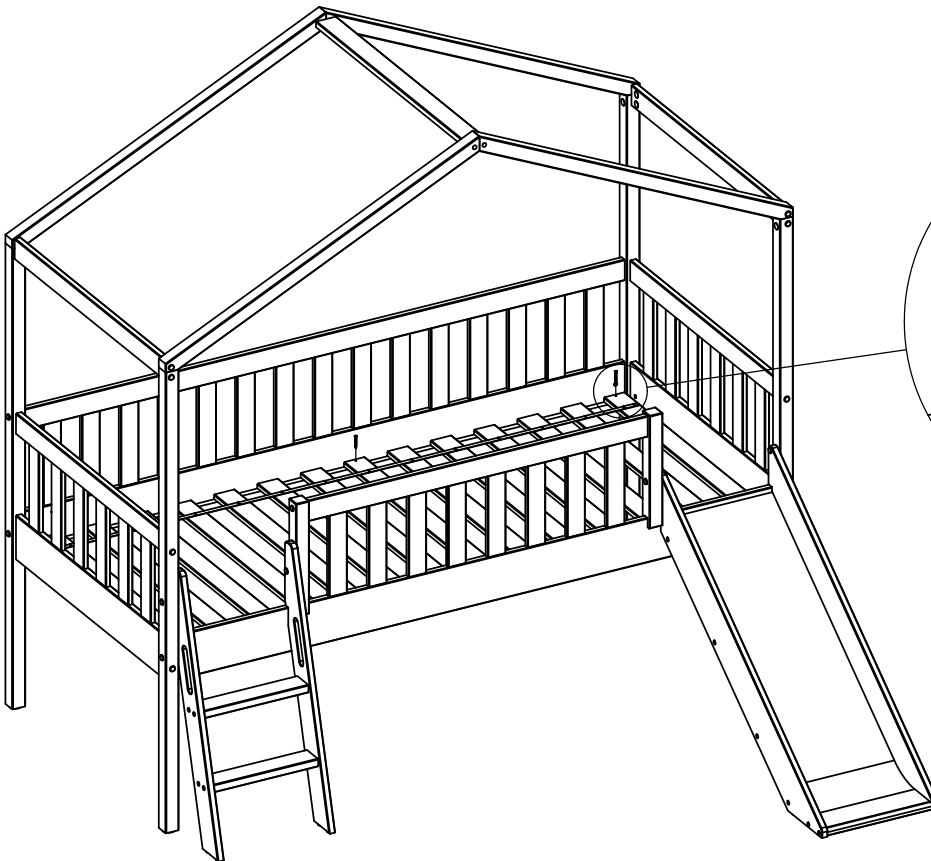
12



D		57/12,5x5,5 Zn	x2
E		M6x8x15x15	x2

F		M6x60	x2
R		D15x18	x4

13



N		3,5x40	x6
---	--------------------------------------------------------------------------------------	--------	----