

---

## ASSEMBLY INSTRUCTIONS

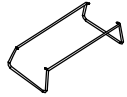
20013 - Creme Beige garden set Le Bonom Vistdal

## PARTS AND HARDWARE

Avoid using sharp objects such as a knife to cut open packing as you may accidentally damage the upholstery.



A:1PC



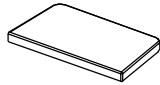
B:1PC



C:2PCS



D:2PCS



E:1PC



F:2PCS



G:4PCS



H:1PC



I:2PCS



J:1PC



K:1PC



L:2PCS



M:1PC



M6\*20  
N:20PCS



M6\*30  
O:4PCS



P:4PCS

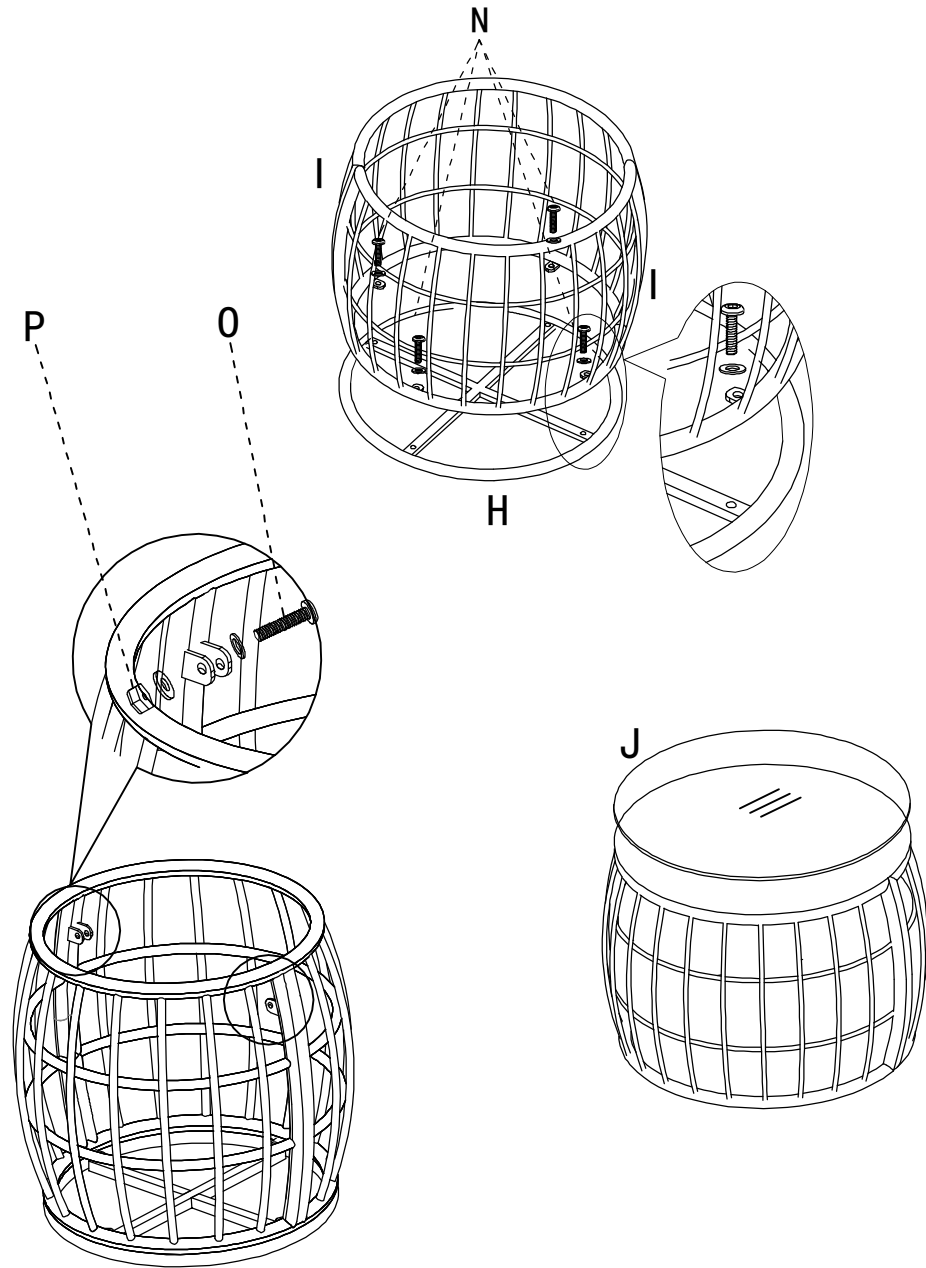


Q:1PC

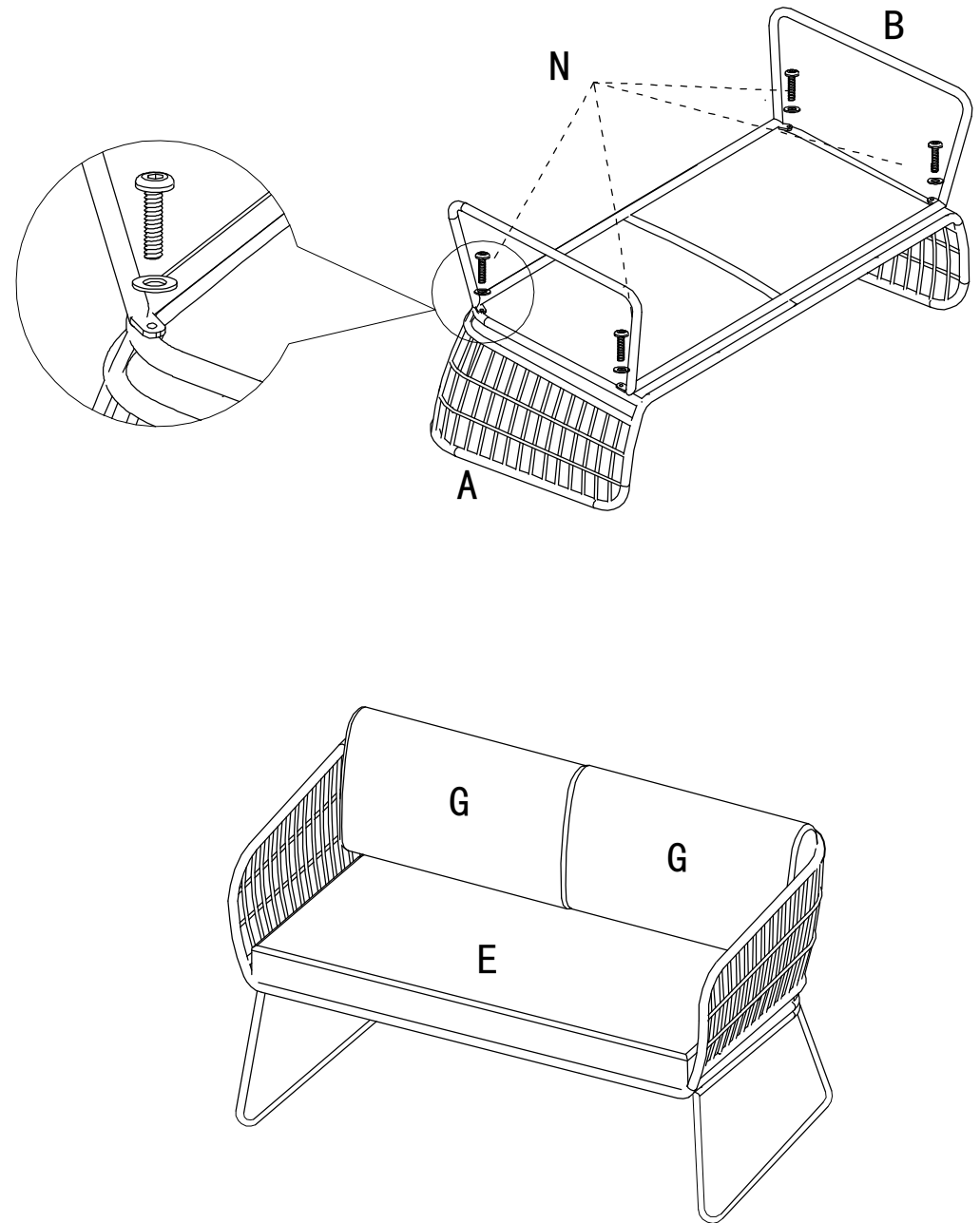


R:1PC

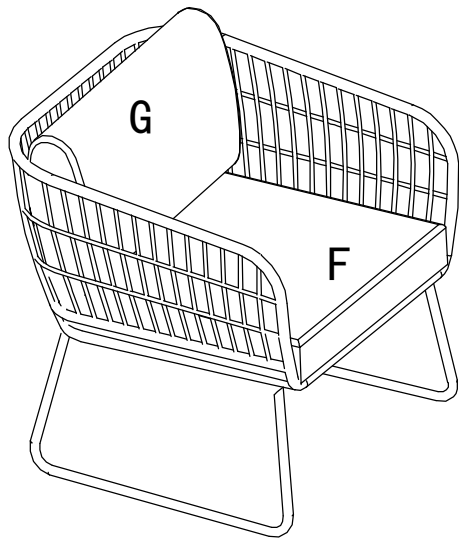
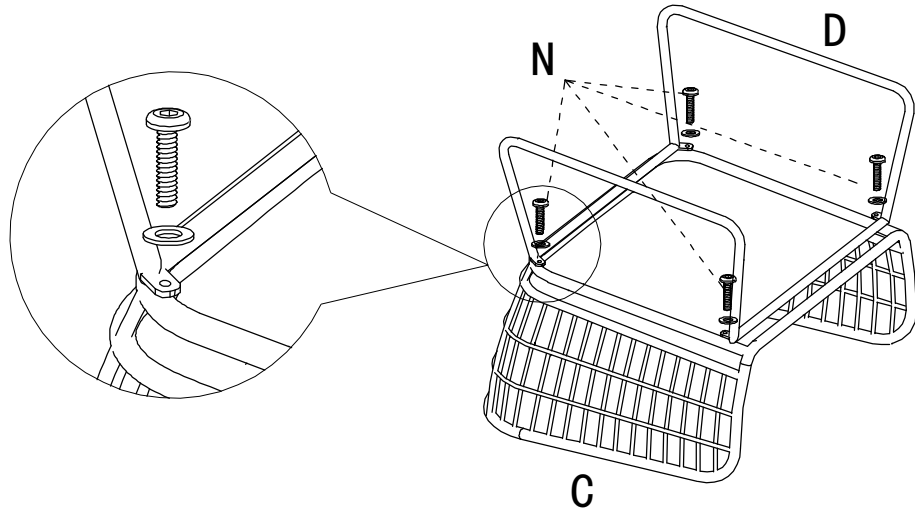
Do not fully tighten bolts until assembly is complete.  
Assemble the table leg(I) to the table top(H), using bolt, washer and nut(N&O&P).



not fully tighten bolts until assembly is complete.  
Assemble the sofa leg(B) to the seat(A), using bolt and washer(N).



Do not fully tighten bolts until assembly is complete.  
Assemble the sofa leg(D) to the seat(C), using bolt and washer(N).



Do not fully tighten bolts until assembly is complete.  
Assemble the table leg(L) to the table top(K), using bolt, washer and nut(N&O&P).

