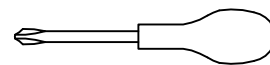
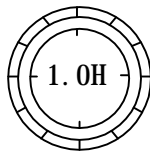
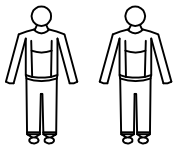
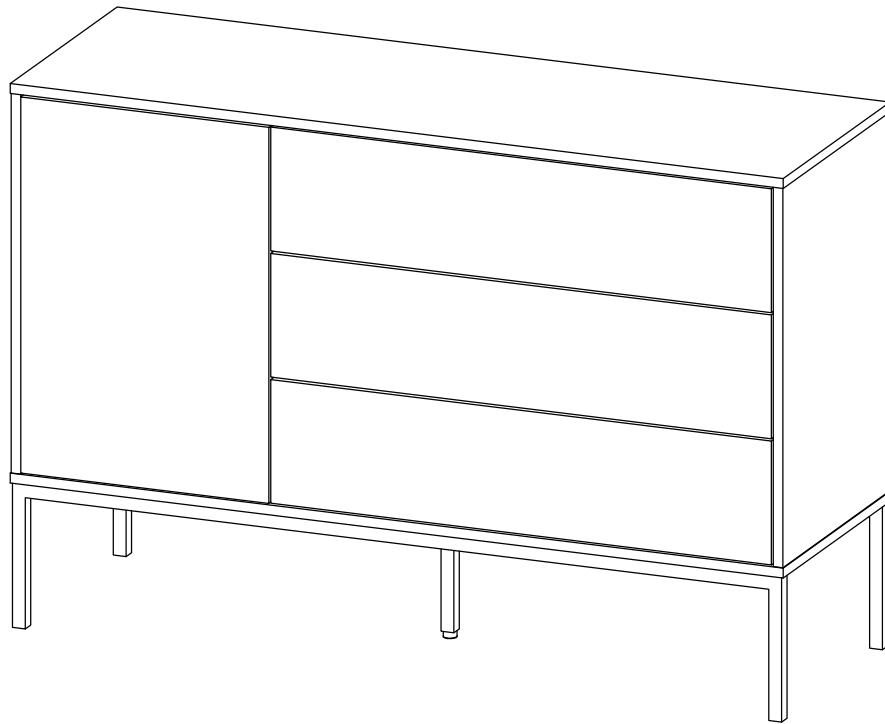
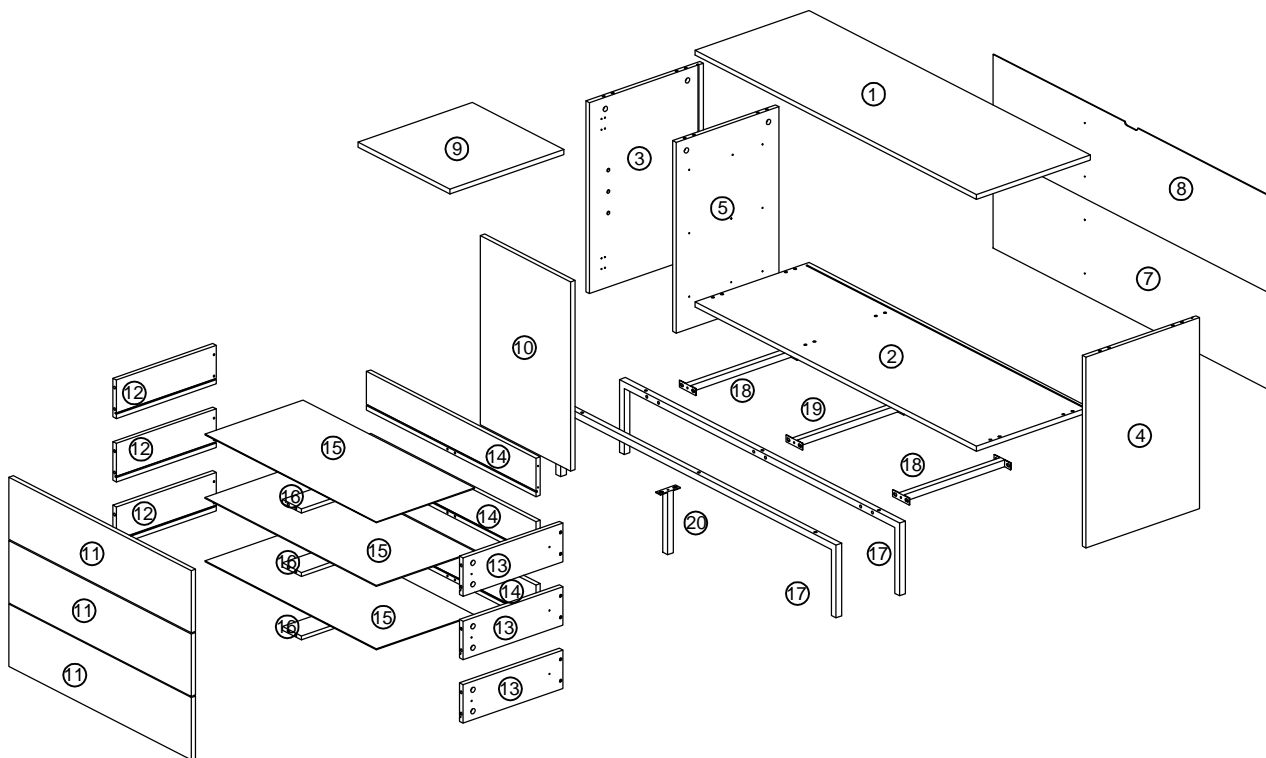



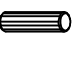




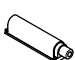

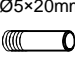


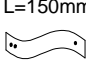
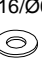


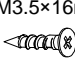
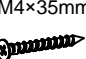
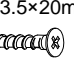



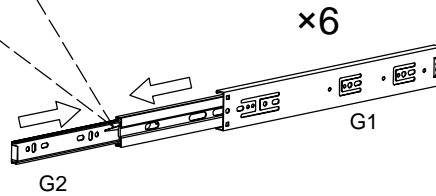
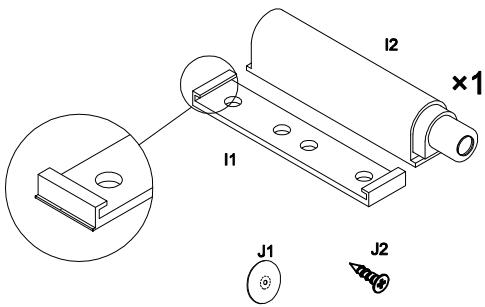
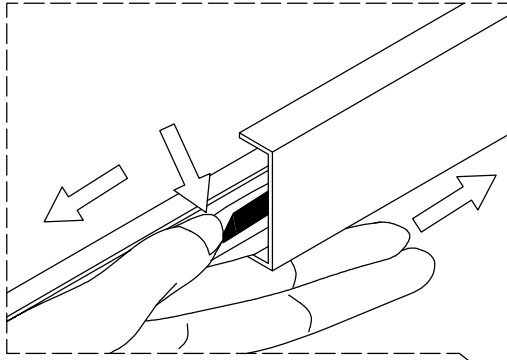
Seaford





A M6.3×45mm  24PCS	B $\text{Ø}15 \times 12\text{mm}$  18PCS	C $\text{Ø}15 \times 10\text{mm}$  6PCS	D $\text{Ø}8 \times 30\text{mm}$  12PCS	E M7×38mm  6PCS	F M3.5×14mm  46PCS	G L=350mm  6PCS
H FK17  2PCS	I  1PC	J  1PC	K $\text{Ø}5 \times 20\text{mm}$  4PCS	L M6×30mm  6PCS	M M6×15mm  14PCS	N L=150mm  1PC
O $\text{Ø}16/\text{Ø}6$  3PCS	P $\text{Φ}20 \times 10/\text{M}6 \times 20$  1PC	Q 9×9×14mm  6PCS	R M3.5×16mm  6PCS	S M4×35mm  18PCS	T M3.5×20mm  4PCS	U M4  1PC

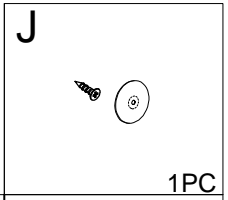
1



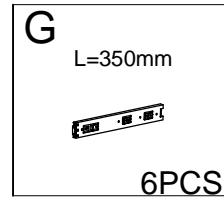
x6

G1

G2

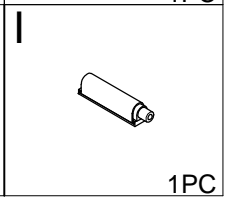


1PC



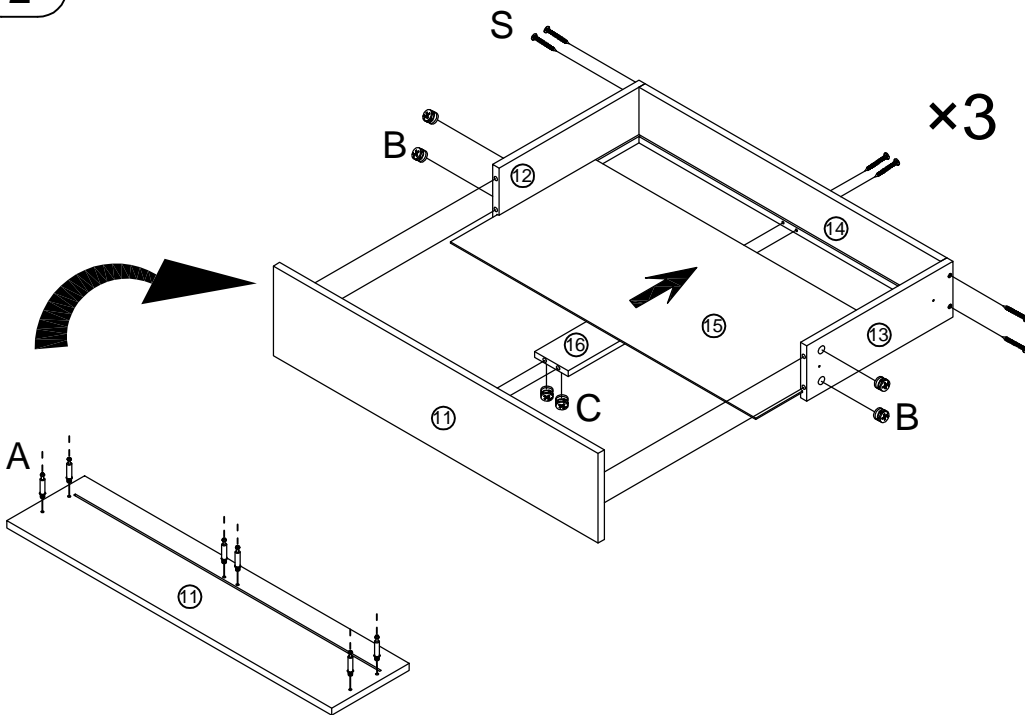
L=350mm

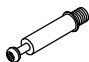



6PCS



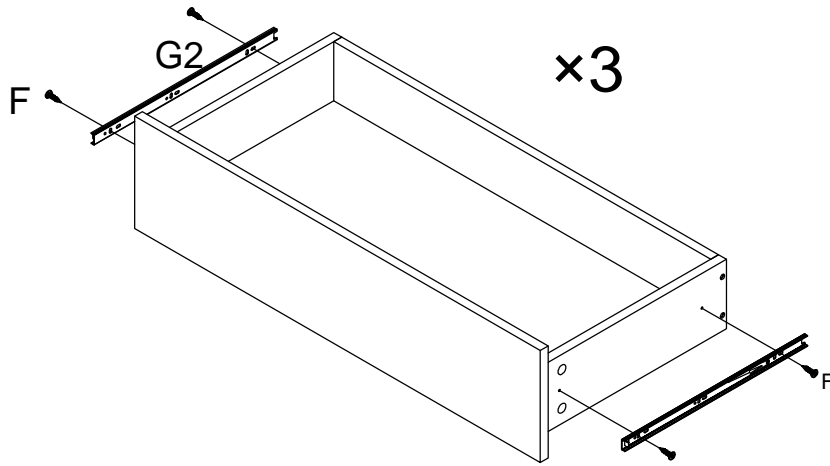
1PC



2



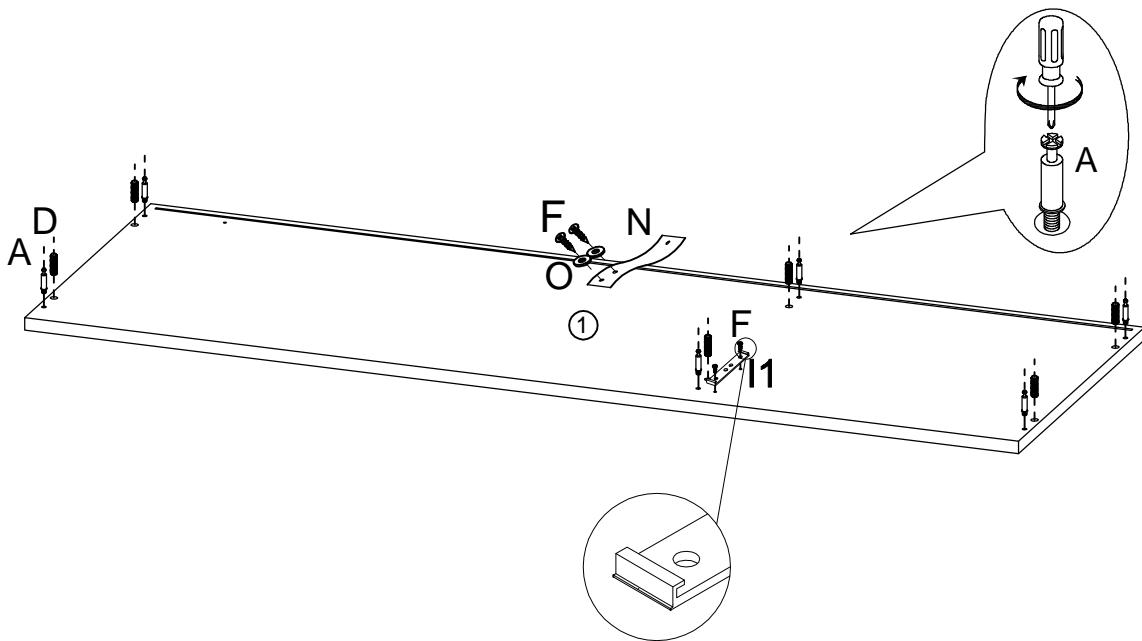
A	B	C	S
M6.3×45mm	Ø15×12mm	Ø15×10mm	M4×35mm
			
18PCS	12PCS	6PCS	18PCS




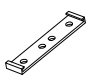


3



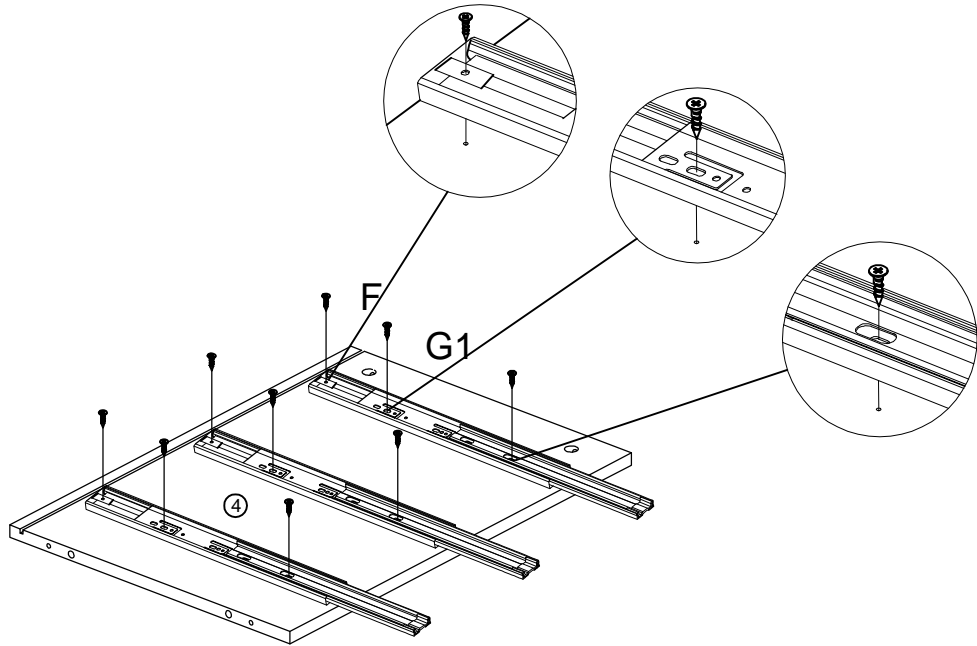
F	M3.5×14mm
	12PCS
G2	L=350mm
	6PCS


4




A	D	F	I1	N	O
M6.3×45mm	Ø8×30mm	M3.5×14mm		L=150mm	Ø16/Ø6
					
6PCS	6PCS	4PCS	1PC	1PC	2PCS

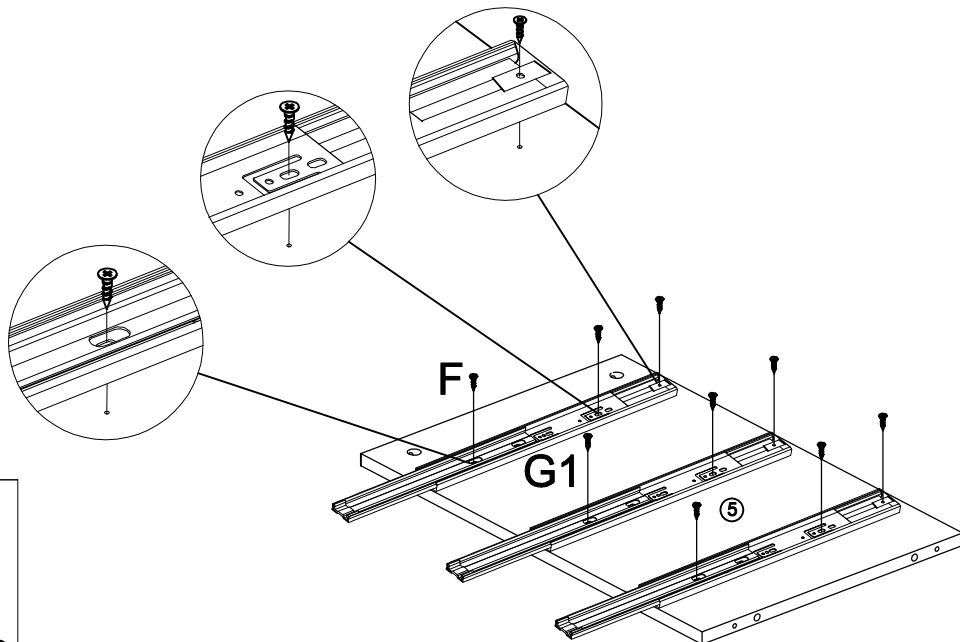
5





F
M3.5×14mm

9PCS

G1
L=350mm

3PCS

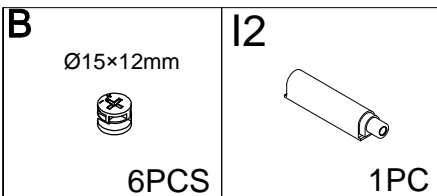
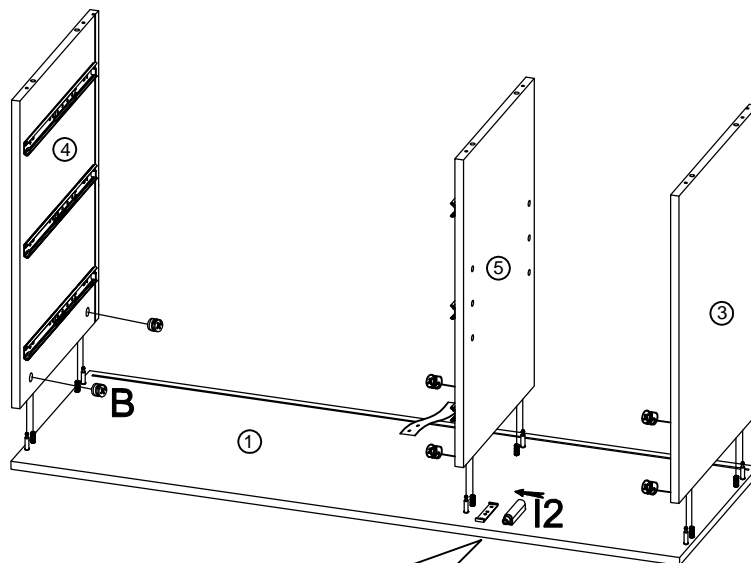
6



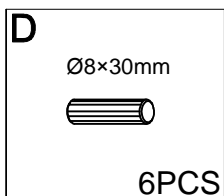
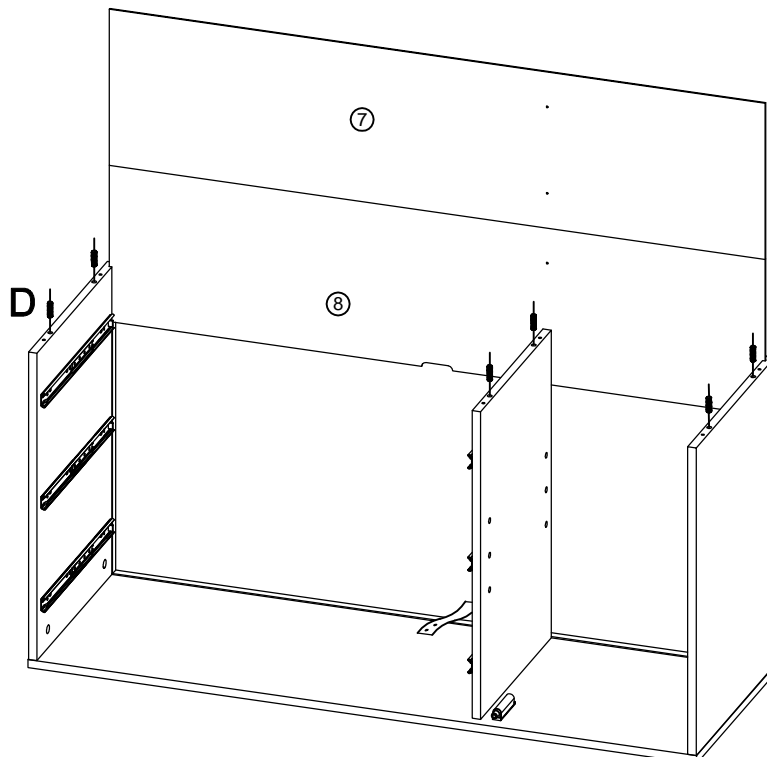
F
M3.5×14mm

9PCS

G1
L=350mm

3PCS

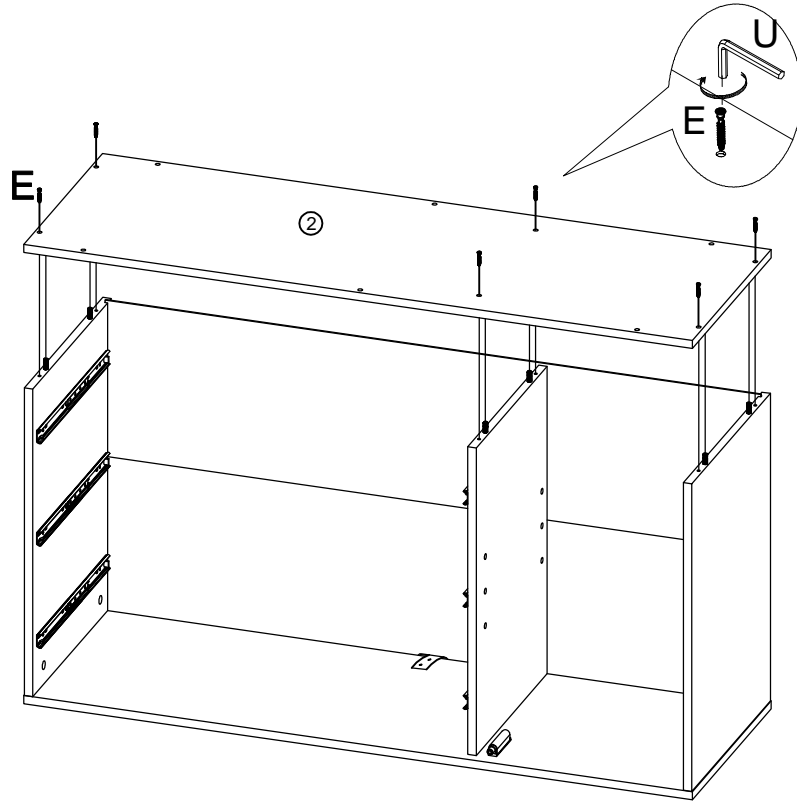
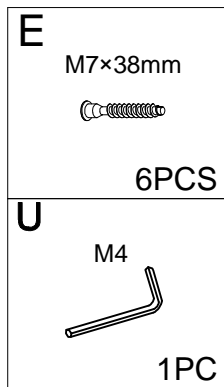
7



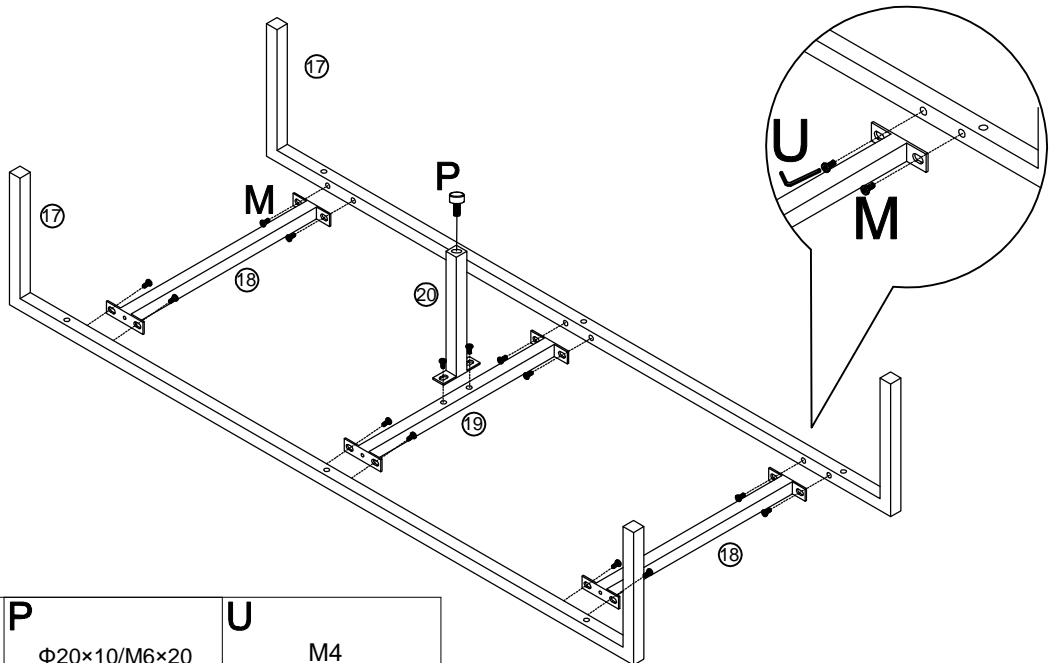
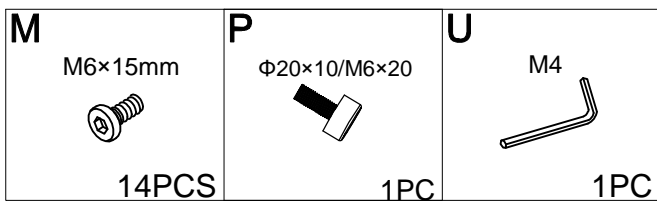
8



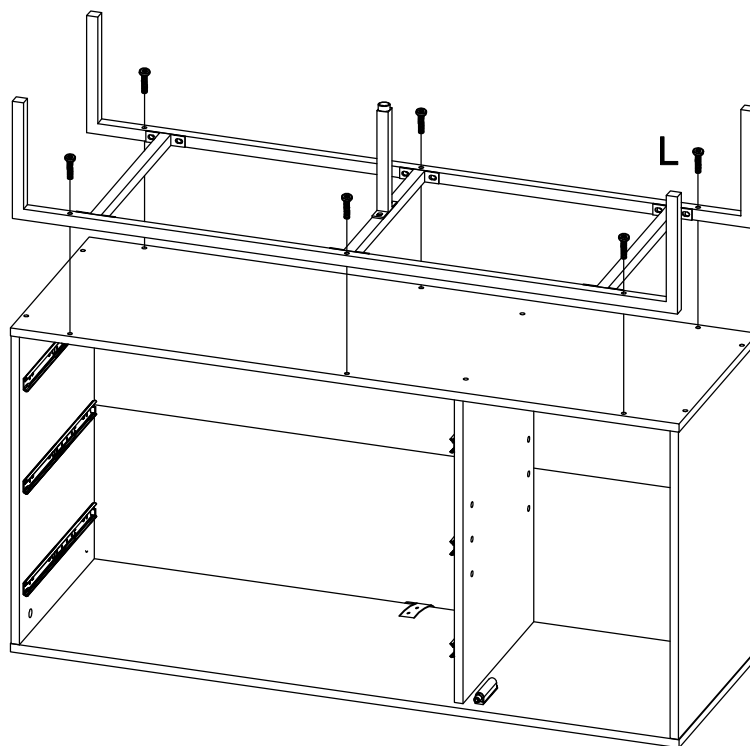
9





10



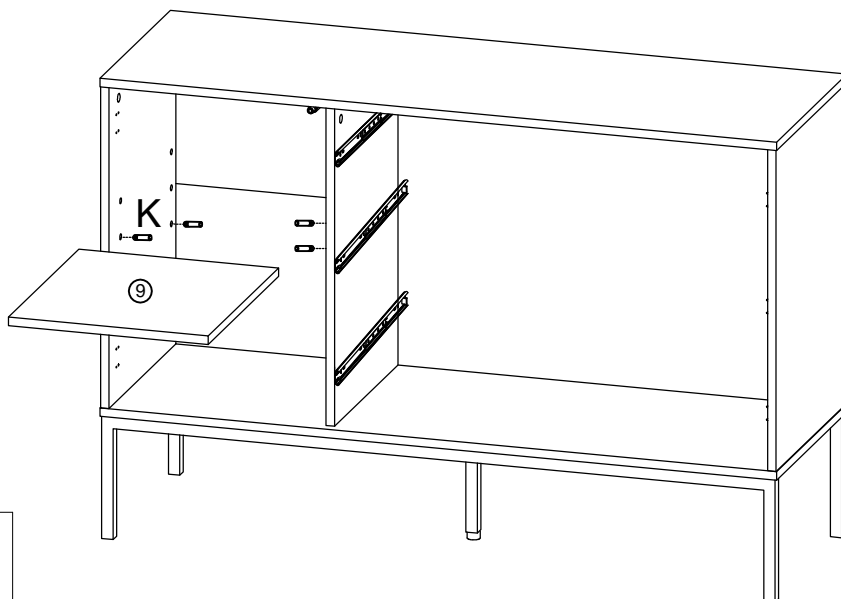
11

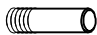


L
M6×30mm

6PCS

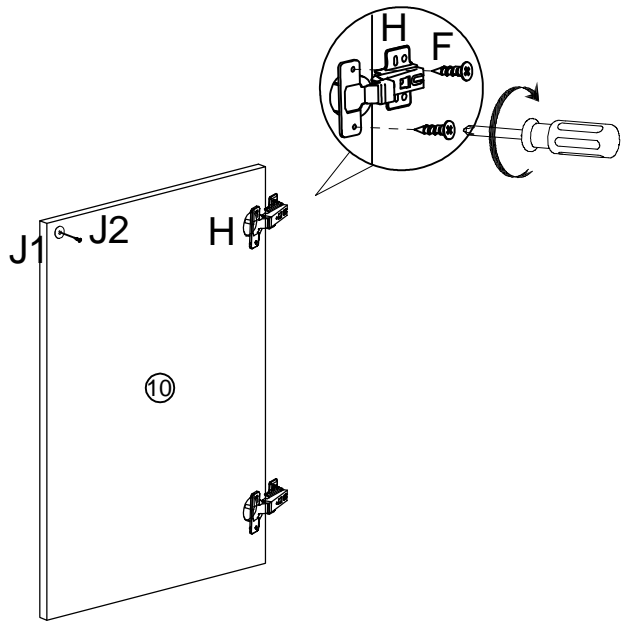
U
M4

1PC




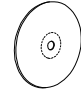
12



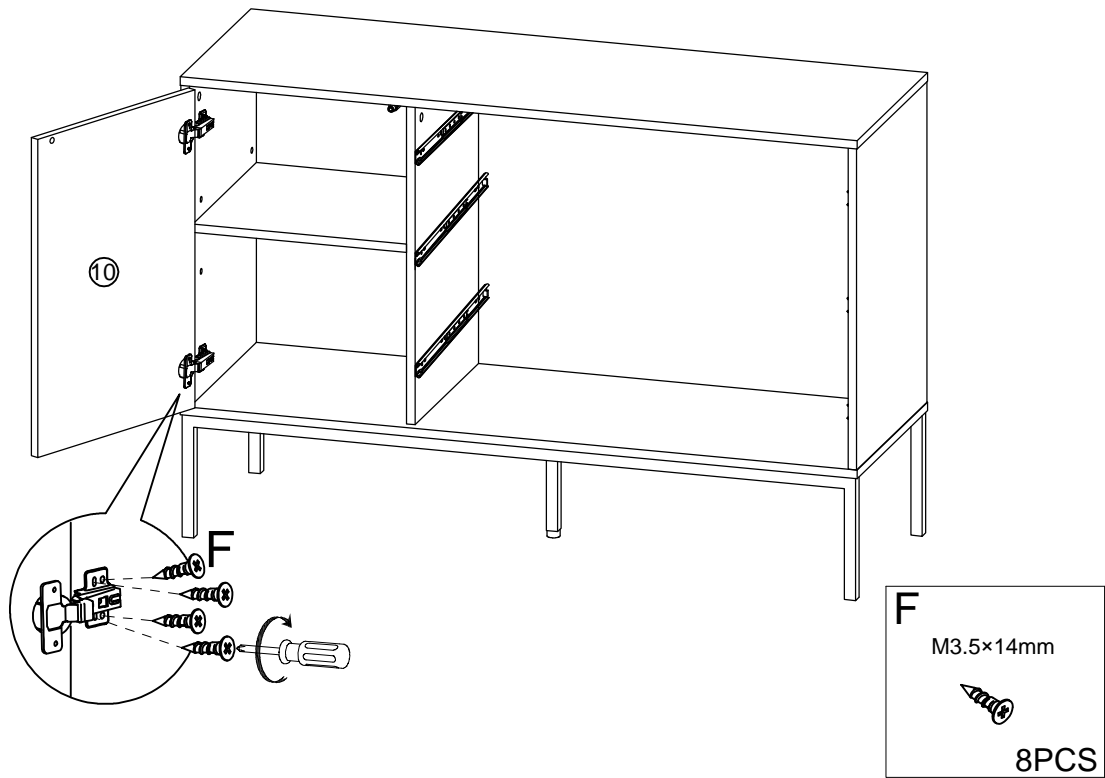
K
Ø5×20mm

4PCS

13

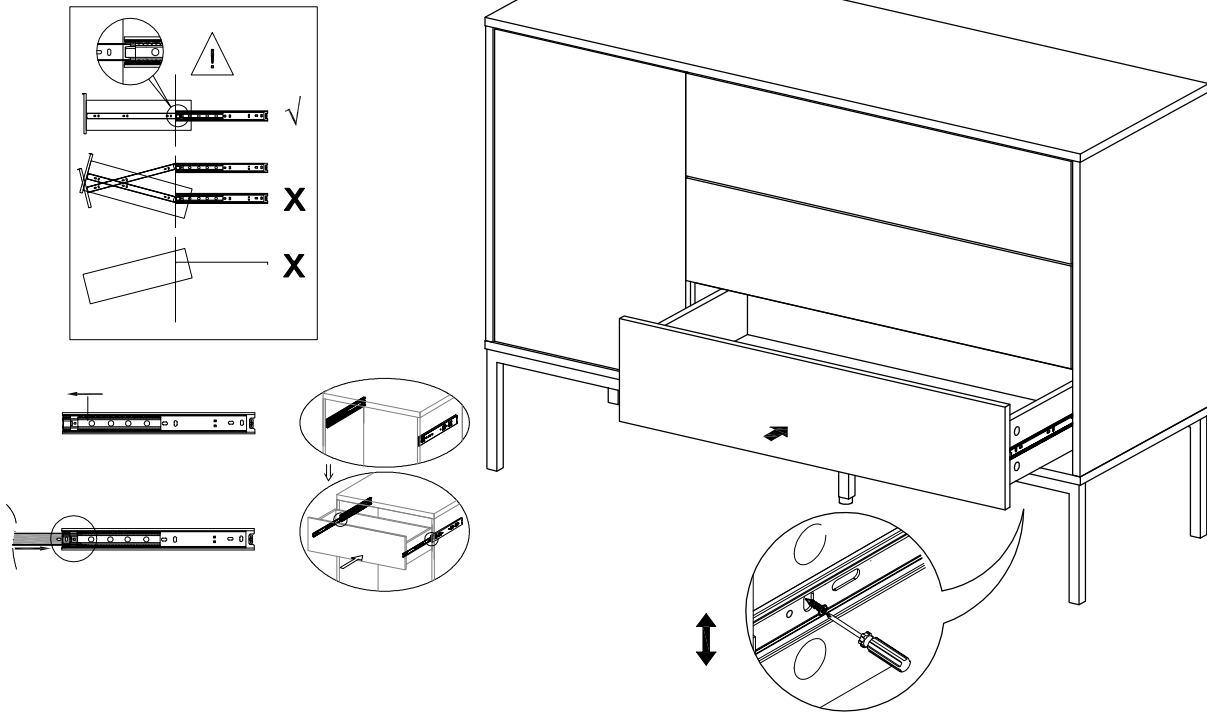


F M3.5×14mm  4PCS	H FK17  2PCS	J2  1PC	J1  1PC
--------------------------------------------------------------------------------------------------------------------	---------------------------------------------------------------------------------------------------------------	-------------------------------------------------------------------------------------------------------	-------------------------------------------------------------------------------------------------------

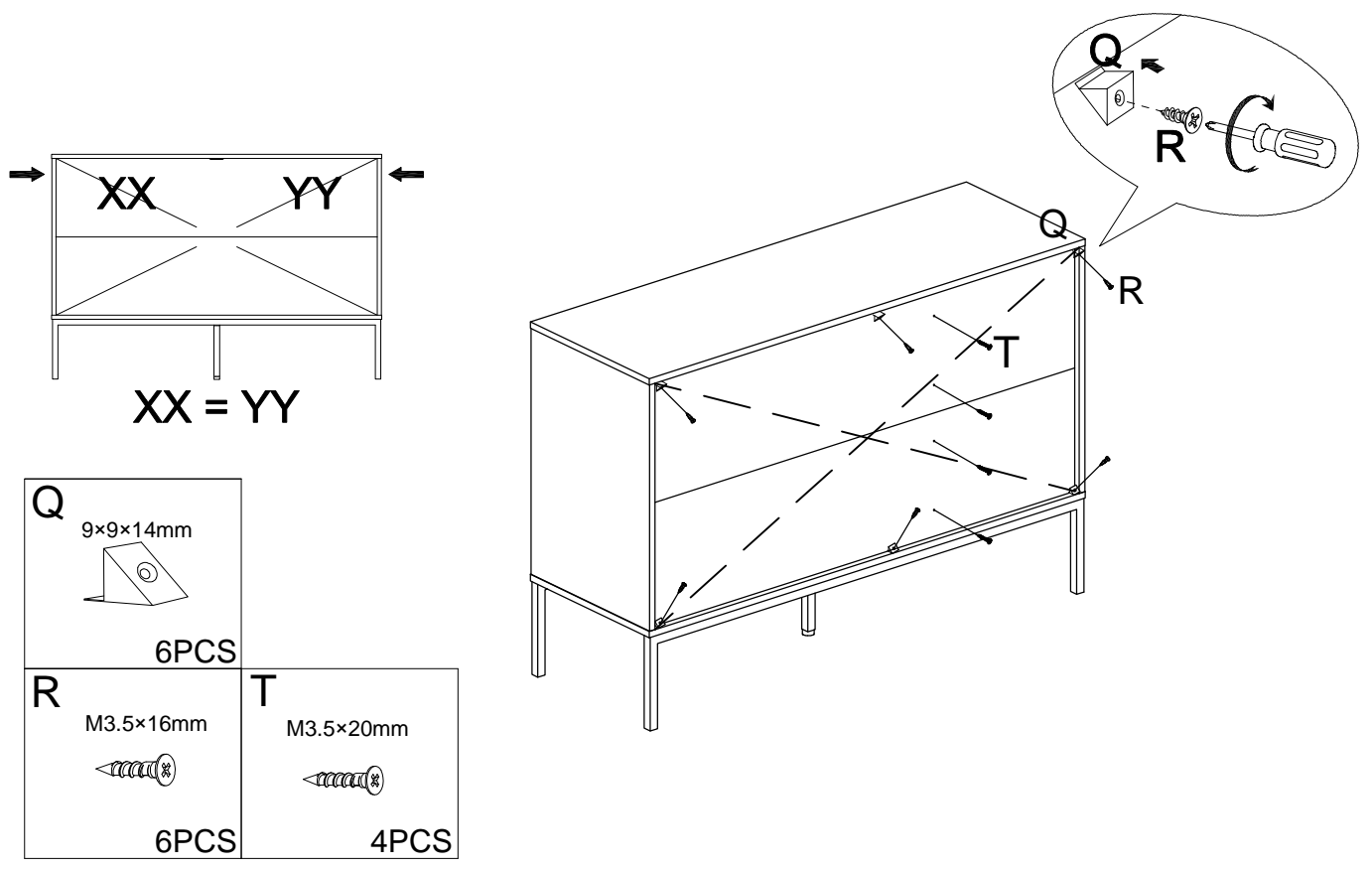
14



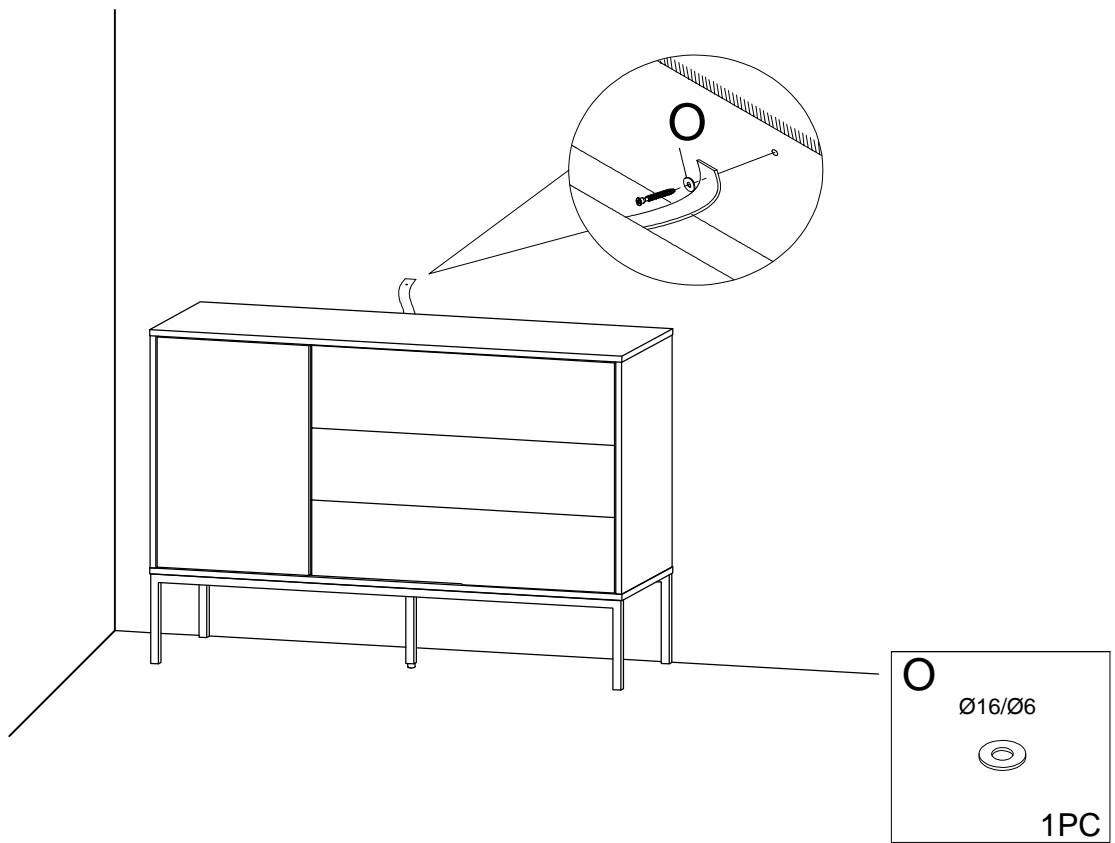
15



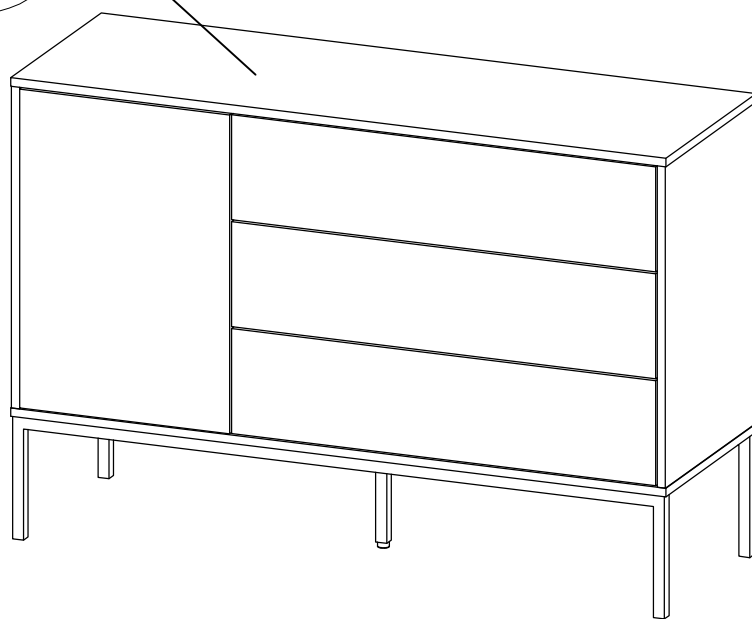
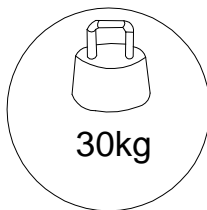
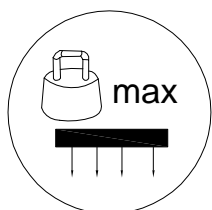
16



17



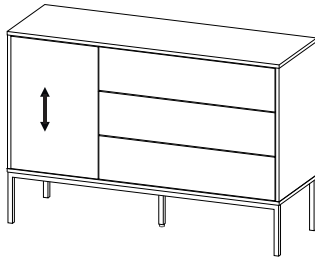
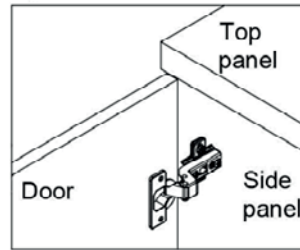
18



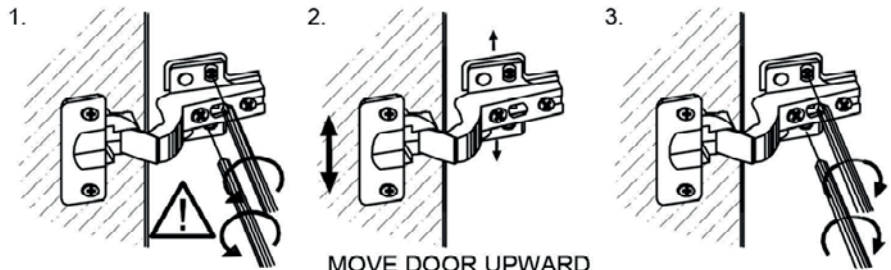


TO ADJUST YOUR DOORS TO MAKE THE GAPS MORE EVEN (OPTIONAL).

**STEP 14.1
Open the door.**



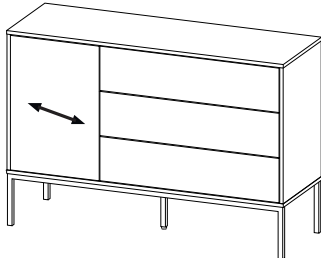
STEP 14.2
Adjust the door panels upward or downward



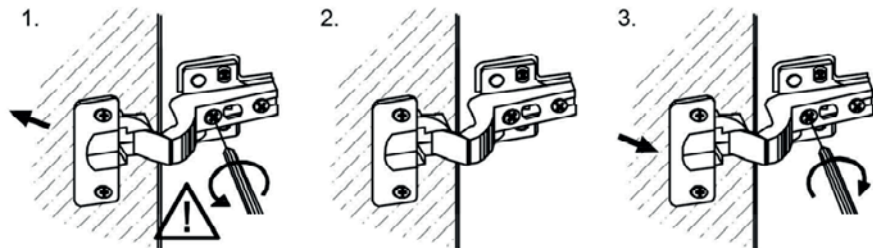
1. Unscrew 2 screws in round holes
Loosen 2 screws in oval holes a bit.

MOVE DOOR UPWARD OR DOWNWARD

3. Tighten 2 screws in oval holes.
Screw in 2 screws in round holes



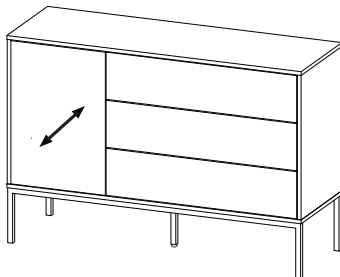
STEP 14.3
Adjust the flush between door panel and side panel



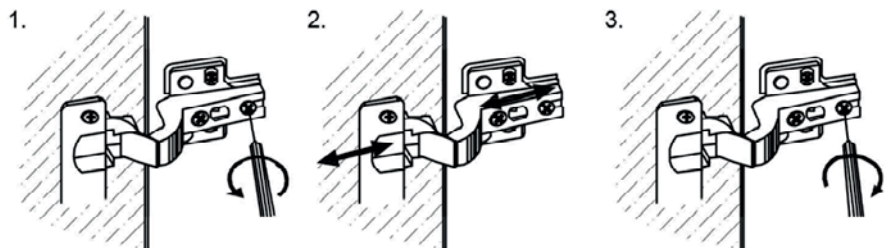
1. MOVE DOOR OUTWARD by turning this screw counter-clockwise

KEEP DOOR IN RIGHT POSITION

3. MOVE DOOR OUTWARD by turning this screw clockwise



STEP 14.4
Adjust the gap between door panel and side panel



1. Loosen this screw a bit.

MOVE DOOR BACK OR FORTH

3. Re-tighten this screw.