

# BUTTERFLIES

hook | user guide



UIMAGE



## WITH LOVE FROM COPENHAGEN

At UIMAGE, our designers take inspiration from the distinct nature of the Nordic landscape to create unique designs related to the way we live in an urban setting. Influenced by the design language, colours and materials found around us in Scandinavia, we create a collection that is rooted in our home but designed for everyone.

Versatile, flexible and multifunctional, our designs are created to enhance an urban lifestyle in smaller spaces!



## **ENGLISH**

As wall materials vary, screws for fixing to wall are not included. For advice on suitable screw systems, contact your local specialised dealer.

## **DEUTSCH**

Da es viele verschiedene Wandmaterialien gibt, sind Schrauben für die Wandbefestigung nicht beige packt. Ggf. sollte man sich beim Eisenwarenfachhandel nach geeignetem Befestigungsmaterial erkundigen.

## **FRANÇAIS**

Les vis et ferrures pour fixer le meuble/l'objet au mur ou au plafond ne sont pas incluses. Choisissez des vis et ferrures adaptées au matériau de votre mur. En cas de doute, demandez conseil à un vendeur spécialisé.

## **NEDERLANDS**

Omdat er zoveel verschillende soorten wandmaterialen zijn, zitten

er geen schroeven voor de wandbevestiging in de verpakking. Voor advies over geschikte schroeven, neem contact op met de plaatselijke vakhandel.

## **DANSK**

Der findes mange forskellige vægmateriale, og derfor medfølger der ikke skruer til vægmontering. Hvis du har brug for råd om forskellige skruer og rawlplugs, skal du kontakte en uddannet forhandler.

## **ÍSLENSKA**

Veggir húsa eru mismunandi og því fylgja ekki skrúfur til að festa húsgagnið við vegg. Fáðið ráð í byggingavöruverslun varðandi hentugar skrúfur.

## **NORSK**

Ettersom det finnes mange ulike typer av veggmaterialer følger det ikke med skruer. Kontakt din lokale

faghandel for råd om valg av skruer og festebeslag.

## **SUOMI**

Koska erilaisiin seinämateriaaleihin on käytettävä erilaisia ruuveja, pakkaus ei sisällä ruuveja seinäkiinnitystä varten.

## **SVENSKA**

Eftersom det finns många olika väggmaterial, medföljer ej skruvar för vägginfästning. För råd om lämpliga skruvsystem, kontakta din lokala fackhandlare.

## **ČESKY**

Stěny bývají z různých materiálů, a proto šrouby nejsou součástí balení výrobku. Vhodný typ šroubů vám doporučí ve specializované prodejně.

## **ESPAÑOL**

Como hay tantos tipos de paredes, no se incluyen los tornillos para el montaje en la pared. Para recomendaciones

sobre sistemas adecuados, ponte en contacto con un especialista.

## **ITALIANO**

Poiché le pareti sono di materiali diversi, le viti per il fissaggio non sono incluse. Per scegliere le viti adatte, rivolgiti a un rivenditore locale.

## **MAGYAR**

Mivel a fal anyaga lakásonként/otthononként változó lehet, a rögzítéshez szükséges csavarokat, tipliket a csomag nem tartalmazza. A megfelelő csavarok kiválasztásáért kérj tanácsot az áruházban a szakképzett személyzettől.

## **POLSKI**

Ponieważ materiał, z którego wykonano ścianę może być inny w każdym mieszkaniu, w komplecie nie znalazły się żadne umocowania ani wkrety. Aby uzyskać poradę w kwestii doboru odpowiednich wkretów skontaktuj się z lokalnym sklepem specjalistycznym.

## EESTI

Seinamaterjalide erinevuse tõttu pole lisatud kruvisid. Sobivate kin-nitusvahendite leidmiseks pöörduge lähimasse tööriistapoodi.

## LATVIEŠU

Skrūves piestiprināšanai pie sienas nav iekļautas komplektā, jo tās jāizvēlas atkarībā no sienu materiāla. Lai izvēlētos piemērotāko skrūvju sistēmu, sazinieties ar būvniecības speciālistu.

## LIETUVIŲ

Kadangi sienų apdailos medžiagos skiriasi, tvirtinimo elementai nepridedami. Reikalingus varžtus ir tvirtinimo elementus padės pasirinkti vietas specializuotas pardavėjas.

## PORTUGUÊS

Como os materiais de parede variam, os parafusos para fixar à parede não estão incluídos. Para obter conselho

sobre o sistema de parafusos adequado, consulte o seu retalhista local especializado.

## ROMÂNĂ

Întrucât materialele din care sunt construiți pereții variază, șuruburile pentru fixarea pe perete nu sunt incluse. Contactează dealer-ul tău local pentru consiliere.

## БЪЛГАРСКИ

Поради разнообразието от стенни материали, винтове за прикрепяне към стената не са осигурени. За съвет относно подходящи прикрепващи механизми можете да се свържете със специализиран доставчик.

## HRVATSKI

S obzirom na različite vrste zidova, vijci za pričvršćivanje na zid nisu priloženi. Za savjet o odgovarajućim vijcima kontaktirajte svoju lokalnu specijaliziranu prodavaonicu.

## **SLOVENSKY**

Na rôzny typ stien použite vhodné skratky. Ak si neviete dať rady, poraďte sa s miestnym predajcom.

## **ΕΛΛΗΝΙΚΑ**

Επειδή τα υλικά των τοίχων διαφέρουν, οι βίδες στερέωσης δεν περιλαμβάνονται. Για πληροφορίες, σχετικά με το ενδειγμένο κατά περίπτωση σύστημα στερέωσης, παρακαλούμε ελάτε σε επαφή με το ειδικευμένο κατάστημα της περιοχής σας.

## **РУССКИЙ**

Так как материалы стен различаются, шурупы для фиксации на стене не прилагаются. Для выбора подходящих крепежных средств обратитесь в местный специализированный магазин.

## **SRPSKI**

Kako se vrste zidova razlikuju, tiplovi nisu uključeni. Obratite se

specijalizovanim radnjama radi uputstva o odgovarajućim tiplovima.

## **SLOVENŠČINA**

Ker se stenski materiali razlikujejo, vijaki niso priloženi. Za nasvet glede primerne vrste vijakov se obrnite na najbližjo specializirano trgovino.

## **TÜRKÇE**

Duvar yapı malzemeleri farklılık gösterebileceğinden duvar montajı vidaları dahil değildir. Uygun vida sistemi için, ilgili araç-gereçlerin satıldığı dükkanlara başvurunuz.

## **中文**

本产品不附带安装螺钉。墙体材料不同，墙面安装使用螺钉须根据具体墙体材料进行适宜选择。必要时，应向专业五金店咨询。

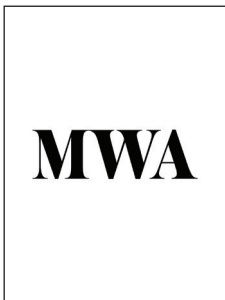


## 繁中

由於牆壁的材質每戶不同, 故所需的螺絲或配件需另購買. 若不知使用何種螺絲配件, 請向當地的五金行詢問.

## 한국어

벽마다 소재가 다르기 때문에 벽고정용 나사는 포 함되어 있지 않습니다.  
적합한 나사 선택에 관해서는  
전문가에게 문의하세요.

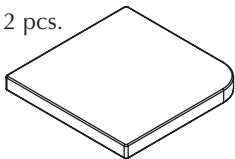


DESIGNED BY  
MAKERS WITH AGENDAS

“ Keep things from  
flying away with the  
Butterflies coat hook. ”

# ASSEMBLY GUIDE

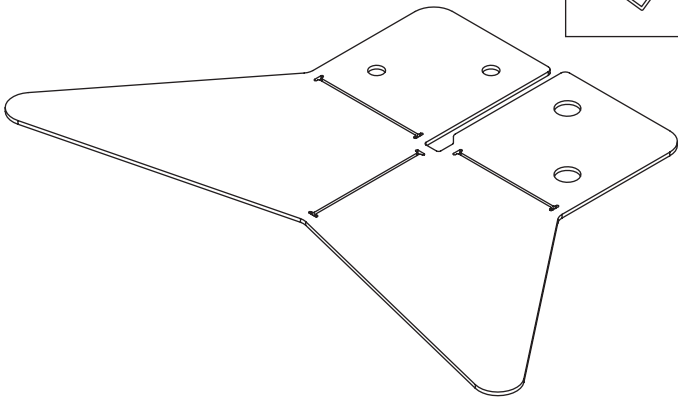
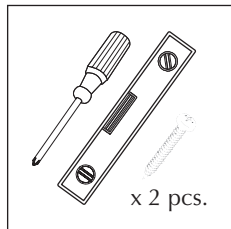
Ⓑ x 2 pcs.



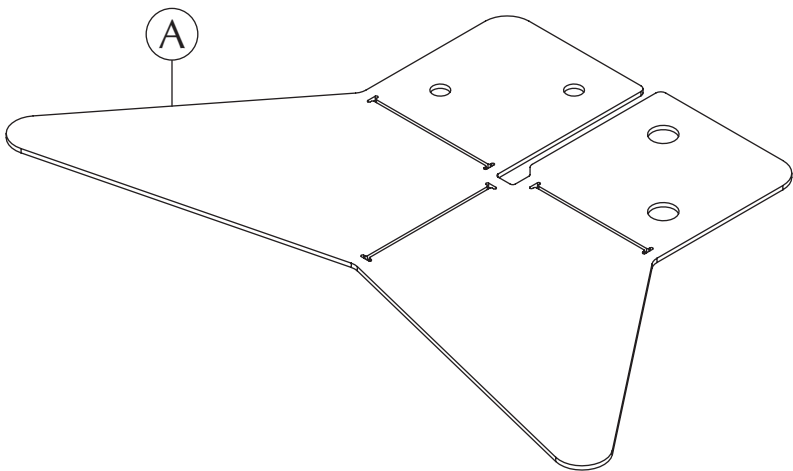
Ⓒ x 2 pcs.

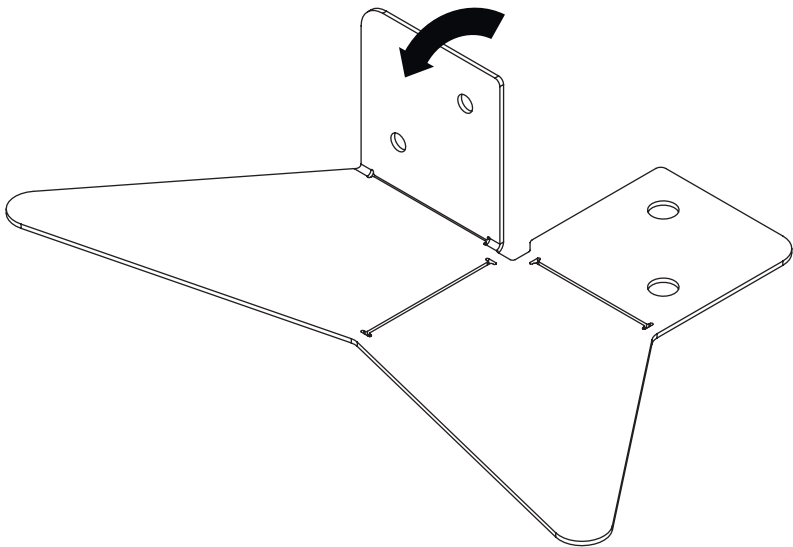


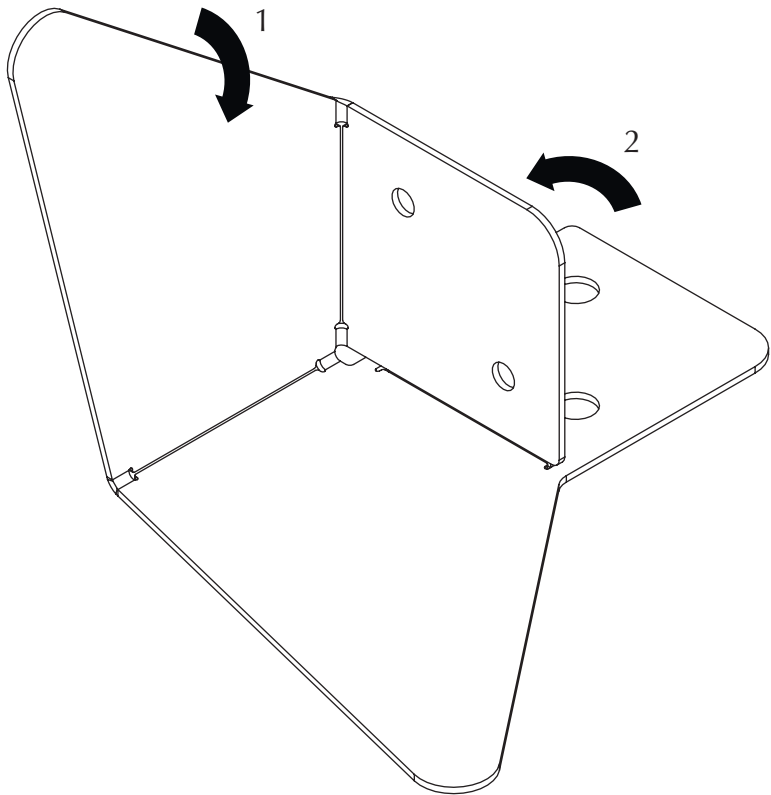
Ⓐ x 1 pc.

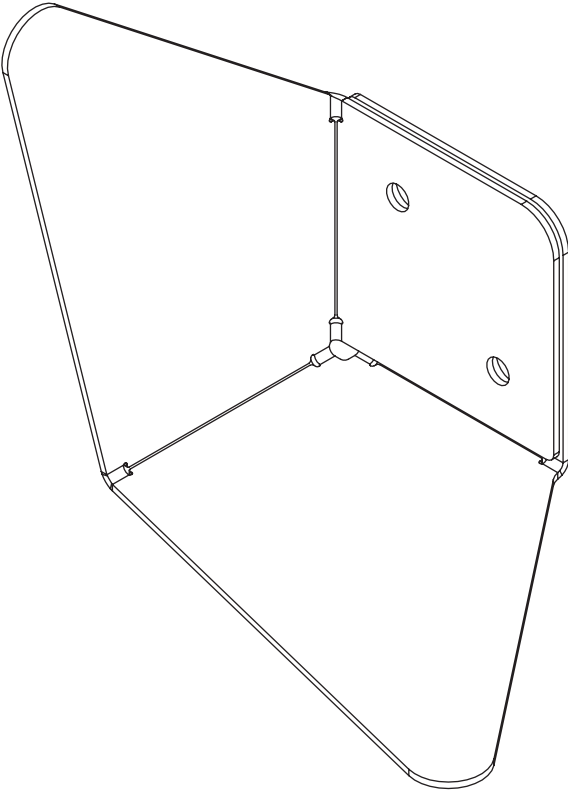


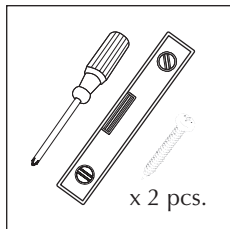
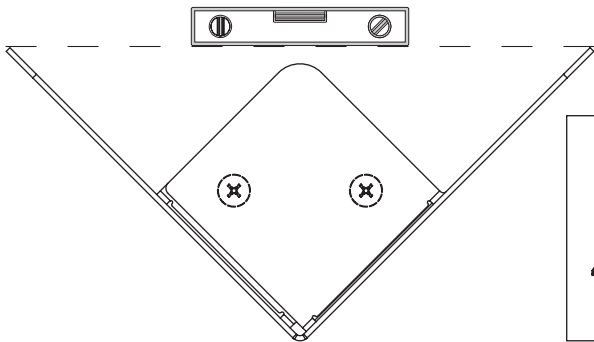
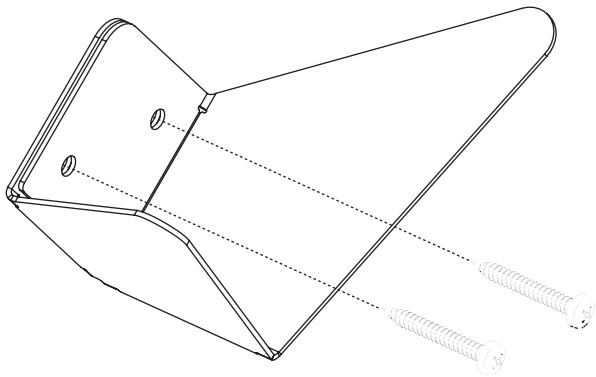
Find assembly videos by using the QR code or by going online at our website  
[umage.com/instructions](https://umage.com/instructions)



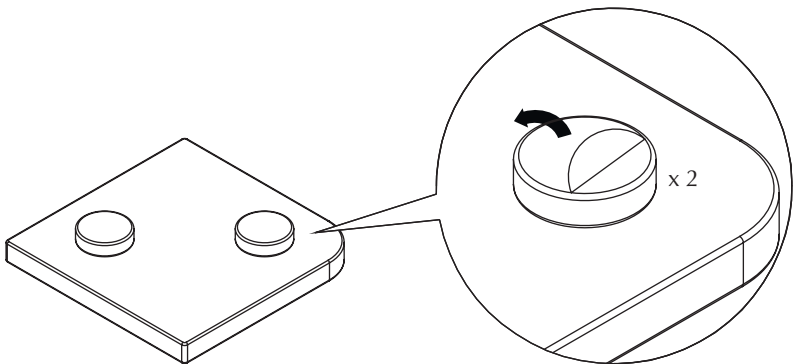
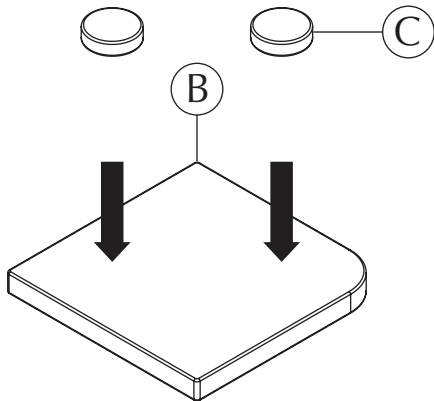


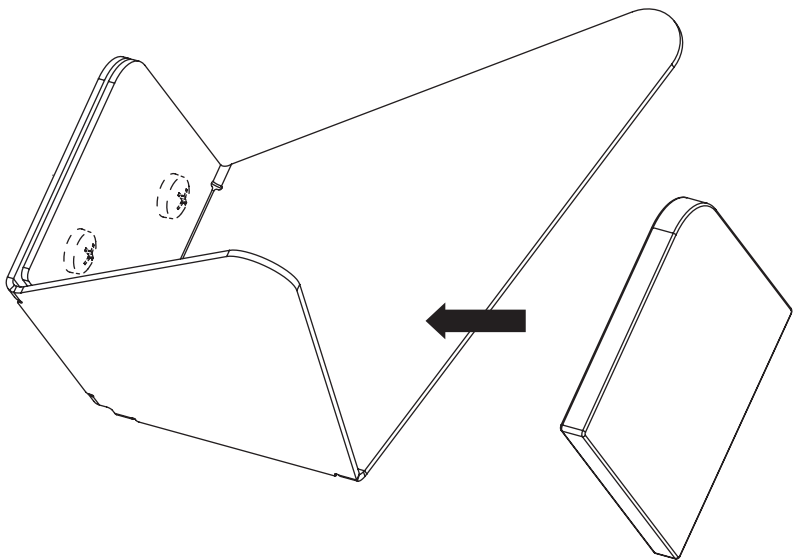


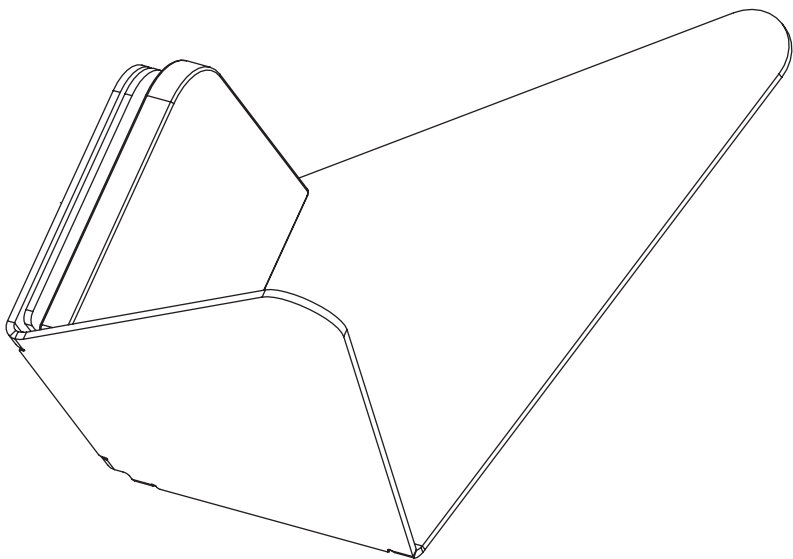








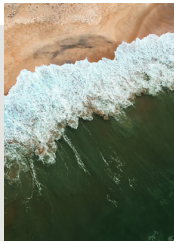




## SUSTAINABLE SUSTAINABILITY EFFORTS

We are dedicated being sensible frontrunners on the environmental responsibility. If we provide timeless and functional quality designs that last, we know nature will prevail, as will UIMAGE.

*"SAVING THE SCENT OF THE FOREST  
AFTER AN EARLY MORNING RAIN"*



### GIVING BACK TO NATURE

In collaboration with the NGO One Tree Planted, we are planting a tree every time one of our designs made from wood are being sold.

## MULTIFUNCTION AND FLEXIBILITY

One of the key aspects of the designs at UIMAGE is multiple functions and flexibility. Designing with more than one function in mind is a sustainable mindset as it reduces the number of products you need to buy to get a complete setting for your space.



## REUSABLE PACKAGING

To minimize packaging waste, most of the packaging from our lighting collection is repurposed to be used as beautiful storage boxes afterwards. Learn more on the next page...



## REUSABLE PACKAGING

With your new lamp, you have also received a free decorative storage box for the shelf.

### THIS IS HOW IT WORKS

When your new lamp is out of the box you can keep the box and reuse it as a storage box for your small bits and bobs and place it on the shelf or on the top of your closet - repurposing the packaging for you and the environment.



So not only are UIMAGE's designs flat-packed to optimize the global logistics and the environmental footprint, but it ensures that you don't need to throw away tons of packaging material, that can just as well be reused for something new.

Read more about our many sustainability efforts:  
[umage.com/sustainability](https://umage.com/sustainability)



Please follow the marked icons on the packaging materials for correct disposal of the remaining packaging materials:



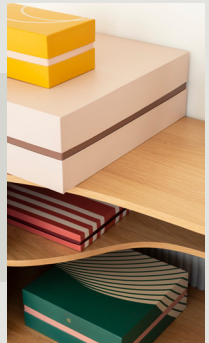
CARDBOARD



PAPER



Recycle your waste correctly  
by searching for these icons on  
the packaging



FOLLOW US ON SOCIAL MEDIA



@umagedesign | #umagedesign | [umage.com](http://umage.com)



UIMAGE



220523