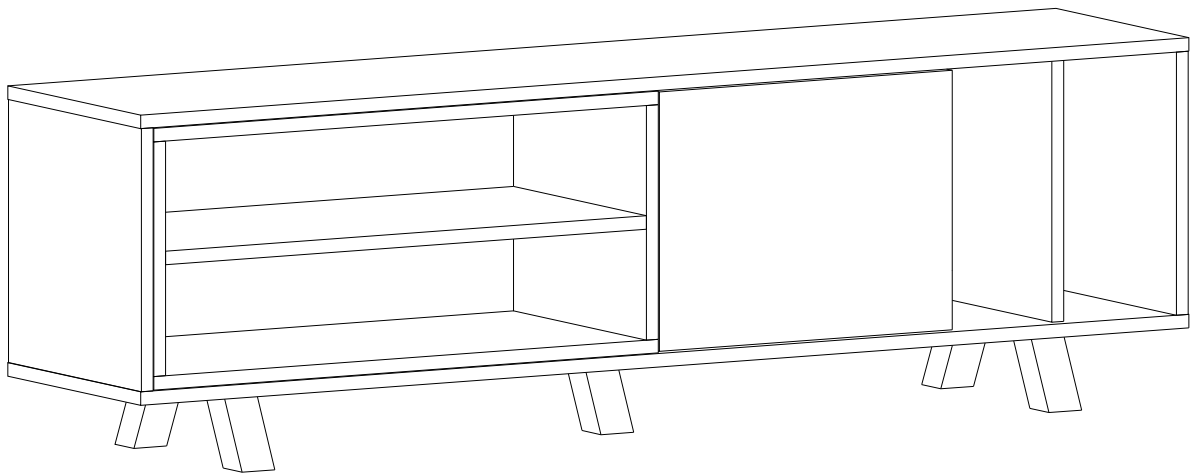


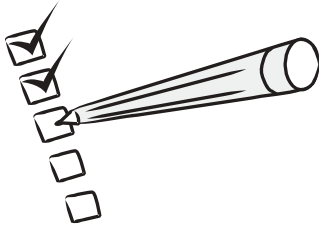
ROSMAR TV UNIT



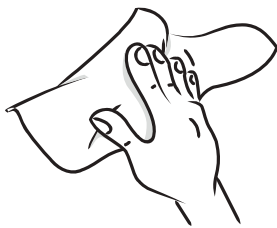
Dear Customer,

We design and produce our products for people to love and have fun with them as we do.

The product you bought was subjected to all sorts of tests and control before sending out to you.



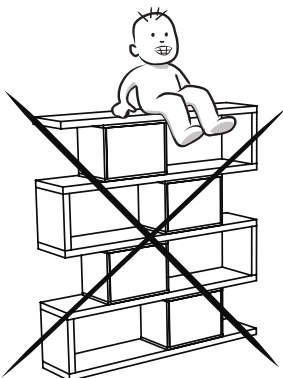
Before start assembling, please check the whole components and accessories according to the lists. If you bought more than one product, to prevent confusion be sure that you completed the first product. Then start the other product's assembling.



Before start assembling, please clean all the components with a damp cloth. Also for usual cleaning, this will be enough.



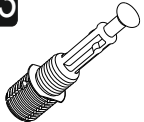
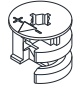

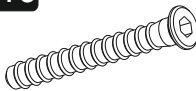


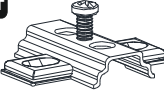
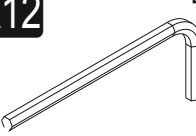
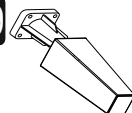


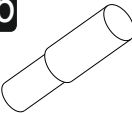

Although all the products are produced and packed carefully, sometimes happen that some component is damaged during the transportation. In such a case please check the missing or damaged part and do not hesitate to contact us.



Do not use your furniture for out of purposes. If you would like to use it, please contact us for further questions.

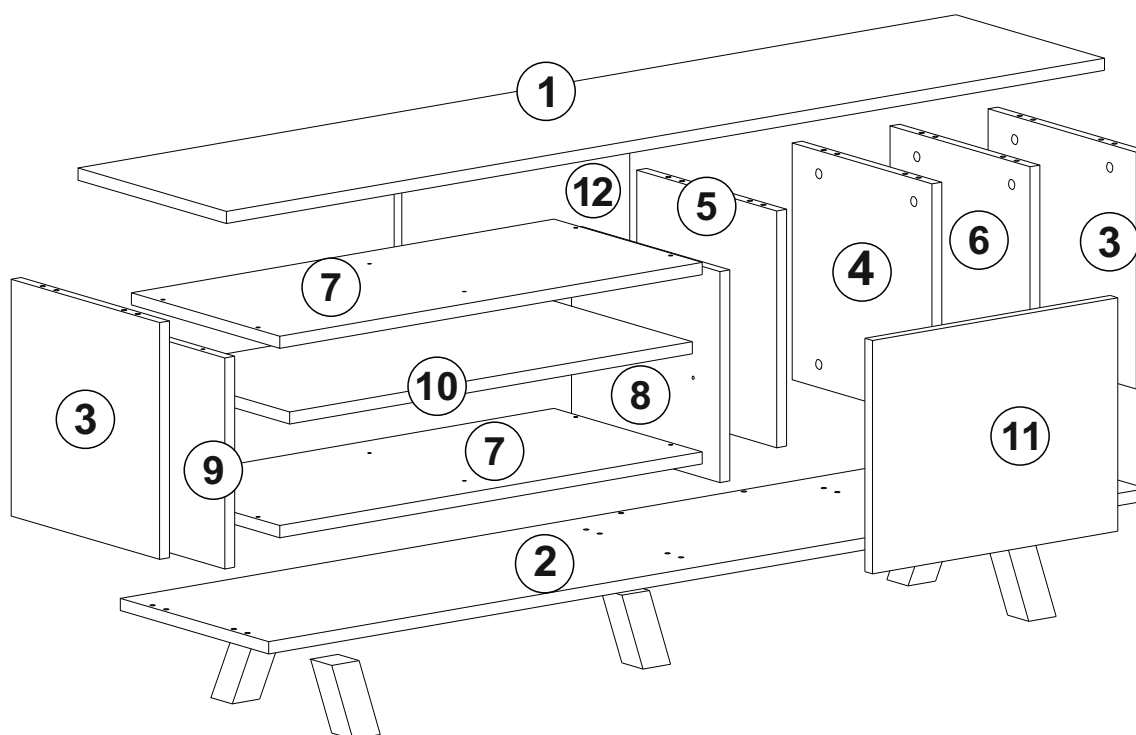
Do not directly contact your furniture with excessive heat, cold and humidity because the product can be affected..

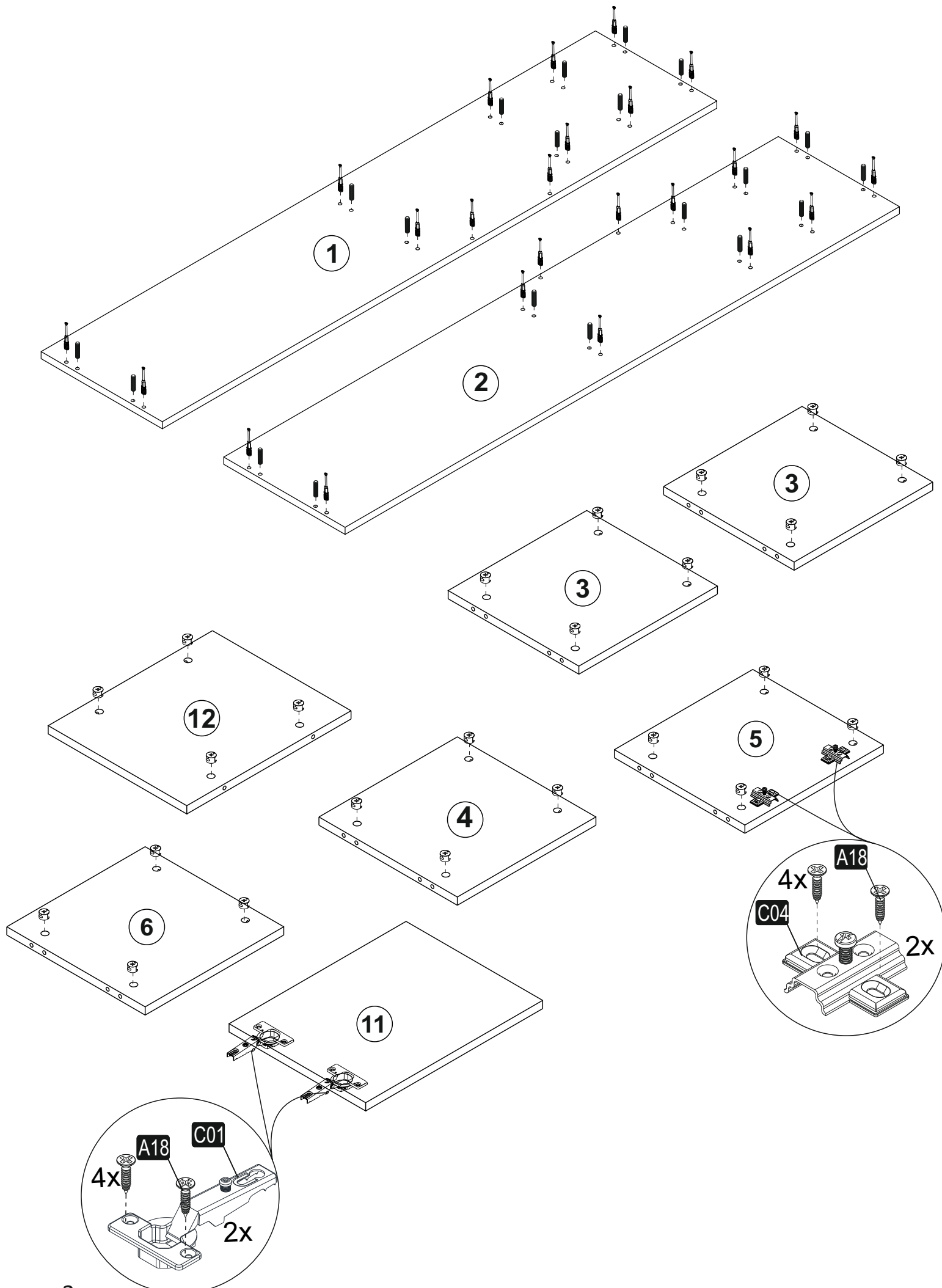
ACCESSORY LIST

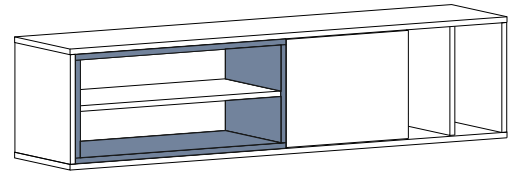
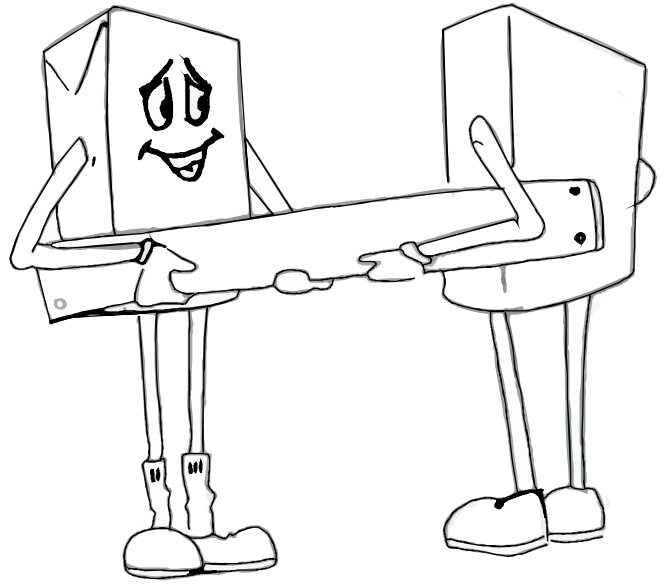
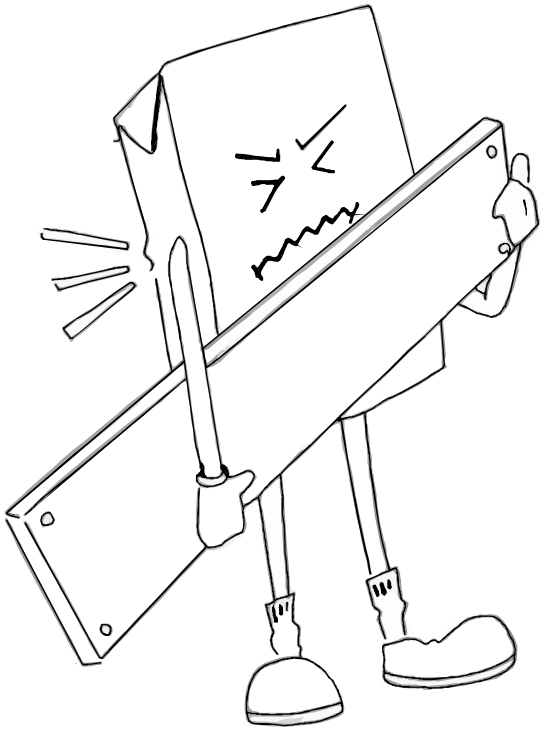
A23 Minifix M8  24x	A22 Minifix G18  24x	A04 KVLV 8x30  20x	A13 50 mm  8x	A06 18 mm  R1=12x R2=24x
C01 DM  2x	C04 MA  2x	A12 4 SW  1x	A69 10cm  5x	A18 3,5x18  13x
A41 3,5x30  4x	A65 RP  4x	A34 3,5x25  25x		

1	1x	1600	350	18
2	1x	1600	350	18
3	2x	350	350	18
4	1x	350	330	18
5	1x	350	330	18
6	1x	350	330	18
7	2x	770	350	18
8	1x	312	350	18
9	1x	312	350	18
10	1x	734	350	18
11	1x	447	345	18
12	1x	415	350	18

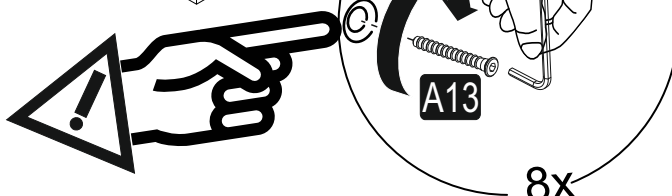
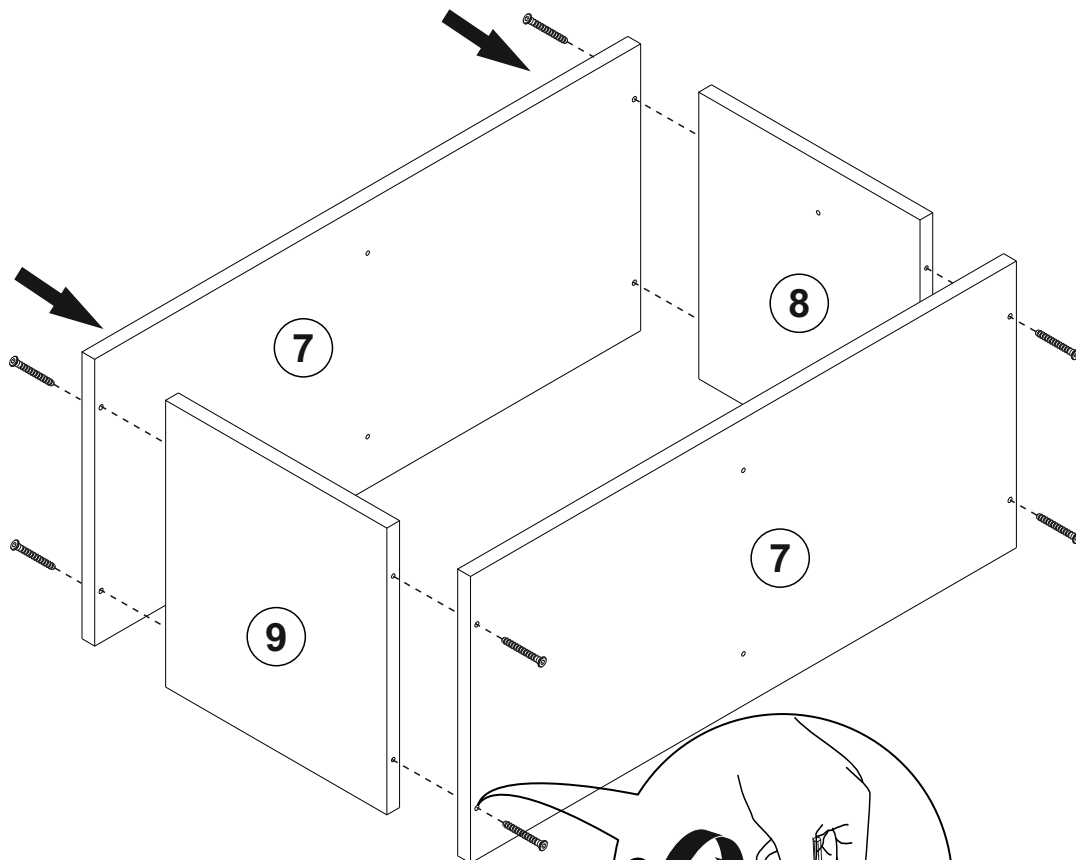
GENERAL VIEW



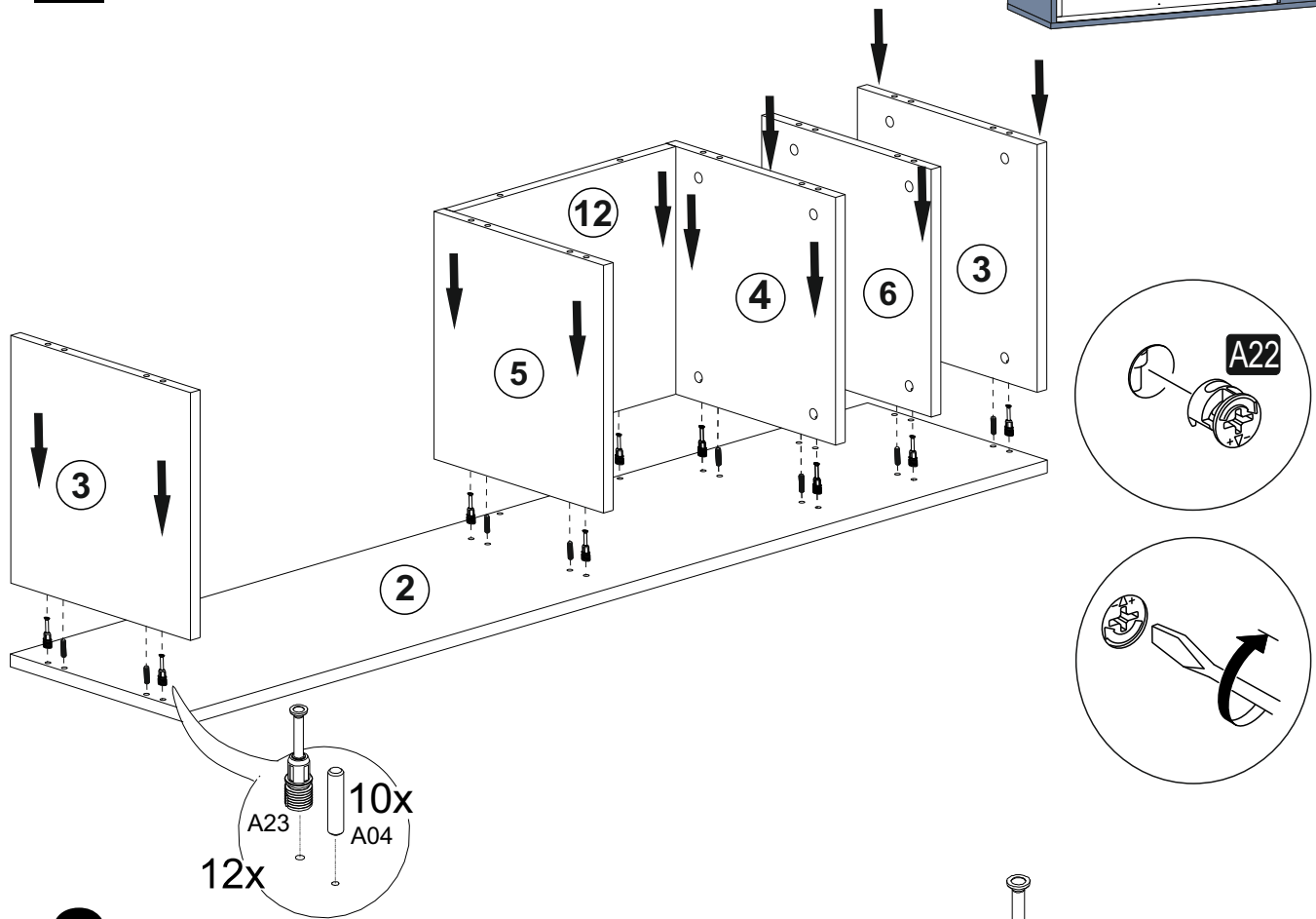
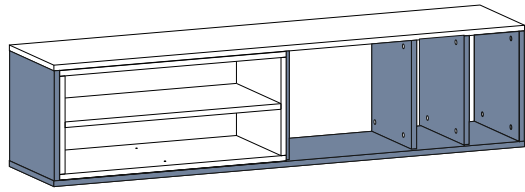




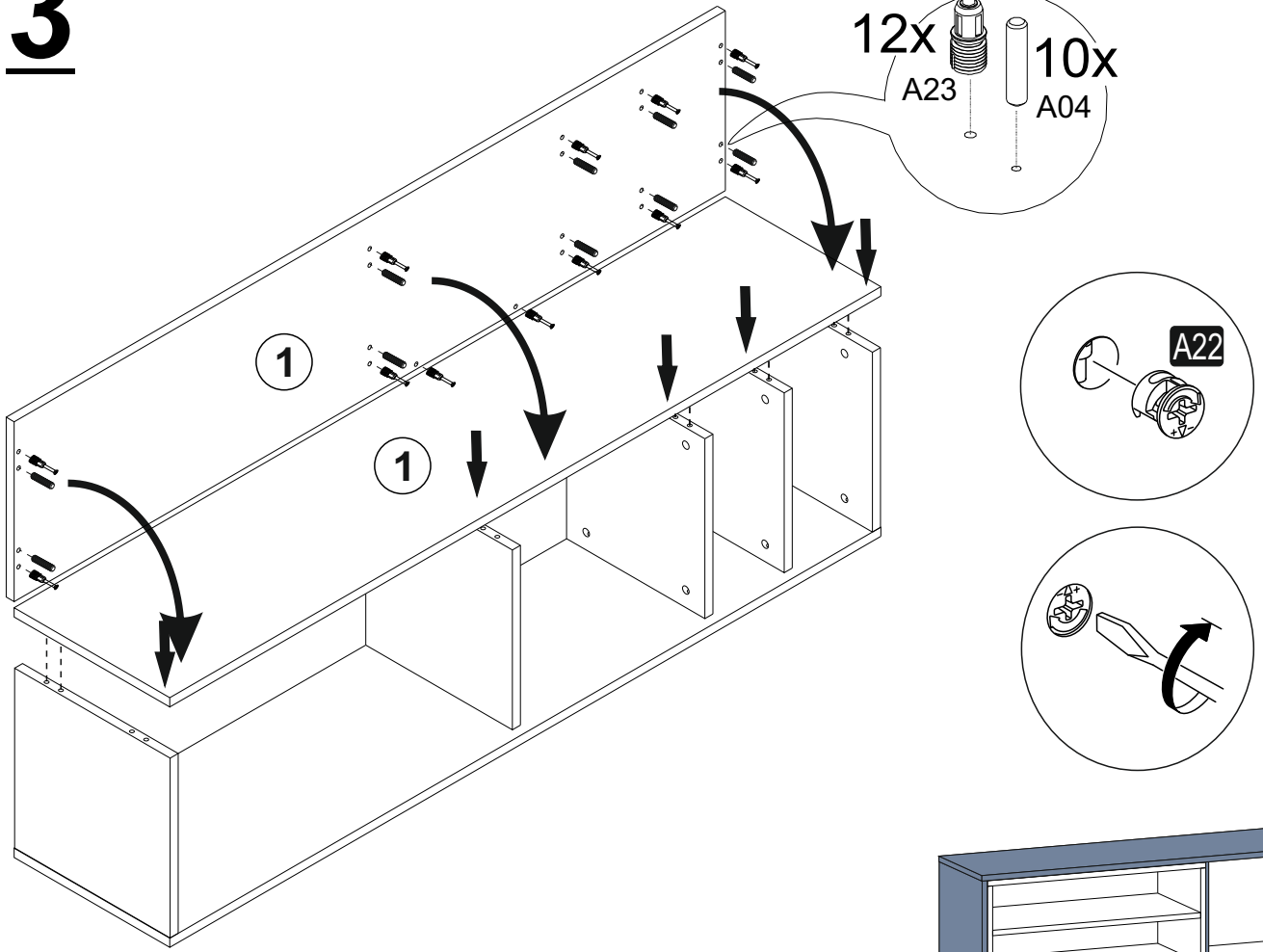
1



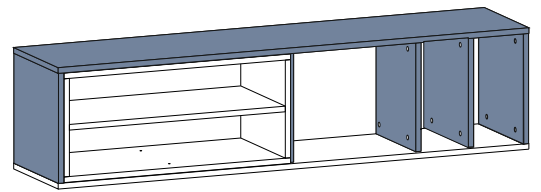
2



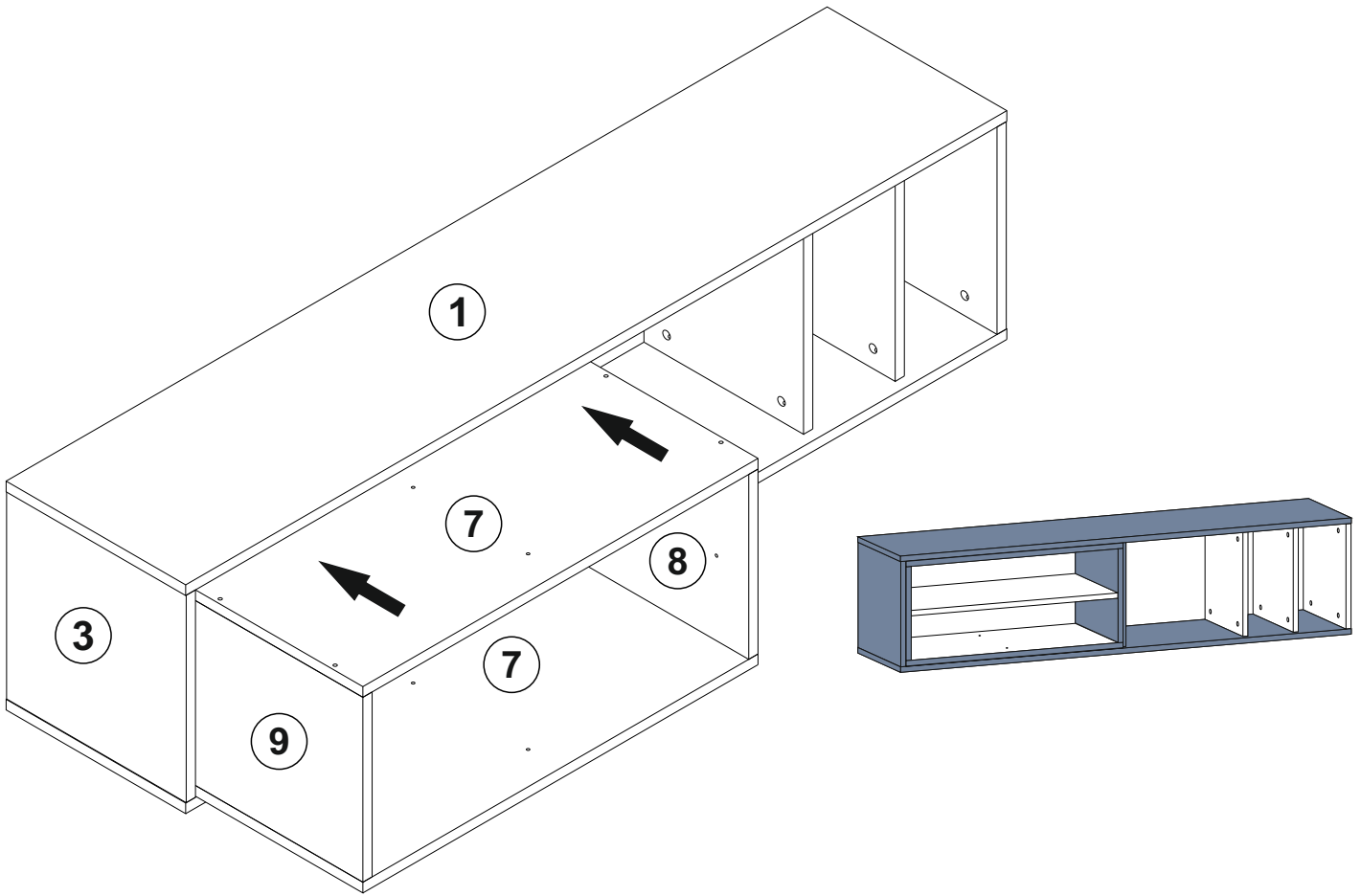
3



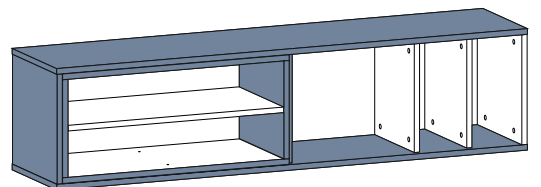
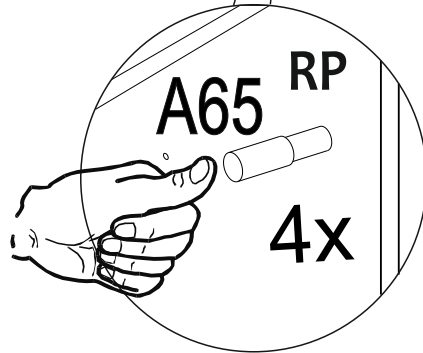
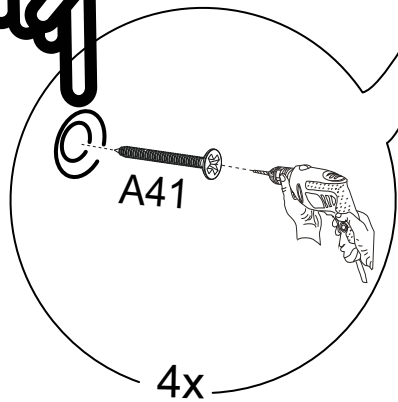
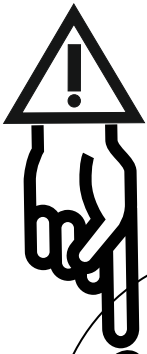
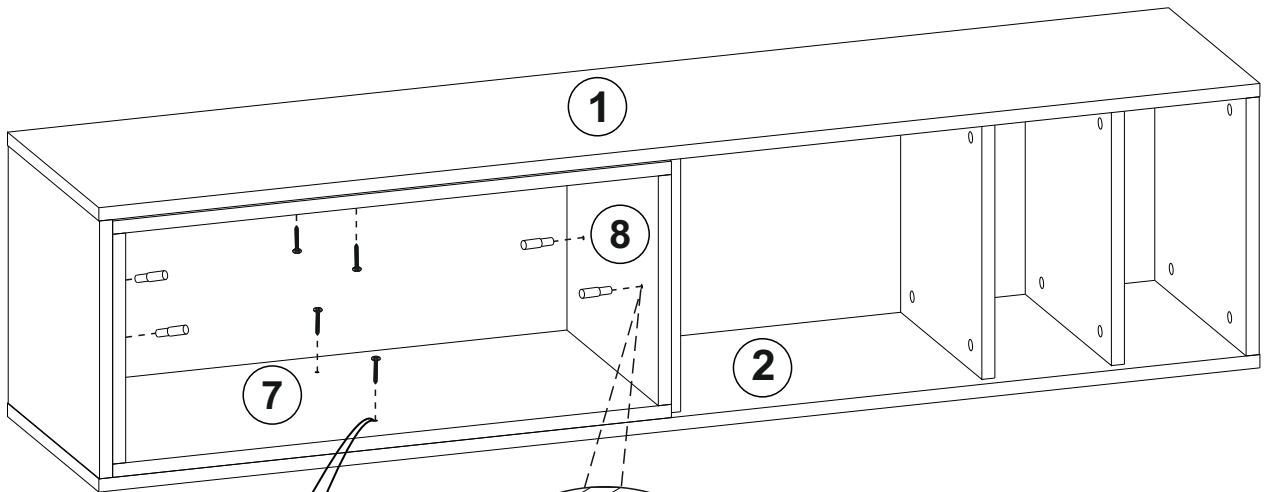
5



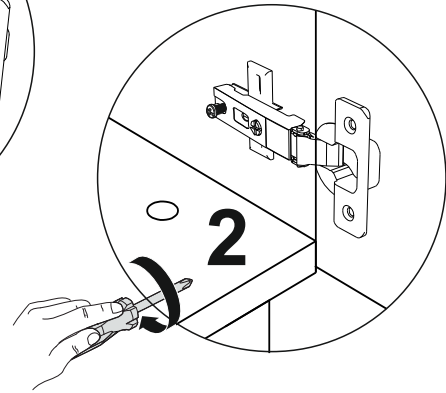
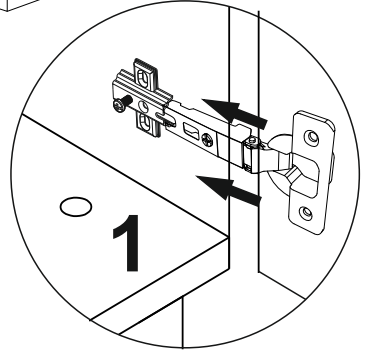
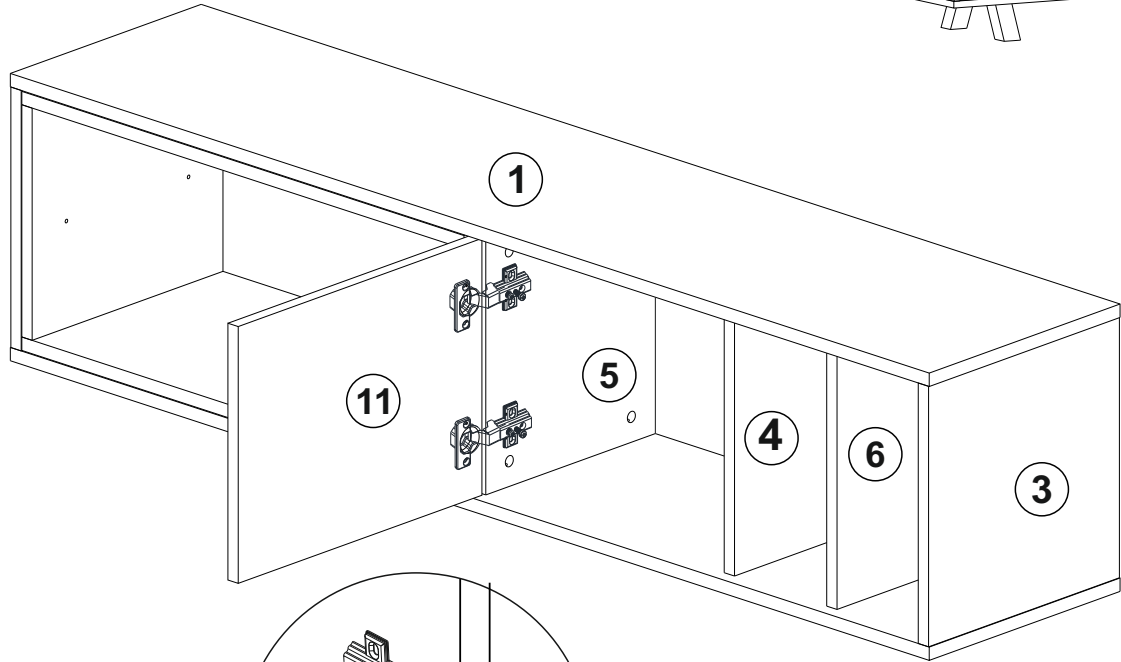
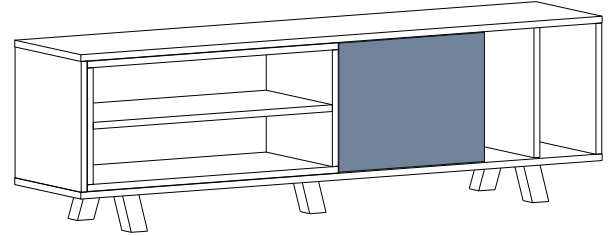
4



5



6



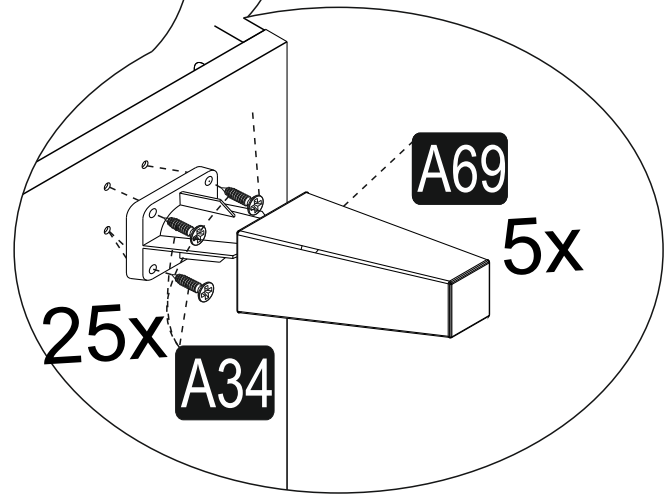
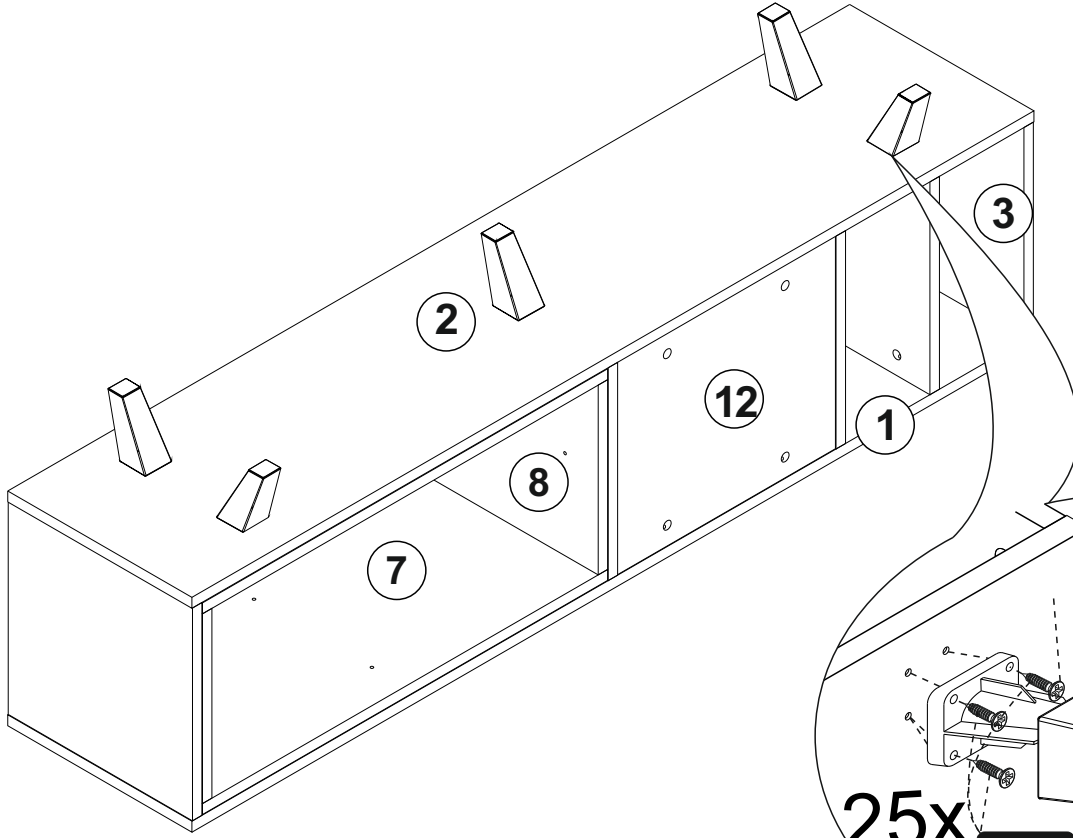
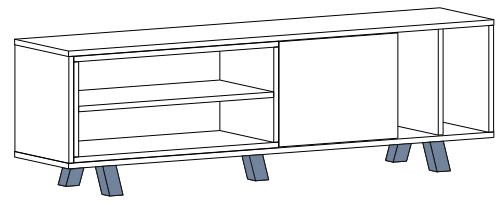
7

A= / to connect the hinge to the door
B= / to arrange the door

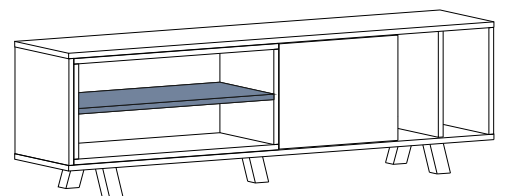
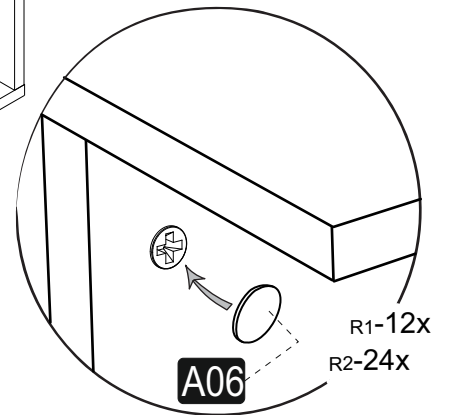
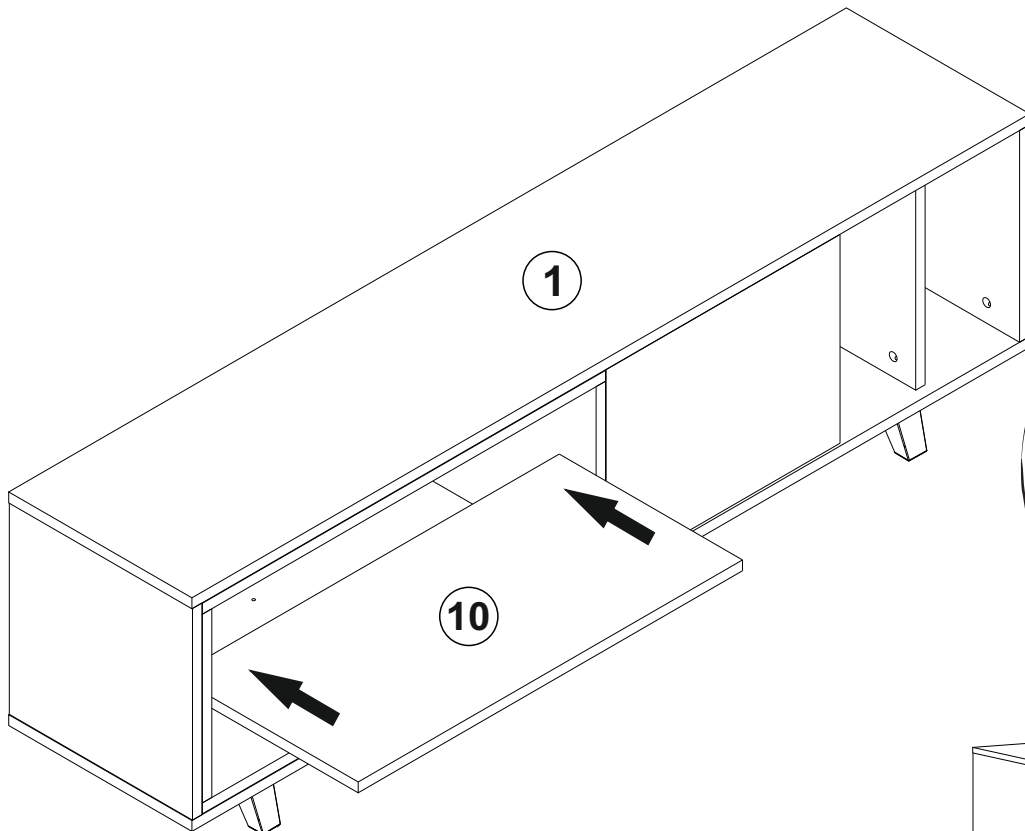
arrows to show the directions for arrangement of doors.

The diagram shows a detailed view of the hinge with labels A and B. It also includes three sequential illustrations of a screwdriver being used to adjust the hinge, with arrows indicating the direction of movement.

8



9





- This unit contains small parts which could be a choking hazard for small children. Children should be under adult supervision at all times.
- Do not overload the unit. Each shelf has a recommended capacity of 13 pounds, and the total weight on the unit should not exceed 39 pounds for wall shelves.
- Do not climb, step, or stand on the unit.
- Do not mount or attach items to the front, rear, or sides of the unit. This can cause the unit to become unbalanced and fall.
- Do not stack units.
- All units must be secured individually to wall studs using hardware provided. If wall studs are not accessible, consult your local hardware store for appropriate mounting hardware.
- We recommend you hand-tighten screws. Use care not to overtighten if using power tools. Follow proper safety procedures if using power tools and/or ladders.
- We recommend you protect your work surface during assembly to prevent scratching or damage to tabletops, wood floors, etc.
- Failure to follow the instructions listed here could result in bodily injury or damage to personal belongings. Use caution and follow safety procedures.