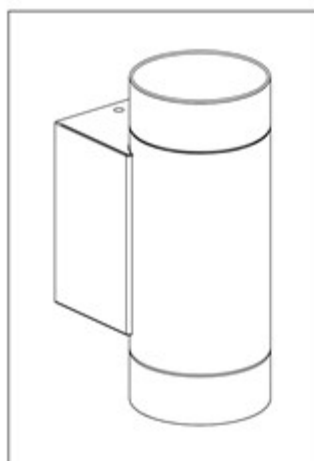


210X290MM

# PIPE Wall 2L

ART. No. 107916 & 107917



Markslojd AB  
Gränevägen 5 S-511 62 Skene  
Sweden  
[www.markslojd.com](http://www.markslojd.com)

