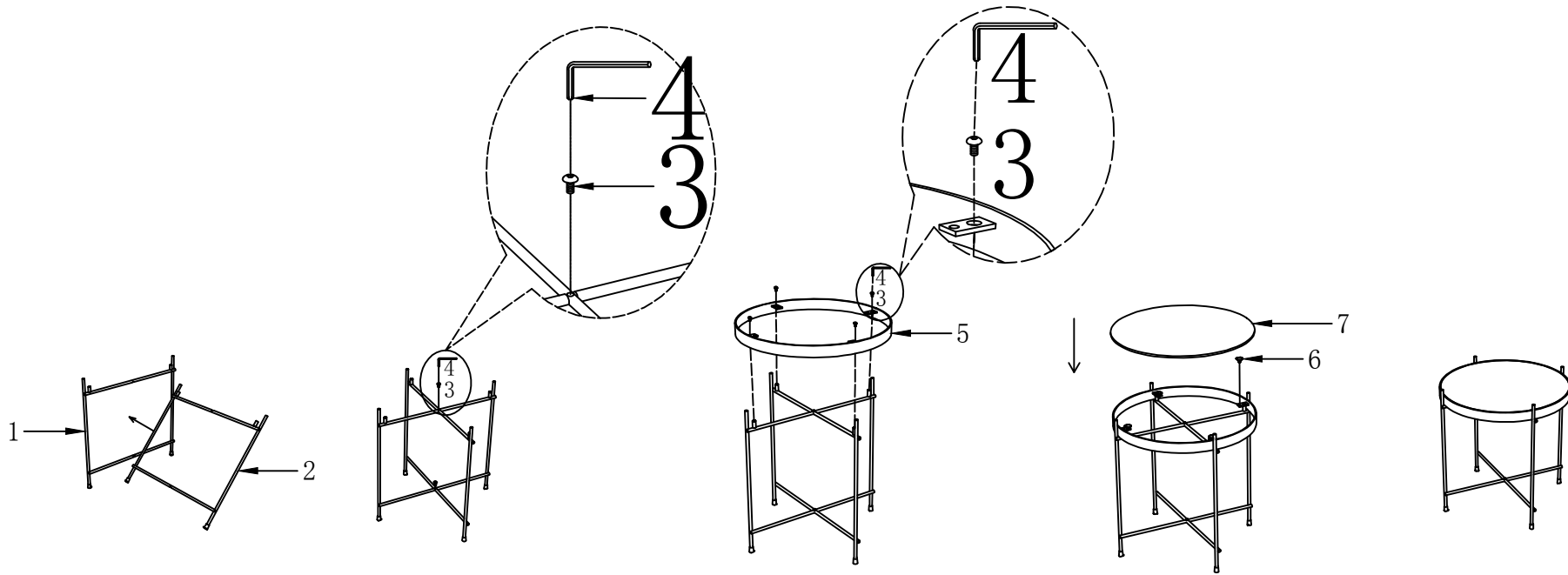
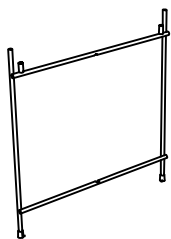


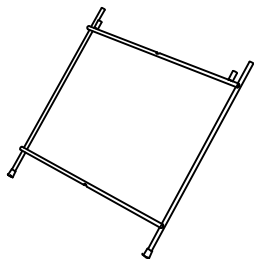
# 216 Tea table installation diagram



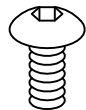
1、Several  
1 pc



2、Several  
1 pc



3、Screw  
M4\*10  
6 pc



4、Wrench  
S2.5  
1 pc



5、On the lap  
1 pc



6、Chnck  
Ø20\*12-Ø6.5  
4 pcs



7、Glass  
1 pc

